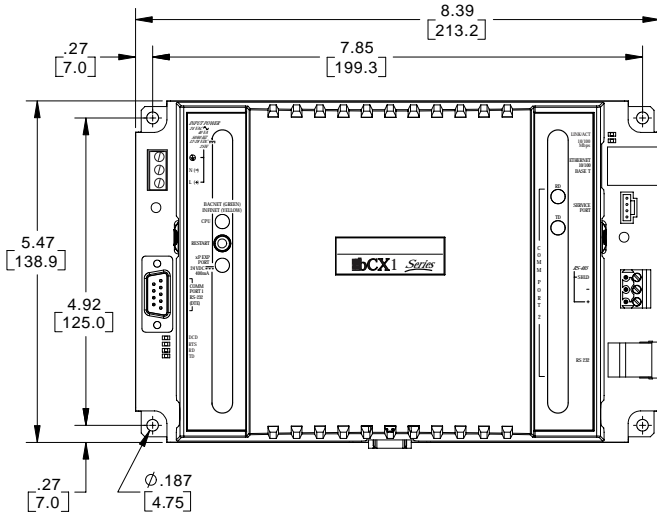
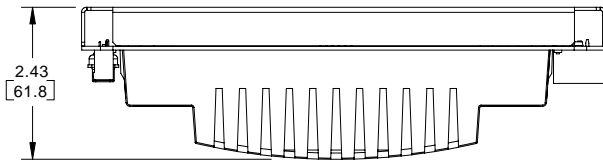


Mechanical



Schneider Electric

bCX1 Series Installation

30-3001-886 Rev D.1

Wiring Rules

This controller is intended for installation within the enclosure of another product.

For reliable input operation, follow these input wiring guidelines:

- Never lay wires across the surface of a printed circuit board.
- Wires should never be within 1 in. or 25 mm of any component on a printed circuit board.

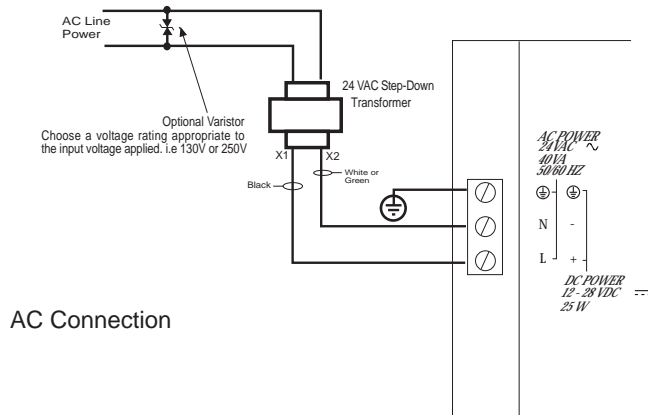
Grounding the Controller

To insure proper operation of the controller, it is imperative that it be connected to a good Earth ground. It is important that this connection be made as close to the module as possible.

Configuration

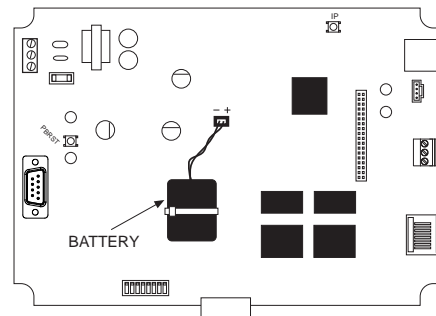
1. Disable DHCP, set the IP Address of your PC to 169.254.1.2
2. Connect a crossover cable from the Ethernet port to your PC
3. Run Web Browser, go to url <http://169.254.1.1>
4. Logon using default Schneider Electric username and password
5. Enter parameters on Web screen
6. After entering parameters, click the Commit Changes/Restart Controller button on the web screen.

DC Power & Battery Backup Connection



AC Connection

Battery Connection



BATTERY ENABLE

During shipment, the internal battery pack has been disconnected to prevent it from draining prior to installation. To activate the battery, remove the top of the plastic case to access the board, then plug the battery connector into the receptacle shown above.

BATTERY DISPOSAL/REPLACEMENT

Unit must be powered-down before replacing battery

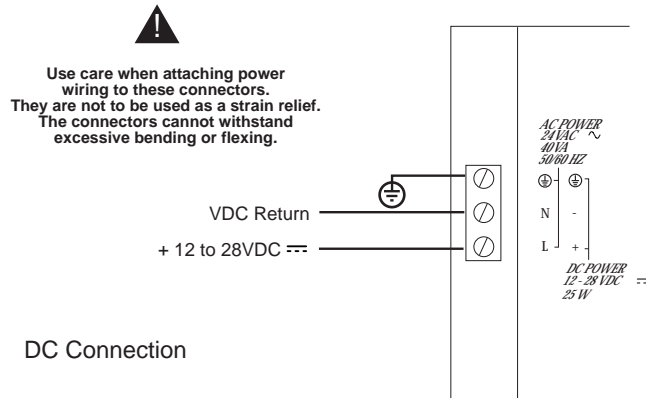
Overcharging, short circuiting, reverse charging, mutilation or incineration of the cells must be avoided to prevent one or more of the following occurrences: release of toxic materials, release of hydrogen and/or oxygen gas, rise in surface temperature.

If a cell has leaked or vented, it should be replaced immediately using protective gloves.

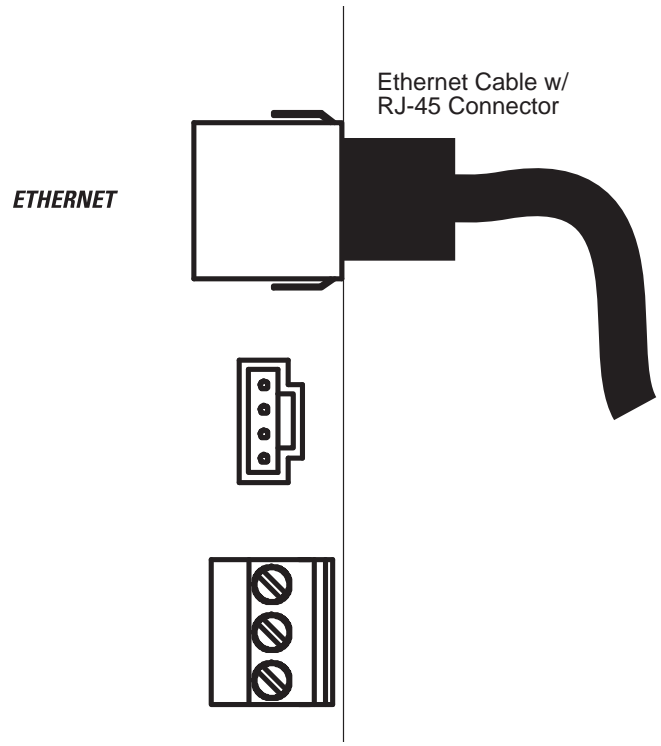
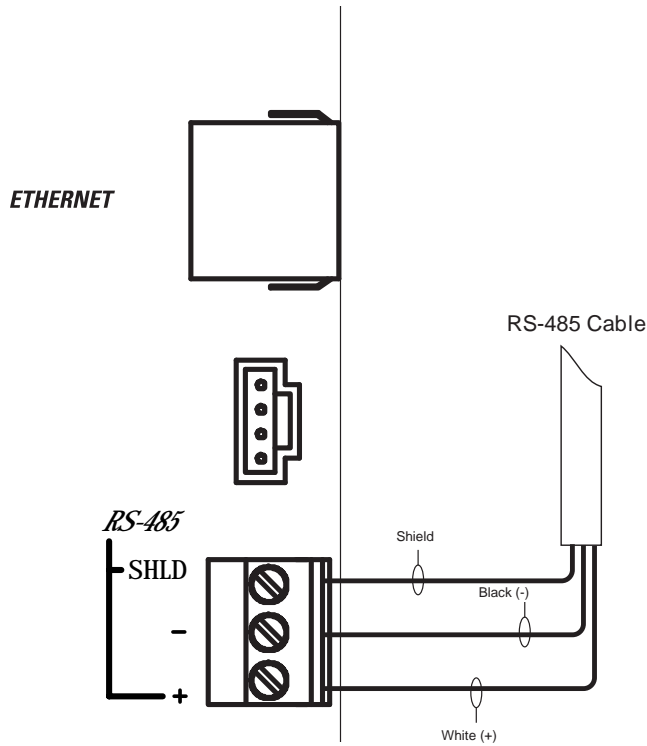
Replace with Schneider Electric Battery Part Number: BCX1-BAT-KIT. A fully discharged battery requires 33 hours to fully charge.

BATTERY VENTILATION

The cabinet in which the controller is mounted must provide adequate ventilation to allow for escape of any accumulation of any released gasses under normal conditions.



DC Connection

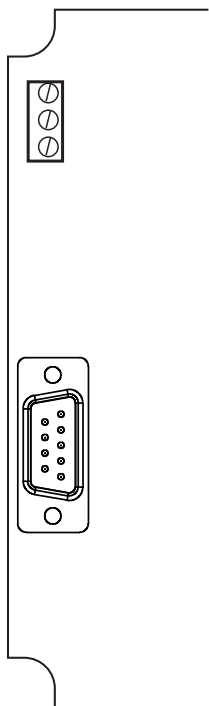
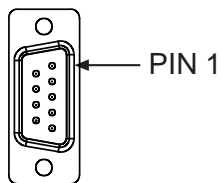


Warning: This product can expose you to chemicals including lead which is known to the State of California to cause cancer and which is known to the State of California to cause birth defects or other reproductive harm. For more information, go to www.P65Warnings.ca.gov

RS232 COMM Connections

COMM 1
RS-232 Connector

PIN	SIGNAL
1	DCD
2	RD
3	TD
4	DTR
5	Signal RTN
6	DSR
7	RTS
8	CTS
9	RI



COMM 2
RS-232 Connector

