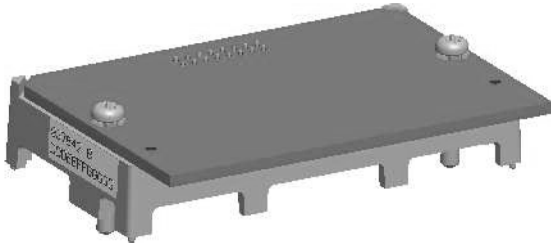


Kit Instructions

Accessory 11BE Kit 935147 Kit Installation ASCO® Series 300 Transfer Switches with a Group G Controller



Overview

These kit instructions explain how to install accessory 11BE Kit 935147 on Series 300 transfer switches with a Group G Controller.

Accessory 11BE is an advanced software bundle. Refer to **User's Guide 381333-400** for further information on this accessory.

The basic functions are:

Communication Under the *General* settings, a screen allows the user to configure *Communication* (RS485 port).

Programmable Exerciser Under the *Engine Exerciser* settings, a screen allows the user to configure the advanced exerciser.

Event Log Under the *Event Log* main menu, a screen allows the user to view events.

Common Alarm Under the *General* settings, a screen allows the user to configure *Common Alarms*.

The following functions are available when the 11BE bundle is applied to a 3 phase system.

3 Phase Emergency Sensing Will enable the controller to display all three line to line voltages for the emergency source on the display. No additional use enablement is required.

Phase Rotation Monitor Under the *features* menu the user will be allowed to enable the phase rotation monitor.

Emergency Source Unbalance Under the *features* menu the user will be allowed to enable emergency source unbalance.

Kit Contents

The accessory 11BE kit includes a dongle assembly:

- PC board with plug
- support frame
- two mounting screws with washers



Hazardous voltage capable of causing shock, burns, or death is used in this transfer switch. Deenergize both normal and emergency power sources before installing the kit.

Installation

1. Deenergize the transfer switch. Then open the enclosure door and verify that all power is off.
2. Locate the Group G controller that is mounted on the inside of the door. Do not remove controller cover. Refer to Figures 1, 2, 3, and 4.
3. Position the dongle (with plug at top facing inward) onto the lower left area of the controller. Align the plug and socket and push it straight inward. The four corners of the support base, and mounting screws should fit into holes in the controller. Gently tighten the two screws. Do not over tighten.
4. After installation, close the enclosure door. Reenergize the transfer switch.
5. Refer to **User's Guide 381333-400** for further information on this accessory.

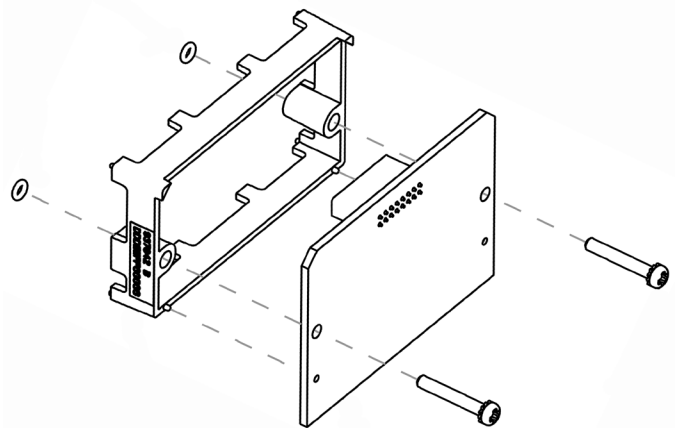


Figure 1. Accessory 11BE dongle kit.

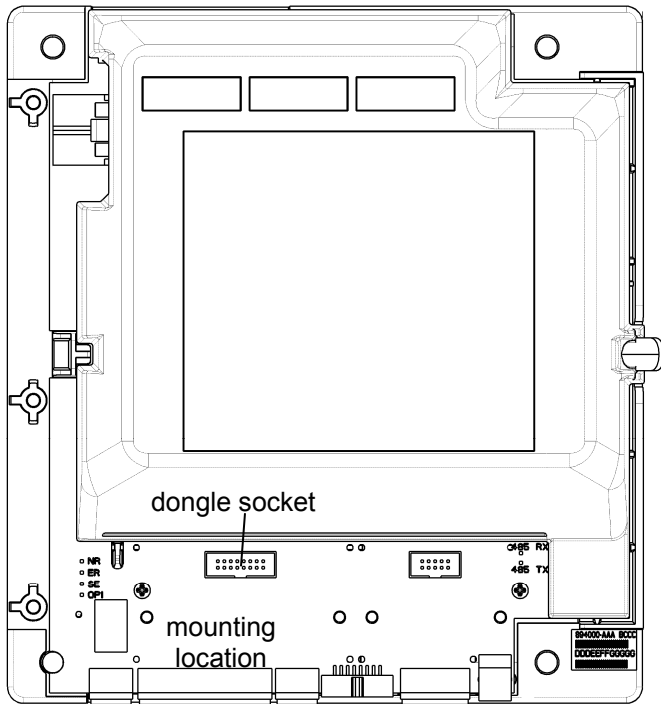


Figure 2. Mounting location on Group G controller.

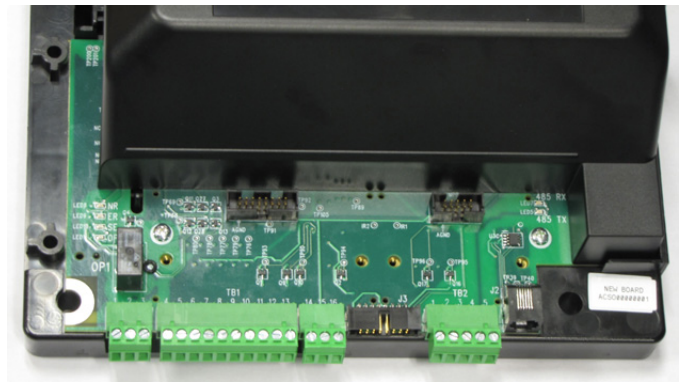


Figure 3. Detail of mounting location.

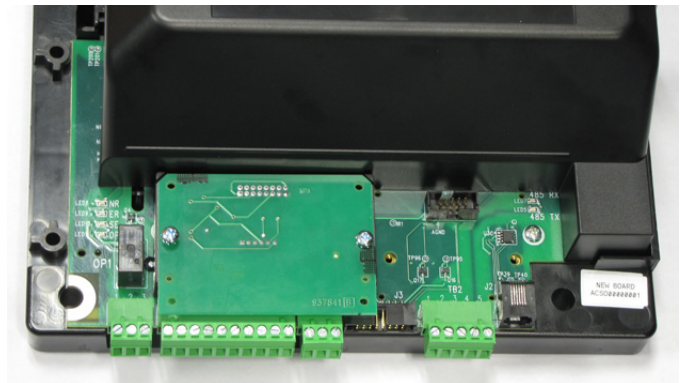


Figure 4. Detail of installed dongle.

Accessory 11BE Kit Installation Record

Accessory 11BE Kit Number _____

Installation Date _____

Transfer Switch Serial Number _____

Transfer Switch Catalog Number _____

Installer's Name _____

Installer's Company _____

Customer Name _____

Customer Company _____