



Model 570/575



Model 560/565

Model 575
Model 570
Model 565
Model 560

ASCO SURGE PROTECTIVE DEVICE INSTALLATION, OPERATION AND MAINTENANCE MANUAL

TABLE OF CONTENTS

UNPACKING AND INSTALLATION	4
Unpacking and Preliminary Inspection	4
Handling Considerations.....	4
Storage.....	4
LOCATION CONSIDERATIONS	4
Environment	4
Audible Noise	4
Service Clearances.....	4
Mounting	4
Warnings Defined	4
MODEL NUMBER CONFIGURATION	5
Operating Environment	5
Line Side versus Load Side Installation	5
ELECTRICAL CONNECTIONS	7
Voltage Ratings and Power Source Configurations.....	7
Wire Connections	7
Over Current Protection.....	7
NEC® Considerations.....	7
Voltage Protection Rating.....	7
Circuit Ampacity Limitations.....	8
System Grounding and Bonding.....	8
Grounding Electrode	8
Neutral Connection	9
Parallel Connection / Wire Diagram	9
INSTALLATION INSTRUCTIONS.....	9
Product Installation.....	10
Suggested Circuit Breaker and Wire Size – Model 570/560	11
Dimensional Information – Model 570/560	11
Suggested Circuit Breaker and Wire Size – Model 575/565	12
Dimensional Information – Model 575/565	12
MONITORING FEATURES	13
External Status Indicators (Standard)	13
Summary Alarm Contact (Standard)	13
Audible Alarm (Standard)	13
Single or Dual Transient Counter (Optional)	13
Test Feature (Optional).....	13
Active Surge Monitor (Optional)	13
TROUBLESHOOTING / SERVICING / MAINTENANCE	13
Troubleshooting.....	13
Servicing.....	14
Corrective Maintenance.....	14
Preventative Maintenance.....	14

UNPACKING AND INSTALLATION

Unpacking and Preliminary Inspection

1. Inspect the shipping crate(s) for damage or signs of mishandling before unpacking the unit.
2. Remove any securing bands and cardboard packing and inspect the unit for any obvious shipping damages.
3. If any damage as a result of shipping is observed, immediately file a claim with the shipping agency and forward a copy to your local ASCO Surge Protection Sales Representative.

Handling Considerations

Larger units are bolted to a shipping pallet to facilitate handling by forklift or pallet jack. Check the size and weight. Refer to the cabinet data furnished with the unit.

Storage

The unit should be stored in a clean, dry environment. Storage temperature range is -55°C (-67°F) to +85°C (+185°F). Care should be taken to avoid condensation. All packing and shipping materials should be left intact until the unit is ready for final installation. If the unit has been stored for an extended period of time, the unit should be cleaned and carefully inspected before placing into service.

LOCATION CONSIDERATIONS

For optimum transient surge protection, coordinated surge suppression should be applied at the service entrance and all other electrical connections to the building (telephone, CATV, etc.), at known surge generating loads within the building (large motors, arc welders, switched capacitors, etc.), as well as at sensitive electronic loads (such as computers, electronic appliances, solid state motor drives, etc.). For interconnected electronic loads (such as by way of data cabling), transient surge suppression should also be applied to the interconnecting wiring (data cables).

Environment

Unit is designed for operation indoors in ambient temperatures of -40°C (-40°F) to +60°C (+140°F) with a relative humidity of 0% to 95% (non-condensing).

The unit is provided in an industrial use enclosure, which is dust-tight and drip-tight and should not be installed in areas with excessive dust, corrosive vapors, flammable materials or explosive atmospheres.

Audible Noise

The audible noise of the unit is less than 40 dB at 5 feet, which allows its placement within almost any room if desired.

Service Clearances

Service clearance is needed for units with hinged doors on the front that are capable of being opened. Thirty-six inches (36 in/914 mm) minimum is recommended.

Mounting

Unit is intended to be wall mounted. Refer to installation instructions for mounting dimensions and weight.

Warnings Defined



Danger: Indicate[s] a hazardous situation which, if not avoided, will result in death or serious injury. The signal word “DANGER” is to be limited to the most extreme situations. DANGER [signs] should not be used for property damage hazards unless personal injury risk appropriate to these levels is also involved.

Danger: Indique une situation dangereuse qui, si elle n'est pas évitée, entraînera la mort ou des blessures graves. Le mot comme signal DANGER doit être limité aux situations les plus extrêmes. Les signes DANGER ne doivent pas être utilisés pour les risques de dommages à la propriété, sauf si le risque de blessures appropriées à ces niveaux est également impliqué.



Warning: Indicate[s] a hazardous situation which, if not avoided, could result in death or serious injury. WARNING [signs] should not be used for property damage hazards unless personal injury risk appropriate to this level is also involved.

Avvertimento: Indique une situation dangereuse qui, si elle n'est pas évitée, pourrait entraîner la mort ou des blessures graves. Les signes AVVERTIMENTO ne doivent pas être utilisés pour les risques de dommages à la propriété, sauf si le risque de blessures appropriées à ce niveau est également impliqué.



Caution: Indicate[s] a hazardous situation which, if not avoided, could result in minor or moderate injury. CAUTION [signs] without a safety alert symbol may be used to alert against unsafe practices that can result in property damage only.

Attention: Indique une situation dangereuse qui, si elle n'est pas évitée, pourrait entraîner des blessures mineures ou modérées. Les signes ATTENTION sans symbole d'alerte de sécurité peuvent être utilisés pour mettre en garde contre des pratiques dangereuses qui peuvent entraîner des dommages matériels seulement.

MODEL NUMBER CONFIGURATION

Model

1 2 3 4 5 6 7 8 9 10 11 12 13 14 15 16

(1-3) Model

575 = Modular, SAD/MOV Hybrid,
R56 Approved

570 = Modular, SAD/MOV Hybrid

565 = Modular, MOV,
R56 Approved

560 = Modular, MOV

(4-7) Configuration & Voltage

See chart on next page

(8-10) Surge Rating Per Phase

P08 = 80kA

P37 = 375kA

P12 = 125kA

P40 = 400kA

P16 = 160kA

P50 = 500kA

P20 = 200kA

P75 = 750kA

P25 = 250kA

P1K = 1000kA

P32 = 320kA

(11) Modes of Protection

A = All Available Modes of Protection

B = Remove L-G mode

F = Remove L-G and N-G modes

(12) Connection Type

C = Wiring terminals/Compression
Lugs

T = Through-Door Disconnect Switch

R = Internal Disconnect Switch

(13) Monitoring Options

R = LED/Relay

A = LED/Alarm/Relay

C = LED/Alarm/Counter/Relay

D = LED/Alarm/Dual Counter/Relay

T = Active Surge Monitor

See "QS-70109" or "IO-70109"

(14) Enclosure

N = Caseless (open style)

G = Type 4 (metal)

H = Type 4X (Stainless Steel)

J = Type 4X (Plastic)

(15) UL 1449 Type

N = No UL 1449

1 = Type 1 Listed

2 = Type 2 Listed

A = Type 4 for use in Type 1

B = Type 4 for use in Type 2

(16) Accessories

0 = Standard

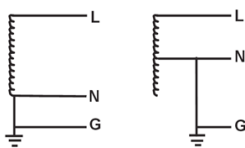
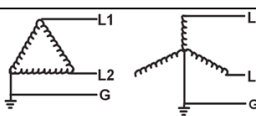
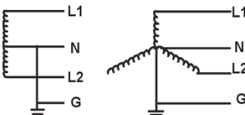
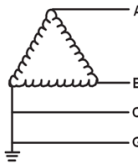
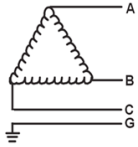
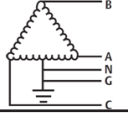
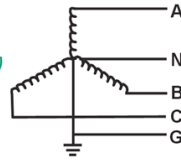
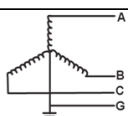
X = SPD with additional
Options/Accessories

UNITS THAT INCLUDE THE ACTIVE SURGE MONITOR OPTION

Refer to quick start guide
QS-70109 or manual IO-70109
for additional installation and
operation instructions.



CONFIGURATION & VOLTAGE CHART

Source Configurations		Nominal Operating Voltage (VAC)			Voltage/Configuration Code (4-7) (prior code)
		L-N Voltage	L-G Voltage	L-L Voltage	MODEL NUMBER CODE
		Single Phase	2W+G (L, N, G) 	120V	120V
127V	127V			"127N" (NA)	
230V	230V			"230N" (NB)	
240V	240V			"240N" (NB)	
277V	277V			"277N" (NC)	
347V	347V			"347N" (ND)	
2W+G (L1, L2, G) 	N/A		240V	240V	"240L" (LB)
	400V		400V	"400L" (LE)	
	480V		480V	"480L" (LF)	
	600V		600V	"600L" (LG)	
3W+G (L1, L2, N, G) 	120V	120V	208V	"120S" (SA)	
	127V	127V	220V	"127S" (SA)	
	230V	230V	400V	"230S" (SB)	
	240V	240V	415V	"240S" (SB)	
	277V	277V	480V	"277S" (SC)	
Three Phase DELTA	Corner Grounded DELTA (L1, L2, L3, G) 	N/A	0V, 240V	240V	"240C" (DB)
			0V, 380V	380V	"380C" (DE)
			0V, 400V	400V	"400C" (DE)
			0V, 415V	415V	"415C" (DE)
			0V, 480V	480V	"480C" (DF)
			0V, 600V	600V	"600C" (DG)
	Open/Ungrounded DELTA & Hi-Res Gnd WYE (L1, L2, L3) 	N/A	N/A	240V	"240D"
				380V	"380D"
				400V	"400D"
				415V	"415D"
480V				"480D"	
DELTA Hi Leg (L1, L2, L3, N, G) 	120V(A&C) 240V(B)	120V(A&C) 240V(B)	240V	"240H" (HB)	
	240V(A&C) 480V(B)	240V(A&C) 480V(B)	480V	"480H" (HB)	
Three Phase WYE	WYE, 4W+G (L1, L2, L3, N, G) 	120V	120V	208V	"120Y" (YA)
		127V	127V	220V	"127Y" (YA)
		230V	230V	400V	"230Y" (YB)
		240V	240V	415V	"240Y" (YB)
		250V	250V	440V	"250Y" (YC)
		277V	277V	480V	"277Y" (YC)
		347V	347V	600V	"347Y" (YD)
		WYE, 3W+G (L1, L2, L3, G) 	N/A	120V	208V
	230V			400V	"230X" (XB)
			277V	480V	"277X" (XC)

ELECTRICAL CONNECTIONS

All wiring must comply with the National Electrical Code (NEC®) and applicable local codes.

⚠ DANGER **DANGER!** ONLY QUALIFIED PERSONNEL SHOULD INSTALL OR SERVICE THIS SYSTEM. ELECTRICAL SAFETY PRE-CAUTIONS MUST BE FOLLOWED WHEN INSTALLING OR SERVICING THIS EQUIPMENT. TO PREVENT RISK OF ELECTRICAL SHOCK, TURN OFF AND LOCK OUT ALL POWER SOURCES TO THE UNIT BEFORE MAKING ELECTRICAL CONNECTIONS OR SERVICING.

DANGER! SEULEMENT LE PERSONNEL QUALIFIÉ DOIT INSTALLER OU MAINTENIR CE SYSTÈME. DES PRÉCAUTIONS DE SÉCURITÉ EN ÉLECTRICITÉ DOIVENT ÊTRE SUIVIS LORS DE L'INSTALLATION OU DE LA MAINTENANCE DE CET EQUIPEMENT. POUR EVITER TOUT RISQUE DE CHOC ÉLECTRIQUE, DÉBRANCHEZ ET VEROUILLER TOUTES LES SOURCES D' ALIMENTATION DE CET EQUIPEMENT AVANT DE LE BRANCHER OU LE MAINTENIR.

Voltage Ratings and Power Source Configurations

Before making connections to the unit, verify that the unit model number and nameplate voltage rating are appropriate for connection to the intended power source. See the chart for voltage rating applications with typical power source configurations.

Wire Connections

With parallel connection, the size of the wiring to the SPD unit is independent of the protected circuit's ampacity. NEC® Article 285-21(B) requires surge suppressor connecting conductors to be at least #14 copper or #12 aluminum. To reduce the wiring impedance to surge currents, it is recommended that the phase, neutral (if required), and ground conductors are twisted together and routed in the same raceway (conduit). Avoid any sharp bends in the conductors.

Overcurrent Protection

The SPD unit conducts practically no current under normal operation and only conducts very short duration transient surge currents.

NEC® Considerations

The following is from the National Electric Code 2008 Edition.

NEC® 285.21 Connections

NEC® 285.23 Type 1 SPDs. Shall be installed in accordance with 285.35 (A) and (B).

A. Installation. Type 1 SPD's shall be installed as follows:

1. Type 1 SPD's shall be permitted to be connected to the supply side of the service disconnect as permitted in 230.82(4) or
2. Type 1 SPD's shall be permitted to be connected in Type 2 locations as specified in 285.24.

B. At the service. When installed at the services, the grounding conductor of a Type 1 SPD shall be connected to one of the following:

1. Grounded service conductor
2. Grounded electrode conductor
3. Grounding electrode for service
4. Equipment grounding terminal in the service equipment

Voltage Protection Ratings

To obtain the voltage protection ratings (VPR's), as obtained by Underwriters Laboratory, Incorporated, in accordance with the Standard for Safety, Surge Protective Devices (SPD's), Standard 1449, Fourth

Edition, marked on this product, the wire size listed for each product must be utilized to connect the unit to your facilities' power grid. Connections made with conductors other than the wire size listed may result in different VPR's.

Circuit Ampacity Limitations

Representative samples of these products have been investigated by Underwriters Laboratories, Incorporated to withstand, without exposing live circuits or components at system voltages and fault currents up to 200,000 AIC, as described in the Standard for Safety, Surge Protective Devices (SPD's), Standard 1449, Fourth Edition.

System Grounding and Bonding

The performance and safety of any SPD system is dependent on proper grounding and bonding. Grounding is required for safety. Correct implementation also enhances equipment performance. Incorrect grounding can reduce or impede the SPD's operation. All electrical circuits to the SPD must include an equipment- grounding conductor as required by the NEC and local codes.

An insulated grounding conductor is required in addition to any metallic raceway, which may be used as a grounding conductor. For parallel-connected SPDs, the grounding conductor should be the same wire size as the associated power conductors.



UNGROUND POWER SYSTEMS ARE INHERENTLY UNSTABLE AND CAN PRODUCE EXCESSIVELY HIGH LINE-TO- GROUND VOLTAGES DURING CERTAIN FAULT CONDITIONS. DURING THESE FAULT CONDITIONS ANY ELECTRICAL EQUIPMENT, INCLUDING AN SPD, MAY BE SUBJECTED TO VOLTAGES WHICH EXCEED THEIR DESIGNED RATINGS. THIS INFORMATION IS BEING PROVIDED TO THE USER SO THAT AN INFORMED DECISION CAN BE MADE BEFORE INSTALLING ANY ELECTRICAL EQUIPMENT ON AN UNGROUNDED POWER SYSTEM. CONTACT FACTORY FOR UNGROUNDED APPLICATIONS.

ATTENTION – LES SYSTÈMES D'ALIMENTATION NON-MISES À LA TERRE SONT INTRINSÈQUEMENT INSTABLES ET PEUVENT PRODUIRE DES TENSIONS DE PHASE TRÈS ÉLEVÉES AU COURS DE CERTAINES CONDITIONS DE DÉFAUT. PENDANT CES CONDITIONS DE DÉFAUT TOUT ÉQUIPEMENT ÉLECTRIQUE, Y COMPRIS UN SPD (PROTECTEUR DE SURTENSION), PEUT ÊTRE SOUMIS A DES TENSIONS SUPERIEURES À LEURS VALEURS STANDARDS. CETTE INFORMATION EST FOURNIE À L'UTILISATEUR AFIN QU'UNE DÉCISION CORRECTE PEUT ÊTRE PRISE AVANT D'INSTALLER UN ÉQUIPEMENT ÉLECTRIQUE SUPPLÉMENTAIRE SUR UN SYSTÈME D'ALIMENTATION NON-MISE À LA TERRE. CONTACTER L'USINE POUR LES APPLICATIONS NON-MISES À LA TERRE.

Grounding conductors must be routed with the associated power conductors in the same raceway (conduit). When metallic raceways are used, adequate electrical continuity must be maintained at all raceway connections, particularly raceway terminations to the electrical enclosures.

The use of isolating bushings or other means to interrupt a metallic conduit run is a potential safety hazard and is not recommended.

Grounding Electrode

Surge protective devices do not discharge all surges to ground (earth). Surge protective devices can also divert the surge current back to its source to complete the electrical circuit.

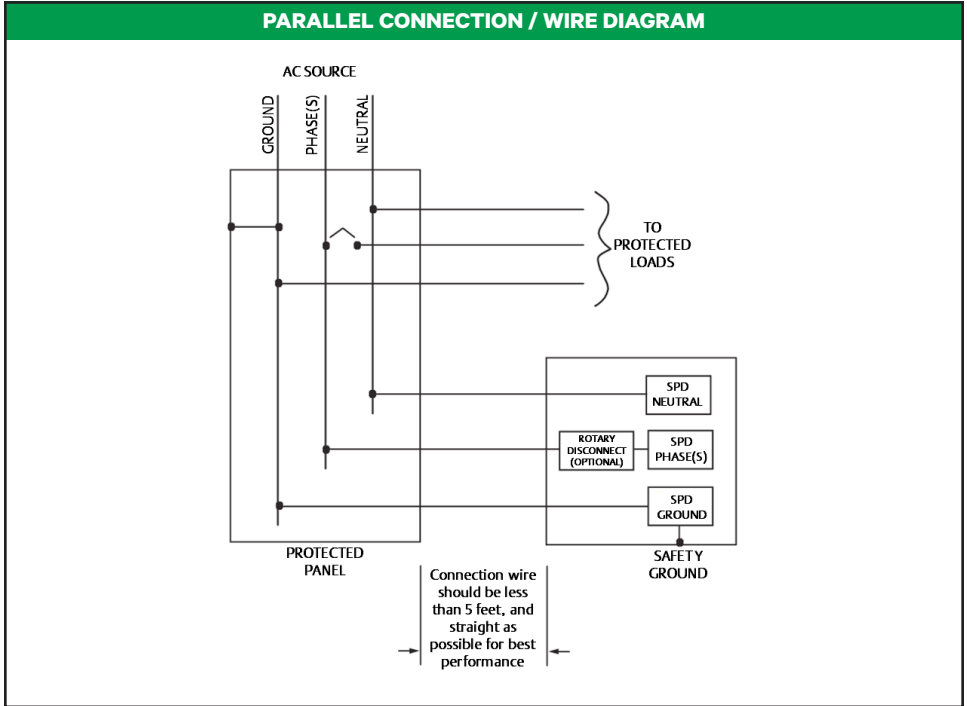
In the case of lightning whose potential is developed with respect to the earth, the SPD diverts the surge current to the grounding electrode (earth connection). However, for most transient surges that are developed by switching loads, the SPD diverts the surge current back to its source without involving the grounding electrode.

For proper SPD performance, the service entrance grounding electrode system must comply with the NEC by having all available electrodes (building steel, metal water pipe, driven rods, concrete encased electrodes, etc.) properly bonded together and connected to the power system grounding.

The use of a separate grounding electrode to ground the SPD defeats the effectiveness of the SPD, is a potential safety hazard, may cause equipment damage, is an NEC violation (reference NEC 250-51 and 250-54), and is not recommended.

Neutral Connection

NOTICE - FOR PROPER AND SAFE OPERATION, THE SPD'S NEUTRAL MUST BE RELIABLY CONNECTED TO THE NEUTRAL OF THE SOURCE. FAILURE TO PROVIDE A RELIABLE NEUTRAL CONNECTION MAY RESULT IN FAILURE!



The ASCO Models 575/570/565/560 Surge Protective Devices (SPDs) are high quality, high energy surge current diversion systems designed to protect sensitive equipment from damaging transient voltage surges. Proper installation is required for maximum system performance.

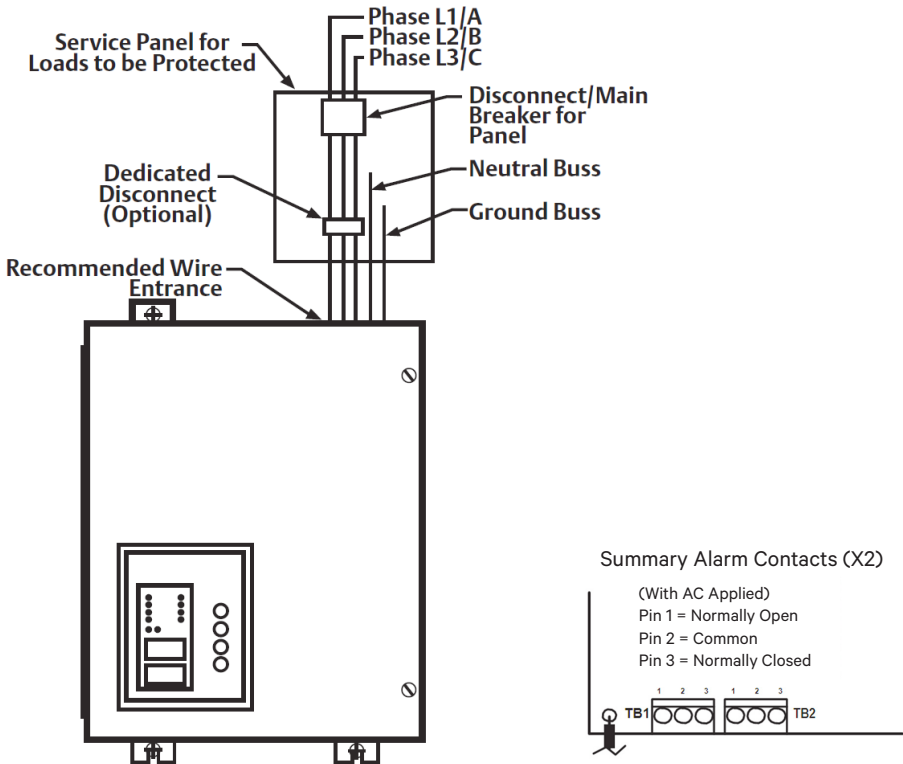
The installer should perform the following steps to assure a quality installation. The entire installation manual should be read before starting installation. These instructions do not replace national or local electrical codes. Check applicable electrical codes to ensure compliance. Installation of the SPD system should only be performed by qualified personnel.

1. Insure that all power is removed before beginning installation. A qualified licensed electrician shall install all electrical connections.
2. The standard SPD is provided in a NEMA 4 (570/560) or NEMA 4X (575/565) rated enclosures suitable for use in indoor or outdoor installations.
3. Determine where the SPD is to be mounted, allowing for minimum length of wire between itself and

the input power terminals of the service panel. Punch or cut the proper hole size in the side of the SPD closest to the knockout to be utilized in the service panel. Drill mounting holes in wall at location picked for SPD next to service panel using mounting dimensions shown in the table below. Mount surge suppressor to wall using 3/8" mounting hardware.

4. Connect black wires (line or phase) marked L1/A, L2/B or L3/C, the white wire (neutral) marked N, and the green wire (ground) marked G, of the SPD using the wire range listed below. To yield the best performance of the SPD within the electrical distribution system, keep all conductors as short as possible and avoid sharp bends.
5. Connection to the unit's summary alarm contacts shall be with #18 – 22 AWG. The ratings of the Form 'C' contacts are 5 amps at 250 VAC maximum with a power factor of 1.0. For additional information, see "Monitoring" section.
6. Apply power. The surge protector is fully operational when the GREEN LED's on the modules and the front door of enclosure are illuminated. If the GREEN LED's are extinguished or a RED LED is illuminated, check to ensure that power is applied to the SPD. If an abnormal indication is present, remove power to the SPD and contact ASCO Surge Protection at 1-800-237-4567 or 1-727-535-6339.
7. Periodically monitor the status of the LED's. Reduced protection exists if the GREEN LED's are extinguished or the RED LED is illuminated. Please contact ASCO Surge Protection at 1-800-237-4567 or 1-727-535-6339.
8. The protection modules in these SPD's may be replaceable, contact ASCO Surge Protection for replacement.

NOTICE - If the SPD model is configured to include a neutral connection ("Y", "H", "S", "N"), and a Neutral connection is not available, please contact factory.



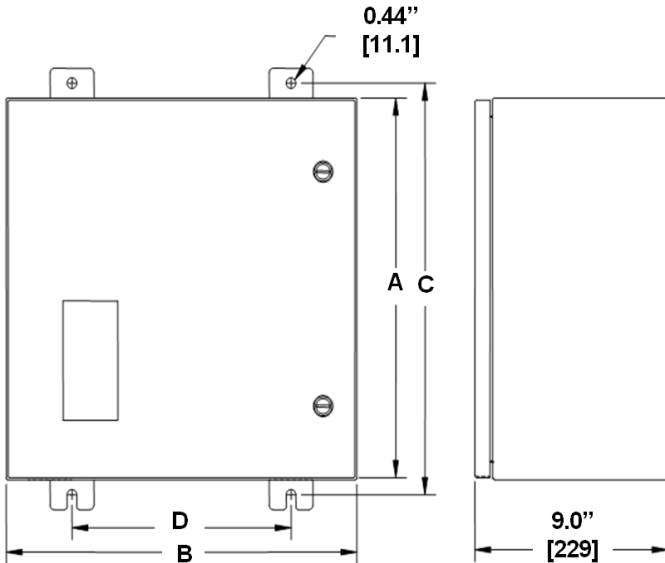
Model 570/560

Suggested Circuit Breaker And Wire Size – Model 570/560

Surge Rating Per Mode	Allowable Range				Factory Suggested Size	
	Circuit Breaker Size		Connection Wire Size		Circuit Breaker Size	Connection Wire Size
	With Disconnect	With Compression Lugs	With Disconnect	With Compression Lugs		
80kA-125kA	40A-150A	15A-175A	#8-1/0	#14-2/0	60 Amp	#6 AWG
160kA-200kA					80 Amp	#4 AWG
300kA-375kA					80 Amp	#4 AWG
500kA					100 Amp	#2 AWG

Dimensional Information – Model 570/560

Series	Surge Rating Per Mode	Connection Type	A	B	C	D	Weight
Model 570	125kA	Compression Lug (N)	16" (406)	12" (305)	17.25" (438)	9.5" (241)	35 lb. (15.9 kg)
		Rotary Disconnect (R)	16" (406)	16" (406)	17.25" (438)	10" (254)	45 lb. (20.4 kg)
	Compression Lug (N)	21.25" (540)			55 lb. (24.9 kg)		
	160kA-200kA	Rotary Disconnect (R)	20" (508)	16" (406)	21.25" (540)	10" (254)	55 lb. (24.9 kg)
		Compression Lug (N)	20" (508)	20" (508)	21.25" (540)	14" (356)	80 lb. (36.3 kg)
	Rotary Disconnect (R)	24" (610)			18" (457)		90 lb. (40.8 kg)
Model 560	80kA-125kA	Compression Lug (N)	16" (406)	12" (305)	17.25" (438)	9.5" (241)	35 lb. (15.9 kg)
		Rotary Disconnect (R)	16" (406)	16" (406)	17.25" (438)	10" (254)	45 lb. (20.4 kg)
	Compression Lug (N)	21.25" (540)			55 lb. (24.9 kg)		
	160kA-250kA	Rotary Disconnect (R)	20" (508)	16" (406)	21.25" (540)	10" (254)	55 lb. (24.9 kg)
		Compression Lug (N)	20" (508)	20" (508)	21.25" (540)	14" (356)	85 lb. (38.6 kg)
	Rotary Disconnect (R)	24" (610)			18" (457)		95 lb. (43.1 kg)
	300kA-375kA	Compression Lug (N)	20" (508)	20" (508)	21.25" (540)	14" (356)	85 lb. (38.6 kg)
		Rotary Disconnect (R)			24" (610)		18" (457)
500kA	Compression Lug (N)	20" (508)	20" (508)	21.25" (540)	14" (356)	85 lb. (38.6 kg)	
	Rotary Disconnect (R)			24" (610)		18" (457)	95 lb. (43.1 kg)



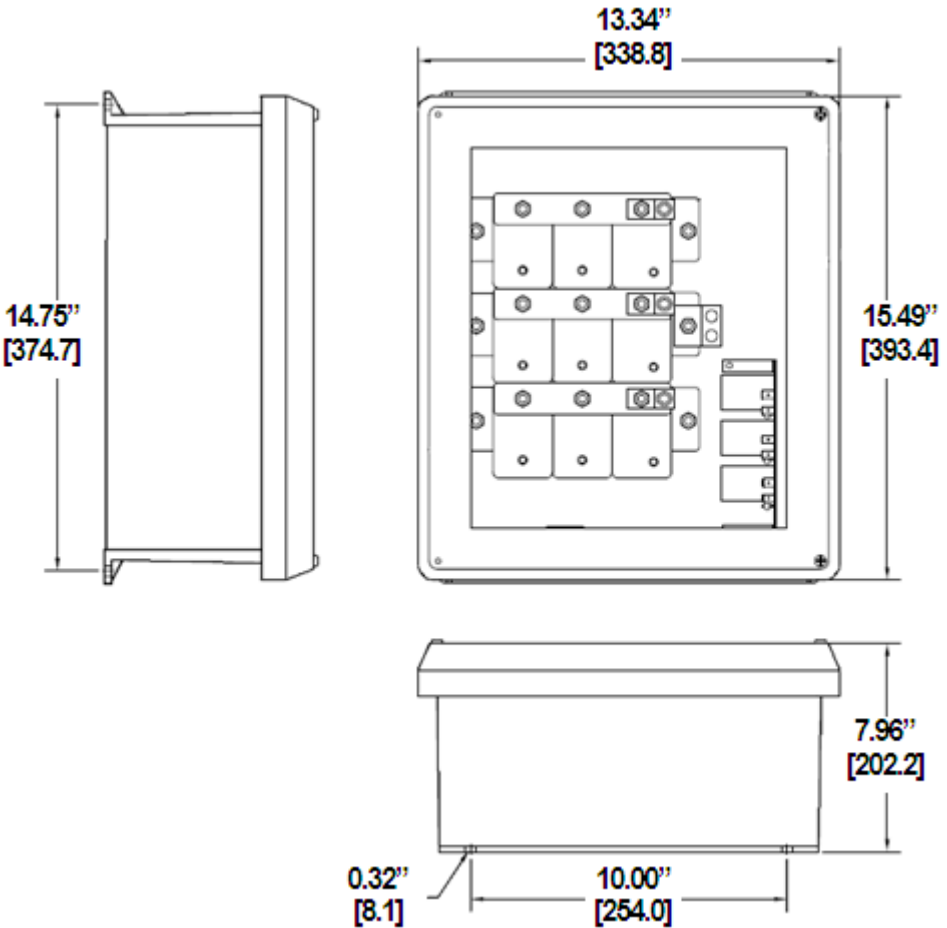
Model 575 / Model 565 - Motorola R56 Approved Models

Suggested Circuit Breaker And Wire Size - 575/565 Series

Surge Rating Per Mode	Allowable Range		Factory Suggested Size	
	Circuit Breaker Size	Connection Wire Size	Circuit Breaker Size	Connection Wire Size
All Model 575 & Model 565	15A-175A	#14-2/O	80 Amp	#4 AWG

Dimensional Information - Model 575/565

Model Number	R56 Type	Weight
575120SP16FCRJ10	Type 1 (MOV/SAD Hybrid)	28 lb. (12.7 kg)
575120YP16FCRJ10	Type 1 (MOV/SAD Hybrid)	32 lb. (14.5 kg)
565120SP16FCRJ10	Type 2 (MOV Only)	24 lb. (10.9 kg)
565120YP16FCRJ10	Type 2 (MOV Only)	28 lb. (12.7 kg)



MONITORING FEATURES

External Status Indicators (Standard)

These indicators provide a summary of the status of the surge SPD module. For normal conditions, the green “OK” LED is illuminated and the red “Service” LED is extinguished. If the surge SPD module requires replacement, the green “OK” LED is turned off and the red “Service” LED illuminated.

Summary Alarm Contact (Standard)

Two sets of summary alarm Form C relay contacts (2 N.O. and 2 N.C.) are provided for remote indication of the failed surge SPD module. Contacts are rated 5 amps at 250 VAC maximum with a power factor of 1.0. Access to the contacts is provided via contact terminals located on the printed circuit board mounted on the inside of the unit’s cover.

Audible Alarm (when included)

If the surge SPD module requires replacement, an audible alarm is activated to draw attention to the fact that repair service is required to restore the system to normal operation. An audible alarm disable is provided to silence the alarm. The system will automatically reset itself after repair. The audible alarm switch and “Service” LED can be tested by activating the “Test” switch on the system monitor panel.

Single/Dual Surge Counter (when included) – The surge counters are provided for transient voltage surge monitoring. The counter totalizes line surges monitored since the last time the counter was reset. The circuit counts all surges that deviate from the line sine wave. The factory setting is 30% over nominal line voltage. Other settings include 50%, 70%, and 100%.

“Test” Feature (when included)

The SPD Test feature will perform a self check of every individual fuse link within the SPD to determine the % of remaining protection. If any 2 Red indicators are on at the same time during the test, the unit is functioning at <100%. This status does not indicate that the unit is in need of repair.

Active Surge Monitor (Optional)

A web-based monitoring device allowing real time power quality measurements, logged events, statistical summaries and premium power protection. Understanding the severity, type and timing of the event allows you to analyze trends and ultimately better manage your electrical system. (See IO-70109 for further information)

TROUBLESHOOTING/SERVICING MAINTENANCE

Troubleshooting

If status failure indication occurs or summary alarm contacts have changed state, a qualified electrician shall first determine if the systems voltage and proper phasing exists.

If the SPD remains in an alarm condition once the electrician is satisfied that the electrical system and its connections are normal, the unit should be repaired.

At this point consult the factory, having available the following information:

- Model number and serial number detailed on the units’ data label (located on the front of the enclosure).
- Nature of problem – (including condition of all status indicators and alarms).

Servicing

The ASCO Models 575/570/565/560 include a ten year parts and five year labor warranty. For servicing assistance, contact your local Sales Representative or ASCO, Surge Protection at 1-800-237-4567 or 1-727-535-6339.

⚠ DANGER **DANGER!** ONLY QUALIFIED PERSONNEL SHOULD INSTALL OR SERVICE THIS SYSTEM. ELECTRICAL SAFETY PRE-CAUTIONS MUST BE FOLLOWED WHEN INSTALLING OR SERVICING THIS EQUIPMENT. TO PREVENT RISK OF ELECTRICAL SHOCK, TURN OFF AND LOCK OUT ALL POWER SOURCES TO THE UNIT BEFORE MAKING ELECTRICAL CONNECTIONS OR SERVICING.

DANGER! SEULEMENT LE PERSONNEL QUALIFIÉ DOIT INSTALLER OU MAINTENIR CE SYSTÈME. DES PRÉCAUTIONS DE SÉCURITÉ EN ÉLECTRICITÉ DOIVENT ÊTRE SUIVIS LORS DE L'INSTALLATION OU DE LA MAINTENANCE DE CET EQUIPEMENT. POUR EVITER TOUT RISQUE DE CHOC ÉLECTRIQUE, DÉBRANCHEZ ET VEROUILLER TOUTES LES SOURCES D' ALIMENTATION DE CET EQUIPEMENT AVANT DE LE BRANCHER OU LE MAINTENIR.

Corrective Maintenance

The ASCO Model 575/570/565/560 SPDs are designed for years of trouble-free operation. However, even the most reliable equipment may fail under abnormal conditions. Diagnostic indicators are provided to indicate when the unit needs repair or replacement. To ensure continuity of surge protection, failed units should be repaired or replaced at the earliest convenient service opportunity. When replacing surge modules, other components should be inspected for damage and replaced if necessary. Standard electrical troubleshooting procedures should be used to isolate problems other than failed surge current diverter modules. When replacing components, use identically rated components for continued proper operation and safety. Please contact factory for information on replacement parts.

Preventative Maintenance (Inspection and Cleaning)

Periodic system inspections, cleaning, and connection checks are recommended to ensure reliable system performance and continued surge transient protection.

It is difficult to establish a schedule for preventative maintenance since conditions vary from site to site. Inspections for failed surge modules using available diagnostics should be done routinely (weekly or monthly).

ASCO[®]

**14550 58th Street North
Clearwater, Florida 33760**

P (800) 237-4567

P (727) 535-6339

F (727) 539-8955

E customer care@ascopower.com

While every precaution has been taken to ensure accuracy and completeness in this literature, ASCO assumes no responsibility, and disclaims all liability for damages resulting from use of this information or for any errors or omissions.

IO-70100 RevH 03-18