

SIGMA PC BASIC

QUICK START GUIDE

Sigma PC basic is an abridged lightweight Windows® application for load banks with Sigma control.



WARNING!

READ THE LOAD BANK MANUAL BEFORE USE AND TAKE SPECIAL NOTE OF ALL SAFETY WARNINGS.

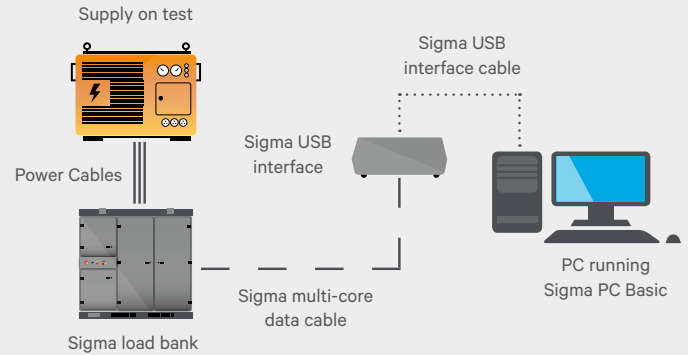
KEEP PEOPLE WELL AWAY. CLOSE ALL DOORS. ENSURE CABLES AND EARTHING ARE ADEQUATE. ENSURE A 4M GAP IS BETWEEN LOAD BANKS TO PREVENT HOT AIR RECIRCULATION. RISKS INCLUDE FIRE AND BURNS FROM THE HOT AIR OUTLET AND ELECTRIC SHOCK.

PREREQUISITE

Install and register the SIGMA PC Basic software.

1. LOAD BANK SETUP

You will need a Froment USB interface box to use this software. Connect the load bank to the USB interface box and then again to a USB port in your PC, tablet or laptop.



2. SETUP

The setup screen will appear on start-up. Use setup to configure the supply on test and ensure load banks are connected and ready to use. If not all load banks are displayed check the connections and ensure the com port selection is correct (see settings page) and click search.

TOP TIP

Need to change language? Go to settings to select a different language.

LOAD BANKS

Shown are the load banks in the network including the com port and station number, the capacities (resistive, inductive and capacitive) and the status of the load bank (see status screen).

COM:STN	kW	kVARL	kVARC	Status
1:1	100	0	0	●
1:2	100	0	0	●
1:3	100	0	0	●
1:4	100	0	0	●
1:5	100	0	0	●
1:6	100	0	0	●
1:7	100	0	0	●
1:8	100	0	0	●
1:9	100	0	0	●
1:10	100	0	0	●

SUPPLY ON TEST

Configure supply on test settings. This will enable working in percentage load. See nameplate for details.

CAPACITY

Total capacity is shown for the network. Use Primary to select the load bank the voltage and frequency source.

3. LOAD TEST


Once setup is complete you can now click the load test icon to move to the load test screen.

TOP TIP
Why not practice using the software before a real life test? In settings choose either a 480V, 60Hz or 400V, 50Hz simulation.

TOTAL LOAD BANKS
View and control all the load banks in the network.

SINGLE LOAD BANK
A shortcut to the view and control the last used load bank.

EXPORT
Use to export load test data. Open in spreadsheet software to view.



PRESET VALUES
Select a percentage of the supply on test load. (Adjust in settings).

LOAD SELECTION
Select type and amount of load required.

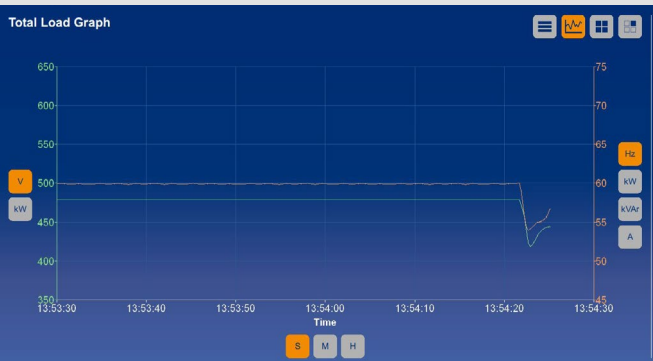
METERS
Change displayed instrumentation.

CONFIGURE LOAD SELECTION
Select what is displayed in the load selection.

ACCEPT & REJECT
Use to accept and reject selected load.

GRAPHICAL VIEW

The graph can be configured to show specific electrical parameters and time during the load test. Click the graph to reveal further load test information.



INDIVIDUAL LOAD BANK CONTROL

View and control any specific load bank in the network.

