

ENVIRONMENT CHARACTERISTICS

Protection level	Meets IEC 529 / NFC 20 010 : IP65 (front panel with seal).
-------------------------	--

Ambient temperature	Operating: 0°C to + 50°C Storage: from - 40°C to + 70°C
----------------------------	--

Humidity level	0 to 95 % no condensation
-----------------------	---------------------------

MECHANICAL CHARACTERISTICS

Mounting - Mode: Flush mount with mounting flange and seal and 4 clamps, mounting panel thickness (min. = 1.5 mm, max. = 6.0 mm),
- Direction: unimportant

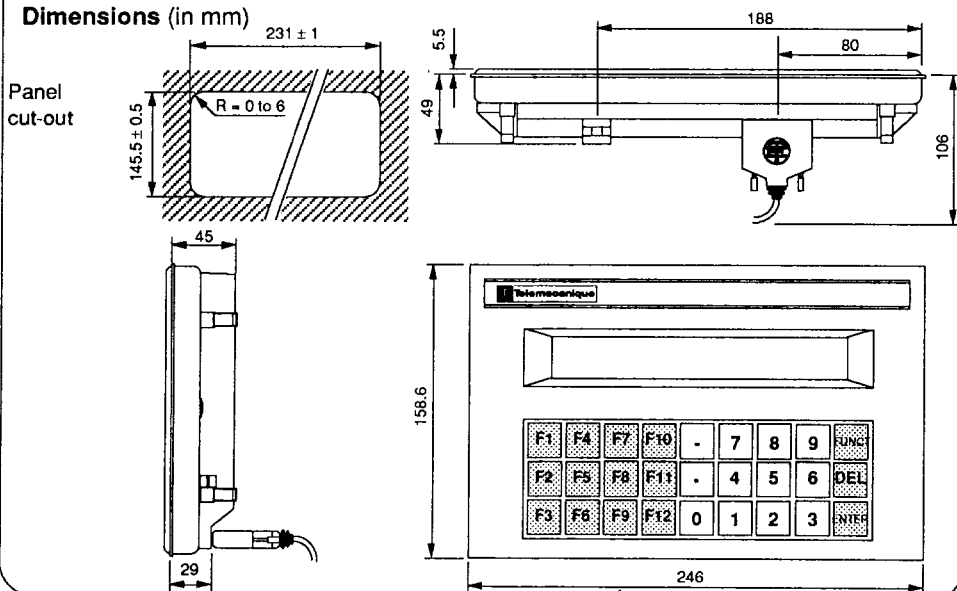
Case Black coated zink alloy, 5.5 mm thick (rear cover in bichromated steel).

Connections Power supply: 3-pin removable screw terminal block (5.08 mm size) Max. wire size: 1.5 mm²
Serial link: female 25-pin subminiature type HE 50 NFC 93 425 connector

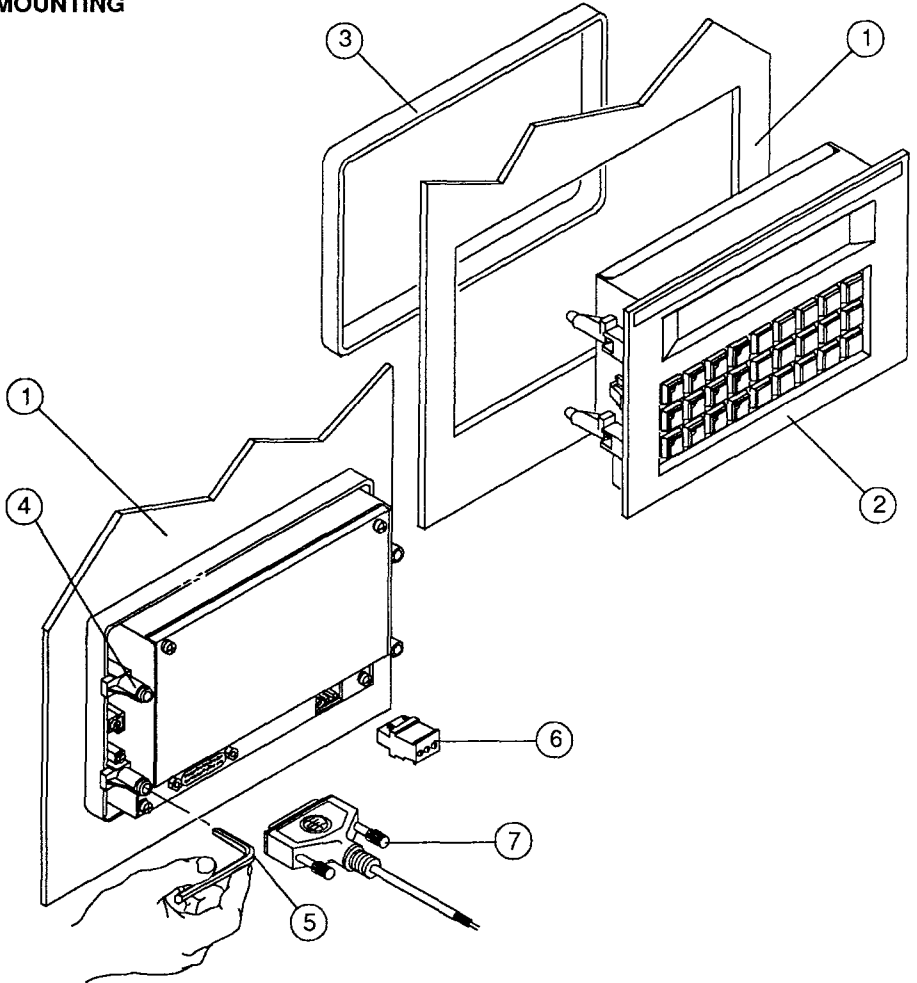
Impacts Meets IEC 68-2-27 Level 3

Vibration Meets IEC 68-2-6 in 3 axes.
1 g from 25 to 150 Hz / 2.5 g from 2 to 25 Hz

Weight 2.0 Kg (without mounting flange)
2.3 Kg (with mounting flange)

Dimensions (in mm)

MOUNTING



- | | |
|-------------------|-------------------------------|
| ① Mounting panel | ④ Mounting clamps |
| ② XBT-A Terminal | ⑤ Tightening wrench |
| ③ Mounting flange | ⑥ Unpluggable supply terminal |
| | ⑦ Serial link connector |

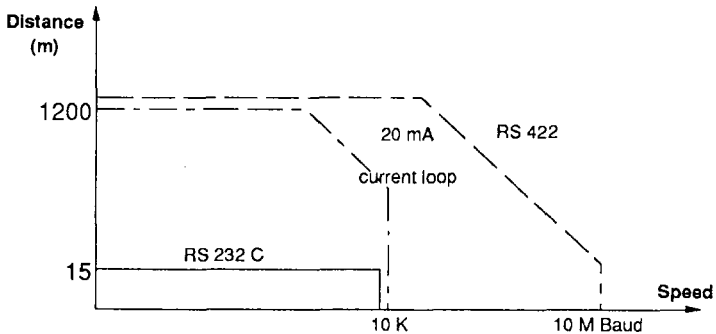
ELECTRICAL CHARACTERISTICS

Power supply	Rated voltage	24 V \pm
	Max. ripple	25 %
	Voltage limits (including ripple)	18 to 30 V \pm
	Max. power draw	10 W

Displays	Capacity	: 1 line of 16 characters
	Type	: fluorescent 14 segment (with decimal point)
	Size	: height = 10 mm, width = 6.4 mm
	Color	: green

Serial links General: The choice of transmission type depends on the required distance and speed.

Selecting the type of serial link



ONLY ONE TYPE OF SERIAL LINK CAN BE USED AT A TIME

ELECTRICAL CHARACTERISTICS

RS 232 C OPTICALLY ISOLATED

ELECTRICAL CHARACTERISTICS MEET RELEVANT STANDARDS.

20 MA CURRENT LOOP: OPTICALLY ISOLATED

ELECTRICAL CHARACTERISTICS: 3 PARAMETERS DEFINE THIS DATA LINK

PASSIVE

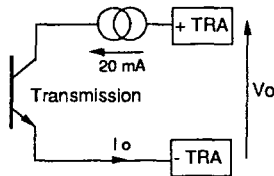
An external power supply provides the current. (U max. = 24 V.)

PROTECTED

The XBT-A terminal limits the current to 20 mA ± 20 %.

PASSING
or
BLOCKED

Current passes at rest (MARK)
Current passes during transmission (SPACE)



Transmission

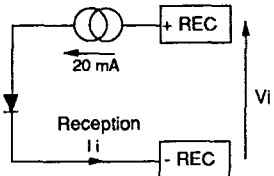
Protected (with current limiting)

Current I_o

20 mA ± 20 %

Voltage drop V_o

4 V Max.



Reception

Protected (with current limiting)

Current I_i

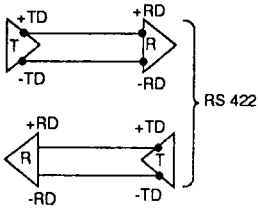
20 mA ± 20 %

Voltage drop V_i

4 V Max.

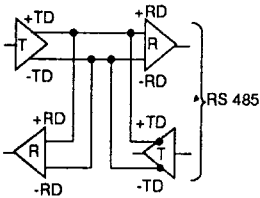
RS 422 OPTICALLY ISOLATED

ELECTRICAL CHARACTERISTICS MEET RS 422 STANDARDS



Operation: "4-wire" data link with FULL DUPLEX exchanges.

RS 422: pins +ED -ED +RD -RD
2 twisted pairs, 0.6 mm² (AWG 22) wire gauge



Operation: extension of the RS 422 standard. "2-wire" data link with HALF DUPLEX exchanges.

RS 485: connections +TD to +RD
-TD to -RD