

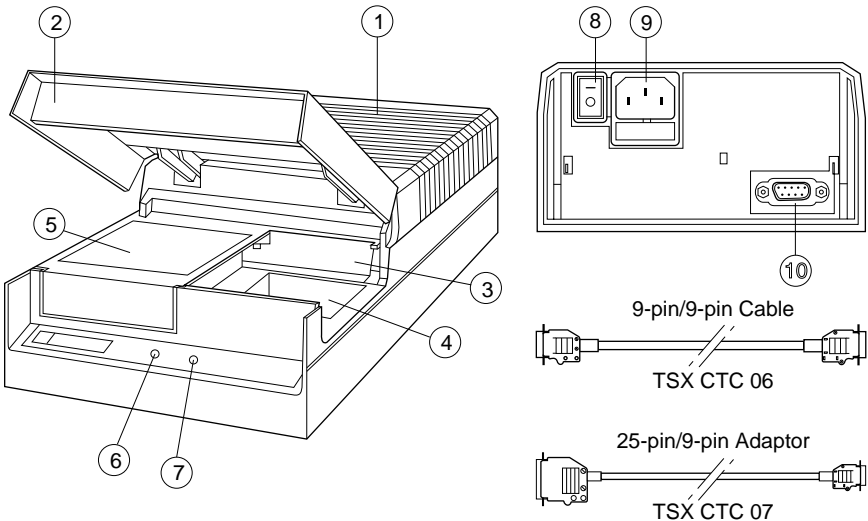
1 Préface

The TSX TPE 030 2/030 7 cartridge programmer is designed for reading and writing to RAM or EPROM type user memory cartridges for all applications developed in PL7-2 or PL7-3 language and PL7-MMI for operator dialogue.

The cartridge programmer is used with the following:

- X-TEL or MINI X-TEL software workshops. With this in mind, each software workshop comes complete with a TXT LF PP V5 diskette containing the operating software for the cartridge programmer. Installation and use of this software is described in the following manuals:
 - installation: the TXT DM XTEL V5E manual for and XTEL software workshop and TXT DM BJR V5E manual for a MINI X-TEL software workshop.
 - operation : the TXT DM TLS V5E manual.
- the V5.0 user interface module for PL7 running under DOS. In this event, operation is described in the TSX DM USR V5E manual.

2 Hardware Presentation



(1) The cord supplied depends on the destination country.

T FTX CA 51 : France, Belgium, Denmark, Germany,
Finland, Italy, Norway,
Netherlands, Spain, Portugal, Austria,
Sweden

T FTX CA 52 : Great Britain

T FTX CA 57 : USA, Canada

T FTX CA 58 : Switzerland

The TSX TPE 030 2/030 7 cartridge programmer comprises the following:

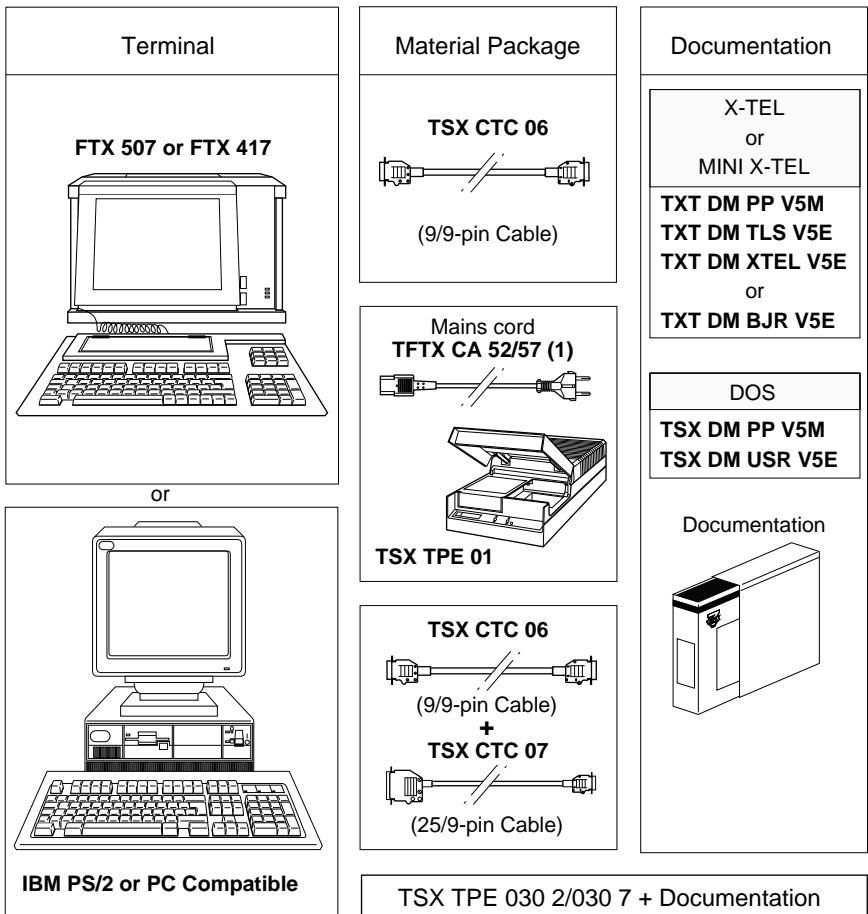
- A TSX TPE 01 programming unit,
 - A number of cables for all the various connections,
 - An installation manual.
- ① A TSX TPE 01 cartridge programmer with:
 - ② A hinged cover that permits access to the two cartridge slots,
 - ③ A slot accepting user cartridges for TSX 27/47/67/87/107, PMX 47/67/87/107 PLCs or TSX CPM 27/37 modules,
 - ④ A slot accepting user cartridges for TSX 17-20 PLCs,
 - ⑤ A micro-software cartridge (IE \geq 07) that can be replaced for future upgrades. The micro-software manages the programming of the various user cartridges and the RS-232C serial link interface with the microcomputer. It also runs the self-test functions for the cartridge programmer itself.
 - ⑥ A green LED that blinks alternately with the red LED 7 after power-up, during the self-tests. On correct completion of the self-tests, the green LED remains lit,
 - ⑦ A red light that lights only during reading or writing of a cartridge. The light blinks if the read or write operation does not terminate correctly.
 - ⑧ A power On-Off switch,
 - ⑨ A mains power connector for connecting the mains cord,
 - ⑩ A 9-pin Sub-D connector for an RS-232C serial data link, to the microcomputer.
 - A Great Britain standard 3-pin mains cord (T FTX CA 52) or a USA, Canada 3-pin mains cord (T FTX CA 57) for connecting the cartridge programmer to the mains supply (110 to 220 VAC).

Note: When connected with a TFTX CA 52/57 cord, the TSX TPE 01 cartridge programmer does not meet the FCC Part 15J and EN 55022 limits for radio interference. To meet these standards a filtering EMC-Cord must be used (A Schaffner IKX 13 cord can be used).
 - A TSX CTC 06 cable with two 9-pin connectors, for connecting the cartridge programmer to the FTX 507 or to the IBM PC compatible micro computer,
 - A TSX CTC 07 cable with a 9-pin connector and a 25-pin connector, for connecting the cartridge programmer to the IBM PS/2 micro computer,
 - A TXT DM PP V5M installation manual which describes only how to set up the hardware.

3 Components required for operation

In order to use the cartridge programmer, you will need to have the following equipment:

- An FTX 507/417 terminal or IBM PS/2 or PC compatible equipped with either:
 - an X-TEL or MINI X-TEL software workshop and the TXT L PP V5 cartridge programmer software for applications developed in X-TEL/OS2,
 - or the V5.0 PL7 DOS user interface module for applications developed in DOS.
- The complete TSX TPE 030 2/030 7 and documentation as appropriate for:
 - X-TEL or MINI X-TEL software workshops,
 - the V5.0 PL7 DOS user interface module.



(1) Refer page 10

4 Connections

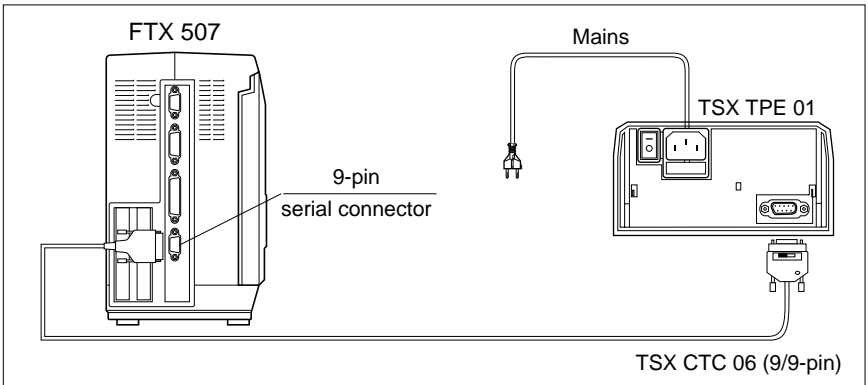
This section only covers connecting the cartridge programmer to the microcomputer and to the mains supply. Refer to the manufacturer's documentation for connections specific to the microcomputer (keyboard, mouse).

- **Mains Connection**

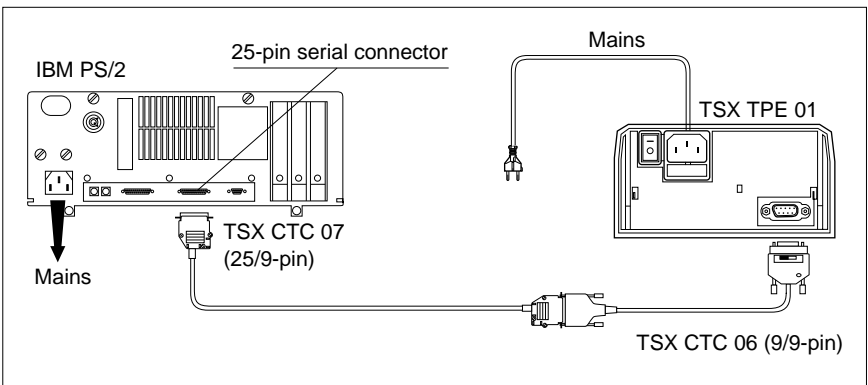
The cartridge programmer can be run off a 110 VAC or 220 VAC mains supply. The device automatically adjusts to the correct line supply voltage.

- **Connection Between the Microcomputer and the Cartridge Programmer**

9-pin FTX 507 /FTX 417 Connection



25-pin IBM PS/2 Connection

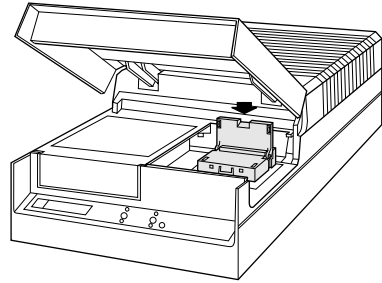
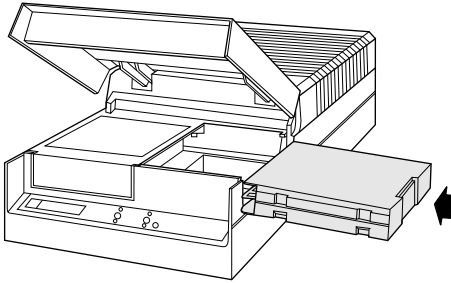


ENGLISH

5 Inserting the Cartridge

Before inserting or removing a cartridge, the cartridge programmer must be:

- switched off for TSX 17 cartridges.
- switched on or off for TSX 27/47/67/87/107, PMX 47/67/87/107 or TSX PCM 27/37 cartridges.



TSX 27/47/67/87/107 Cartridges
PMX 47/67/87/107 Cartridges
TSX PCM 27/37 Cartridges

TSX 17 Cartridges