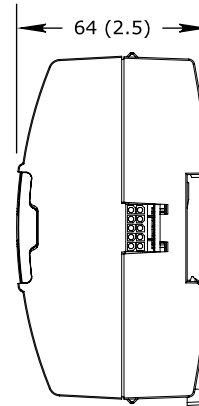
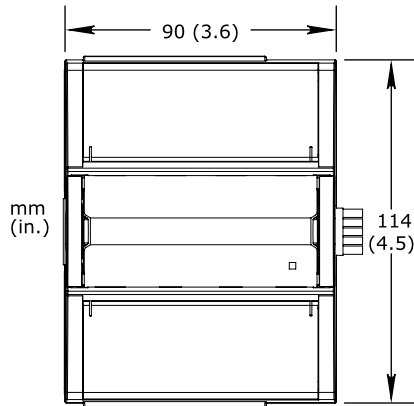


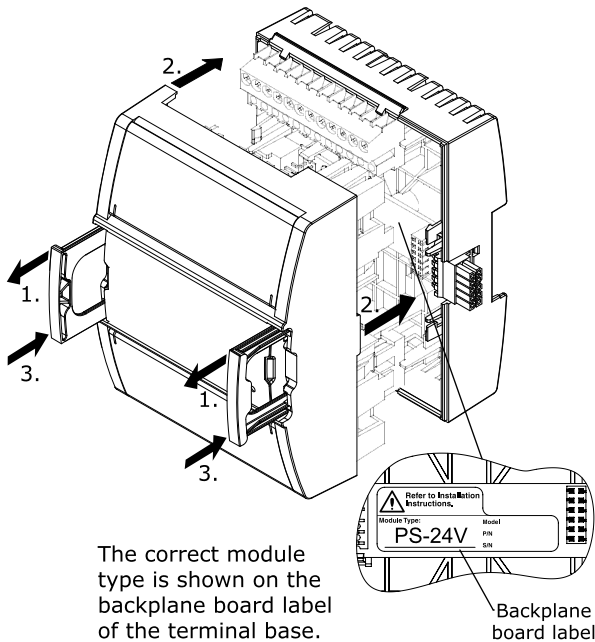
# Automation Server Family

## W1-Sized PS Modules

### Dimensions



### Installing the Module

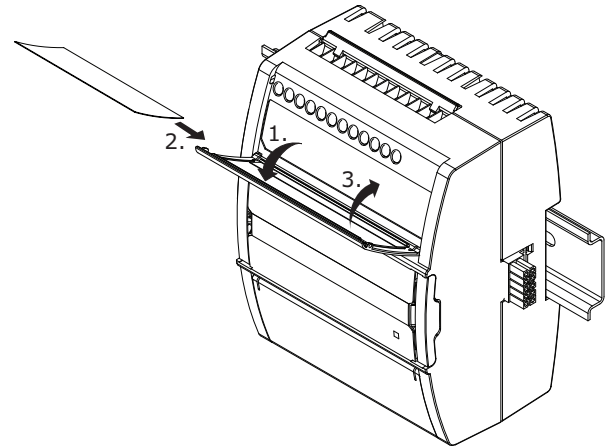


The correct module type is shown on the backplane board label of the terminal base.



Warning: Ensure that the module type and the terminal base type match. A mismatch can cause electric shock and damage the module.

### Labeling the Module



# Terminal Base for this Device

Device	Part number
TB-PS-W1 Term Base Pwr Sup W1	SXWTBPSW110001

## Specifications

### PS-24V

#### AC input

**Nominal voltage**24 VAC  $\sim$  50/60 Hz**Recommended transformer rating** $\geq$ 60 VA

#### DC input

**Nominal voltage**24 VDC  $\text{---}$ **Power consumption**

max. 40 W

#### DC output

**Output voltage**24 V  $\pm$ 1 V**Output power**

max. 30 W

#### Operation environment

**Ambient temperature, operating**

0 to 50 °C (32 to 122 °F)

**Humidity**

Maximum 95 % RH non-condensing

#### Mechanical

**Enclosure rating**

IP 20

**Plastic rating**

UL94-5VB

#### Electrical

**I/O bus power**24 VDC  $\text{---}$  max. 30 W per I/O bus  
power supply, Class 2**Maximum addresses per I/O bus**

32

## Regulatory Notices

### Federal Communications Commission

FCC Rules and Regulations CFR 47, Part 15, Class B

This device complies with part 15 of the FCC Rules. Operation is subject to the following two conditions: (1) This device may not cause harmful interference. (2) This device must accept any interference received, including interference that may cause undesired operation.

#### Industry Canada

ICES-003

This is a Class B digital device that meets all requirements of the Canadian Interference Causing Equipment Regulations.



### N1831 C-Tick (Australian Communications Authority (ACA))

AS/NZS 3548

This equipment carries the C-Tick label and complies with EMC and radio communications regulations of the Australian Communications Authority (ACA), governing the Australian and New Zealand (AS/NZS) communities.

### CE - Compliance to European Union (EU)

2004/108/EC Electromagnetic Compatibility Directive

This equipment complies with the rules, of the Official Journal of the European Union, for governing the Self Declaration of the CE Marking for the European Union as specified in the above directive(s) per the provisions of the following standards: IEC/EN 61326-1 Product Standard, IEC/EN 61010-1 Safety Standard.



### WEEE - Directive of the European Union (EU)

This equipment and its packaging carry the waste of electrical and electronic equipment (WEEE) label, in compliance with European Union (EU) Directive 2002/96/EC, governing the disposal and recycling of electrical and electronic equipment in the European community.



UL 916 Listed products for the United States and Canada, Open Class Energy Management Equipment.