

# Installation Instructions

## 1.0 Product Range

TPHBM1 150 W LED Highbay, 240 V a.c., 5000 K, IP65

## 2.0 Installation Requirements

### **WARNING**

#### **RISK OF ELECTRIC SHOCK**

It is illegal for persons other than an appropriately licensed electrical contractors or other persons authorised by legislation to work on the fixed wiring of any electrical installation.

- To comply with all safety standards, the product must be used only for the purpose described in this instruction and must be installed in accordance with the wiring rules and regulation in the location where it is installed. e.g. AS/NZS3000 Electrical Installations
- There are no user serviceable parts inside the product.

**Failure to follow these instructions can result in death or serious injury.**

- The product is class 1.
- Check whether the product has been damaged during transport. Do not operate/install any product which appears damaged in any way. Return the complete product to the place of purchase for inspection, repair or replacement.
- Take care not to pull any electrical wires during unpacking as this may damage the connection.
- Isolate the electrical supply before doing any work on this equipment.
- Select a suitable location for installation. This product is protected against water penetration to IP65 standards.

### **CAUTION**

#### **RISK OF BURN INJURIES**

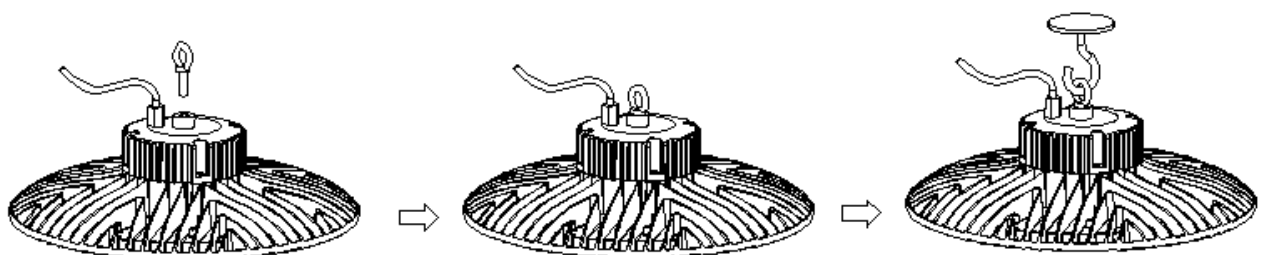
During and after use the unit may be hot. Do not touch the unit before it has completely cooled down.

**Failure to follow these instructions can result in minor injuries, or equipment damage.**

## 3.0 Installation Instructions

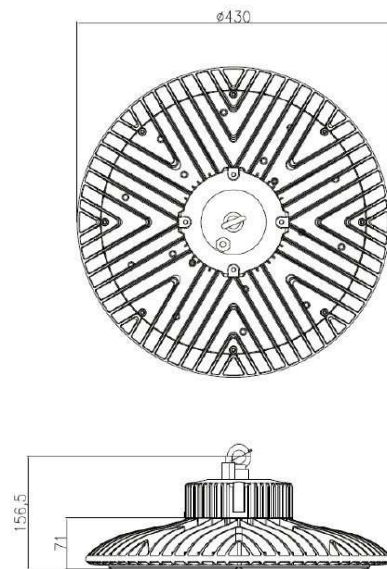
### **Installing Product**

1. Select desired location to mount LED Highbay.
2. Isolate mains power near location so as not to cause electrical hazard.
3. Remove LED Highbay from original packaging.
4. Attach enclosed mounting hook (if not fitted) ensuring you screw to a torque setting of no less than 8.5 Nm
5. Ensure mounting method is of suitable weight rating to be able to support the LED Highbay. Allow additional mounting method if the desired location is affected by air movement which could cause the LED Highbay to swing or rotate.
6. Do not use the power cable to support the weight of the LED Highbay during mounting.
7. Connect mains power to Highbay.



## 4.0 Product Specifications

Cat #	TPHBM1
Voltage Rating	240 V a.c., 50 Hz
LED Power	150 W
Total System Power	165 W
Lumens	>18,500 lm
Colour Temperature	5000 K
CRI	> 80
IP rating	IP65
Lifespan (L70)	50,000 hrs
Beam Angle	120 degrees
Weight	7.6 kg
Operating temperature	-10°C to + 50°C
Operating humidity	+10% to +90% RH, non condensing
Storage temperature	0°C to + 60°C
Storage humidity	+10% to +90% RH, non condensing



## 5.0 Warranty

- The benefits conferred herein are in addition to and in no way shall be deemed to derogate; either expressly or by implication, any or all other rights and remedies in respect to the Clipsal by Schneider Electric product, which the consumer has under the Commonwealth Trade Practices Act or any other similar State or Territory Laws.
- The warrantor is Schneider Electric (Australia) Pty Ltd of 33-37 Port Wakefield Road, Gepps Cross, South Australia 5094. With registered offices in all Australian states.
- This Clipsal by Schneider Electric product is guaranteed against faulty workmanship and materials for a period of three (3) years from the date of installation.
- Schneider Electric (Australia) Pty Ltd reserves the right, at its discretion, to either repair free of parts and labour charges, replace or offer refund in respect to any article found to be faulty due to materials, parts or workmanship.
- This warranty is expressly subject to the Clipsal by Schneider Electric product being installed, wired, rested, operated and used in accordance with the manufacturer's instructions.
- All costs of a claim shall be met by Schneider Electric (Australia) Pty Ltd, however should the product that is the subject to the claim be found to be in good working order all such costs shall be met by the claimant.
- When making a claim the consumer shall forward the Clipsal by Schneider Electric product to the nearest office of Schneider Electric (Australia) Pty Ltd with adequate particulars of the defect within 28 days of the fault occurring. The product should be returned securely packed, complete with details of the date and place of purchase, description of load, and circumstances of malfunction.

### Schneider Electric (Australia) Pty Ltd

Contact us: [clipsal.com/feedback](http://clipsal.com/feedback)

#### National Customer Care Enquiries:

Tel 1300 2025 25

Fax 1300 2025 56

### Schneider Electric (NZ) Pty Ltd

National Customer Care Enquiries:

Tel 0800 652 999

Fax 0800 101 152

**clipsal.com**

Schneider Electric Pty Ltd reserves the right to change specifications, modify designs and discontinue items without incurring obligation and whilst every effort is made to ensure that descriptions, specifications and other information in this catalogue are correct, no warranty is given in respect thereof and the company shall not be liable for any error therein.

© 2016 Schneider Electric. All Rights Reserved.

Trademarks are owned by Schneider Electric Industries SAS or its affiliated companies.