

VSE 004

VAMP 40 RS-485 module

General

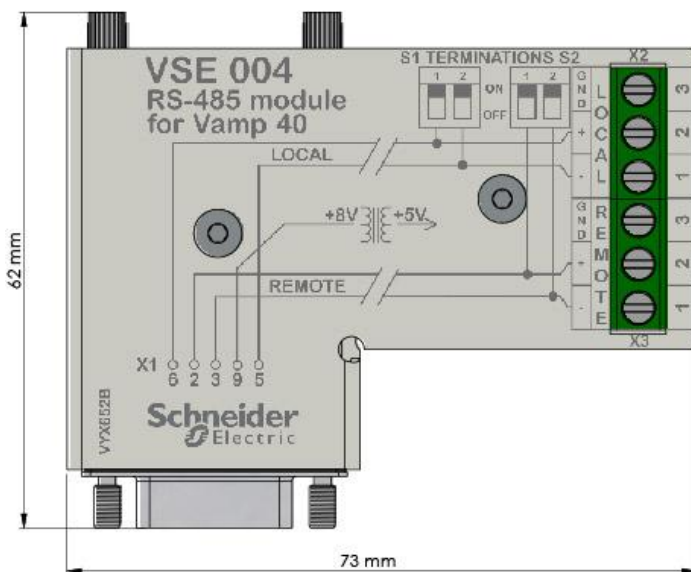
VAMP 40 RS-485 Interface Module VSE 004 provides:

1. Galvanically isolated RS-485 interface for LOCAL communication or EXTERNAL I/O modules
2. Galvanically isolated RS-485 interface for REMOTE communication.

The VSE 004 is attached to the x4 serial port at the back of a VAMP 40 relay.

NOTICE

The recommended baudrate of both serial interfaces is 9600 bits/s.



Power supply

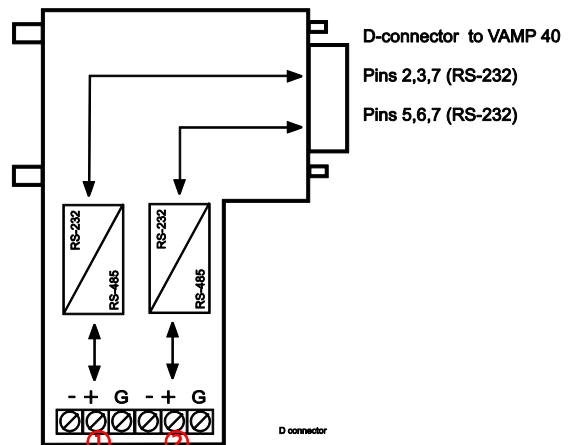
The power for the module is taken from pin 9 of the D-connector of the VAMP relay.

RS-485 interface

The RS-485 interface supports 2-wire connection. There is a dip switch to switch the termination resistors on or off.

The direction control of the RS-485 transceiver is done automatically. The automatic direction control turns the transceiver to transmit mode after detecting the falling edge of a 0-bit. When the transceiver is changed to receive mode, the RS-485 line changes state to logic 1 state due to the biasing resistors.

Logical connection inside the VSE 004



① 2-wire RS-485 interface for REMOTE protocol

② 2-wire RS-485 interface for LOCAL communication or EXTERNAL I/O modules

Ordering code

VSE 004 VAMP 40 RS-485 interface module