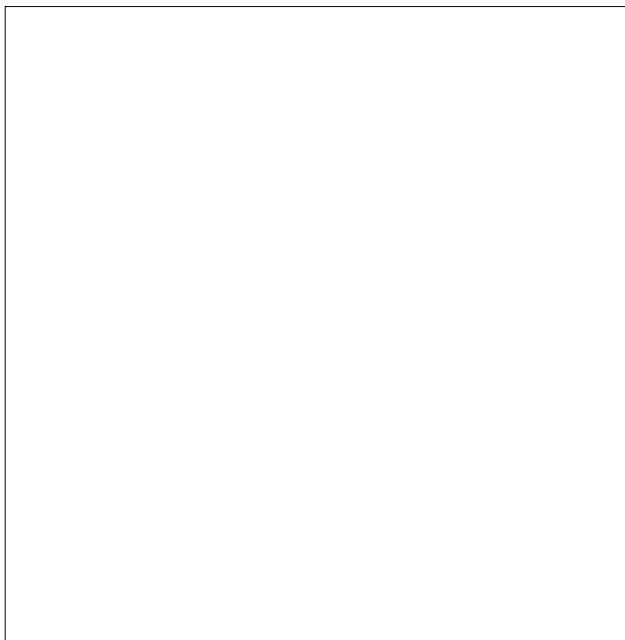


# RECTIVAR<sup>®</sup> 4 série 44

Variateurs de vitesse  
pour moteurs à courant continu  
Speed controllers for DC motors

Module adaptation référence vitesse  
Speed reference adaptation module



VW3-RZE101

# Sommaire / Contents

---

---

|                 |                                   |   |
|-----------------|-----------------------------------|---|
| <b>Français</b> | Fonctionnement - Caractéristiques | 1 |
|                 | Synoptique - Raccordements        | 2 |
| <b>English</b>  | Operation - Characteristics       | 3 |
|                 | Block diagram - Cabling           | 4 |

---

## Operation

This module generates the  $\pm 10$  V speed reference for the speed controller from an operating direction and from :  
 - either a 0 +10 V reference,  
 - or a 0 - 20 mA or 4 - 20 mA current reference.

The voltage reference input and the 0 - 20 mA current reference input may be used simultaneously. If so, the following correspondence must always be checked :

$$500 \pm I(\text{EC1}) + V(\text{E1}) \leq 10 \text{ V with } I(\text{EC1}) \text{ in mA .}$$

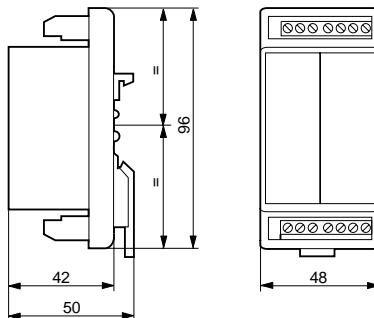
The 4 - 20 mA current reference input must be used alone.  
 The power is supplied from the speed controller.

## Electrical characteristics

| Name | function  |
|------|---|
| E1   | 0 + 10 V reference input ( $Z = 29 \text{ k}\Omega$ )             |
| 0E   | 0 V from 0 + 10 V reference input                                 |
| EC1  | 0 -20 mA reference input  |
| EC2  | 4 - 20 mA reference input   |
| 0EC  | 0 V from 0 - 20 mA and 4 - 20 mA reference inputs                 |
| RV   | reverse   |
| FW   | forward   |
|      | } direction   |
| SW   | $\pm 10$ V reference output for the speed controller, max I 11 mA |
| 0SW  | 0 V from the reference output                                     |
| P15  | +15 V, max I : 7 mA   |
| 0V   | -15 V, max I : 7 mA   |
|      | } module power supply   |
| N15  | -15 V, max I : 7 mA   |
| PL   | 24 V from speed controller, max I : 11 mA                         |
| PL   | 24 V available for selection of FW - RV                           |

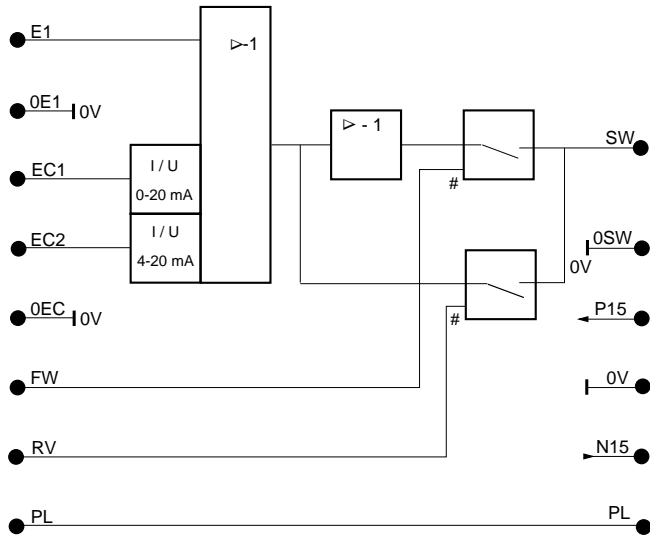
## Mechanical characteristics

Mounting of module on omega rail, width 35 mm



Weight : 0,220 kg.

## Block diagram



## Cabling

