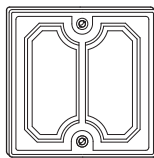


**Roller shutter control electronics**

Operating instructions



Art. no. MTN569092

**For your safety**

**DANGER**
**Risk of fatal injury from electrical current.**

All work on the device should only be carried out by trained and skilled electricians. The country-specific regulations must be followed.

**Roller shutter control electronics introduction**

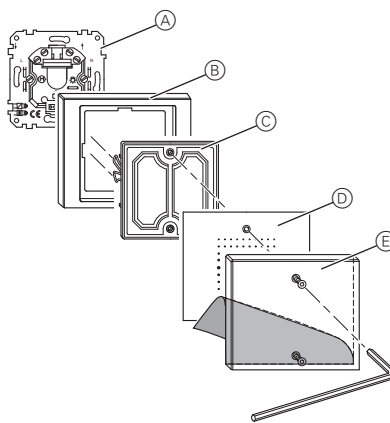
You can use the roller shutter control electronics to control a blind/roller shutter drive. The electronics are operated using two contact surfaces.



In some cases, undesired switching of the control electronics can occur, e.g. due to dramatic fluctuations in temperature or high humidity. Do not use the control electronics if undesired switching processes must be prevented (e.g. electronic door opening mechanism, staircase light).



Press the middle of the respective sensor cover to execute functions reliably.



- Ⓐ Roller shutter/two-circuit insert, Art. no. MTN576499
- Ⓑ Frame (Art. no. MTN482x60)
- Ⓒ Roller shutter/two-circuit insert, Art. no. MTN569092
- Ⓓ Cover foil (included with the glass sensor cover)
- Ⓔ Glass sensor cover (Art. no. MTN569x..) (transparent or satinated)

The roller shutter control electronics cannot function without these components.

**Roller shutter control installation**

For information on installation and operation, please refer to the instructions for the roller shutter/two-circuit insert.

**Schneider Electric Industries SAS**

If you have technical questions, please contact the Customer Care Center in your country.

[www.schneider-electric.com](http://www.schneider-electric.com)

This product must be installed, connected and used in compliance with prevailing standards and/or installation regulations. As standards, specifications and designs develop from time to time, always ask for confirmation of the information given in this publication.