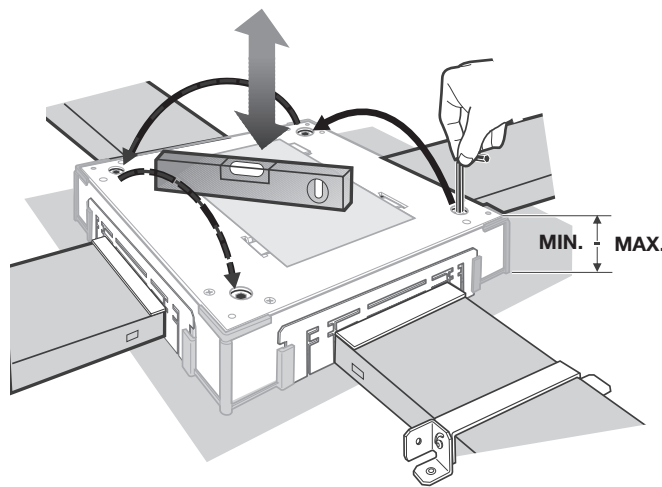
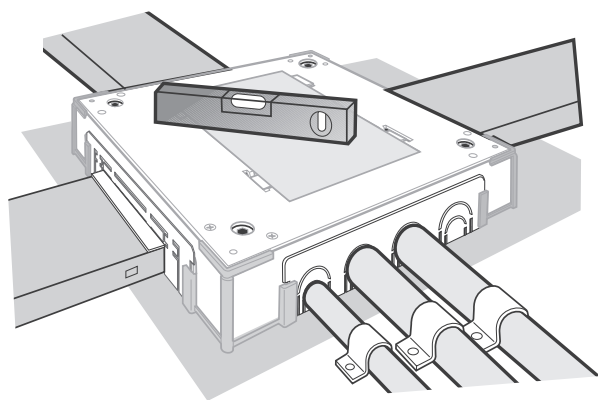


7 Nivelar / Nivelar / Adjust level / Nivelar / Nivellieren



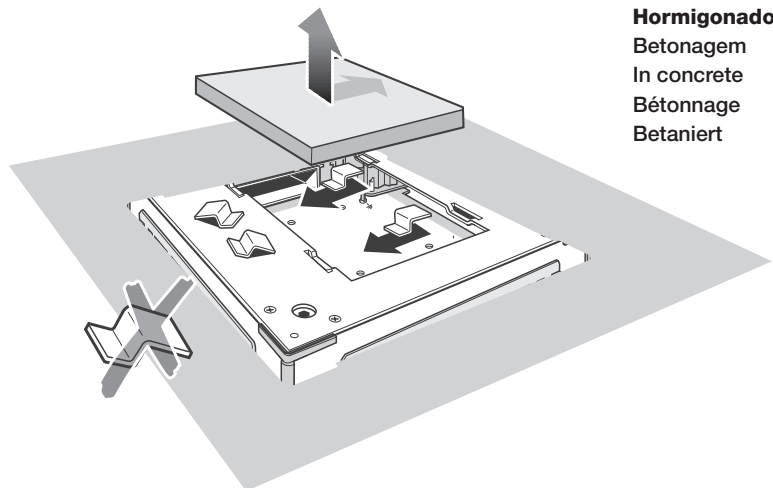
MIN. 75 - MAX. 110:
ism 50322
ism 50332
ism 50323
ism 50333



5

8 Quitar tapa / Retirar tampa / Remove cover / Enlever le couvercle /

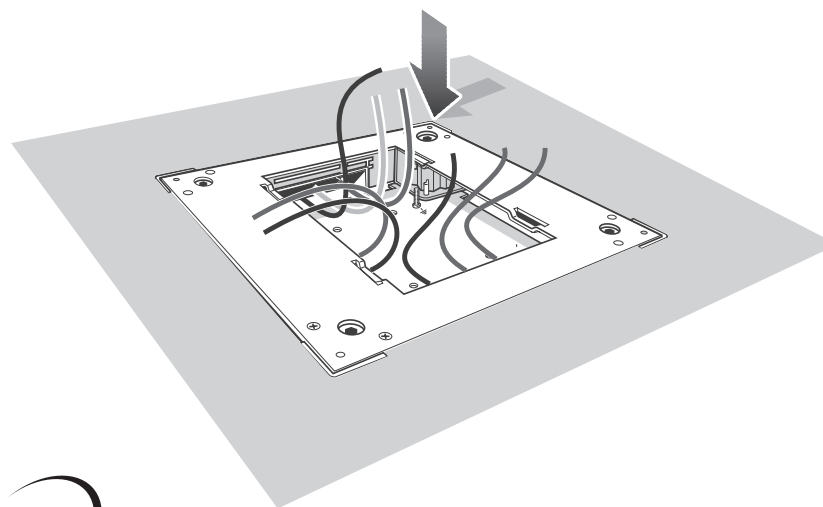
Entferne Deckel



Hormigonado
Betonagem
In concrete
Bétonnage
Betanirt

9 Poner caja de suelo / Colocar caixa de chão / Install floor outlet box /

Mettre boîte de sol / Installiere Auslassdose



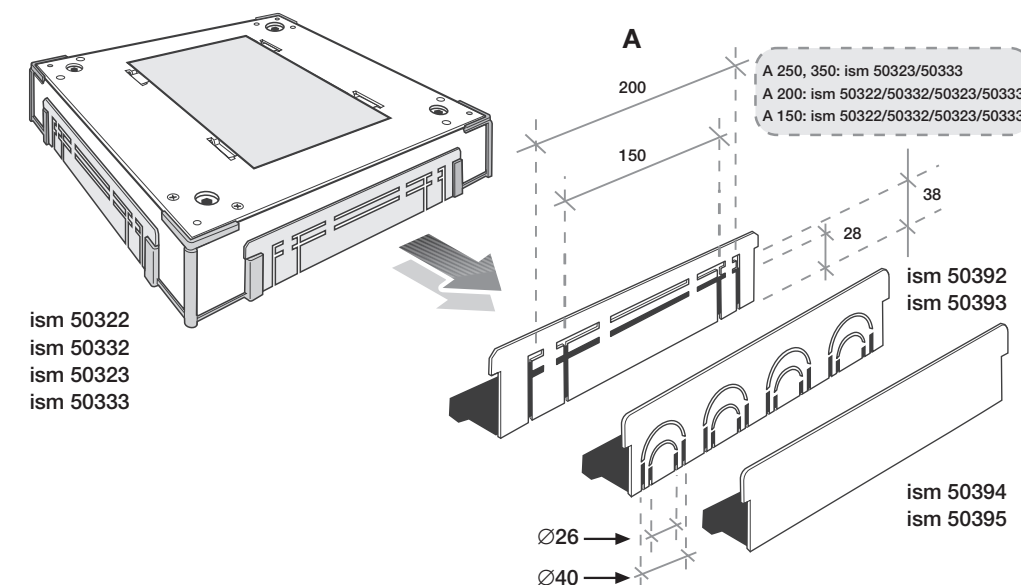
6

OptiLine

Instrucciones técnicas de montaje
Manual de instruções
Mounting instruction sheet
Notice de montage
Installationsanleitung

Caja de registro metálica
Caixa de registro metálica
Metal screeded floor box
Boîtier raccordement en tôle acier
Eingießdose aus Metall

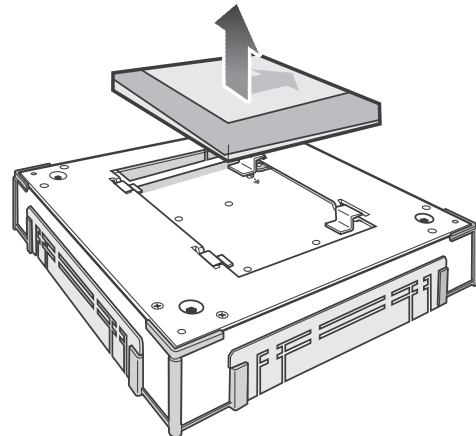
ism 50322
ism 50332
ism 50323
ism 50333



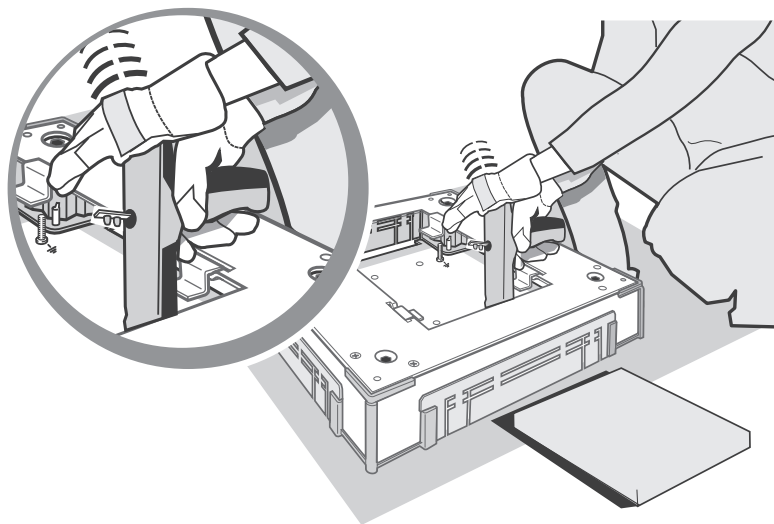
1

1 Quitar tapa / Retirar tampa / Remove cover / Enlever le couvercle /

Entferne Deckel



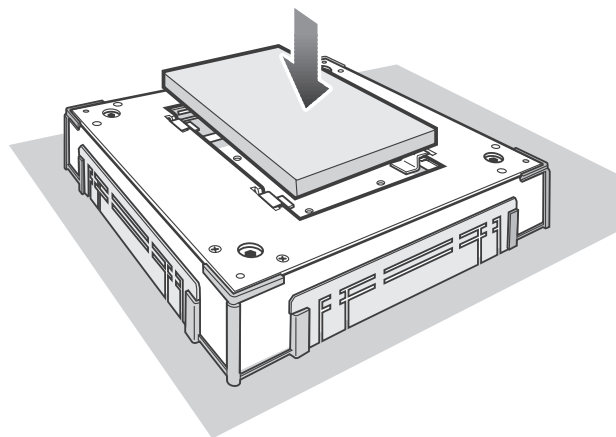
2 Fijar / Fixar / Fixation / Fixer / Fixieren



2

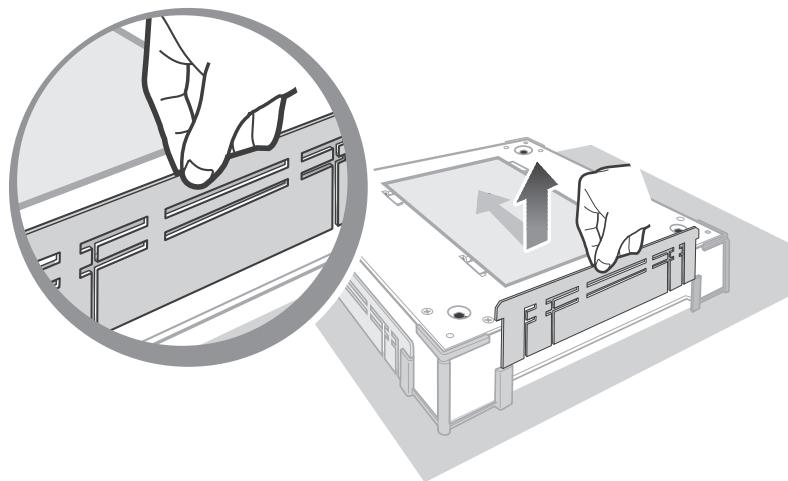
3 Poner tapa / Colocar tampa / Place cover / Mettre le couvercle /

Deckel zurück legen



4 Quitar placa / Retirar adaptador / To remove adapter /

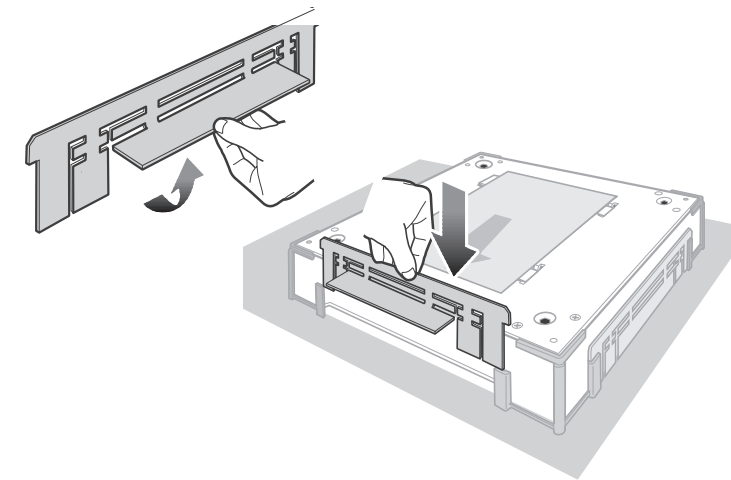
Enlever la plaque / Entferne Adapter



3

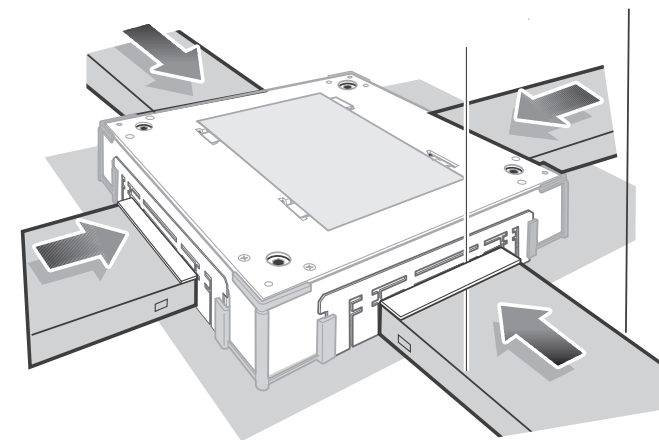
5 Doblar placa / Dobrar adaptador / Fold adapter / Plier la plaque /

Adapter Anpassen



6 Colocar canal / Colocar canalização / Install trunking /

Mettre la goulotte / Installiere Kanal



4