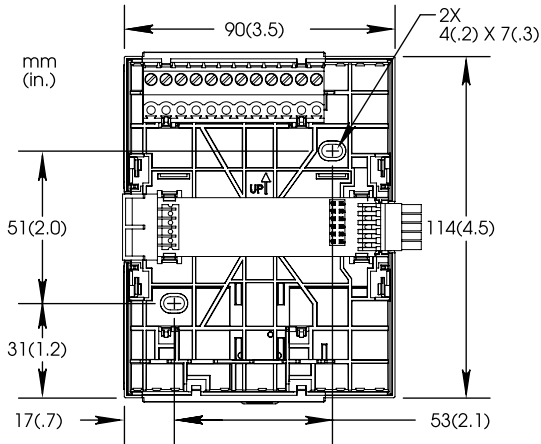
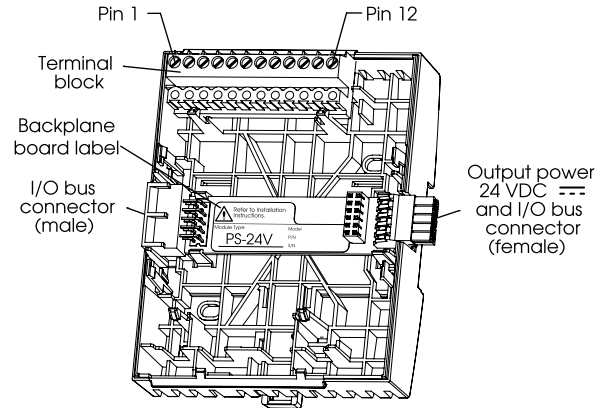


## Terminal Base TB-PS-W1

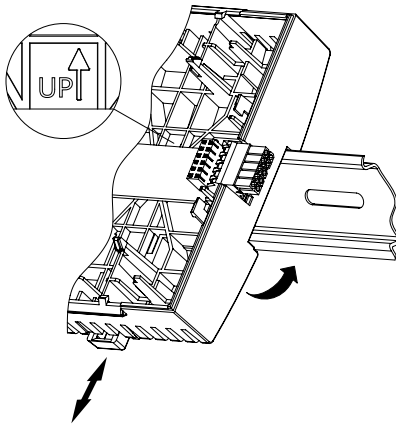
### Dimensions



### Overview

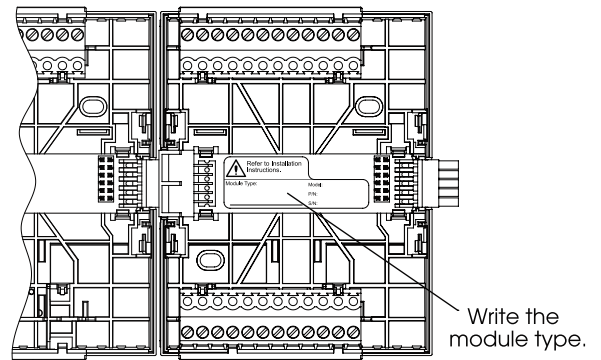


### Installing the Terminal Base



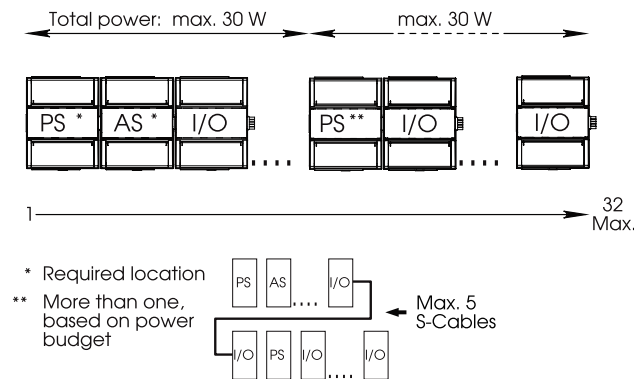
Caution: Install the terminal base on a horizontal DIN rail. This position provides proper cooling air flow through the electronics module.

### Connecting the Next Terminal Base

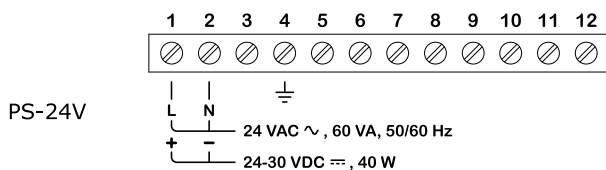


Warning: Ensure that the module type and the terminal base type match. A mismatch can cause electric shock and damage the module.

## I/O Bus Addressing, Power Limits, and Cables



## Connections



## Specifications

### AC input

#### Nominal voltage

24 VAC ~ 50/60 Hz

#### Recommended transformer rating

≥60 VA

### DC input

#### Nominal voltage

24 VDC =

#### Power consumption

max. 40 W

### DC output

#### Output voltage

24 V ±1 V

#### Output power

max. 30 W

### Operation environment

#### Ambient temperature, operating

0 to 50 °C (32 to 122 °F)

#### Humidity

Maximum 95 % RH non-condensing

### Mechanical

#### Enclosure rating

IP 20

#### Plastic rating

UL94-5VB

### Electrical

#### I/O bus power

24 VDC = max. 30 W per I/O bus

power supply, Class 2

#### Maximum addresses per I/O bus

32

### Regulatory compliance

#### EMC, safety, and environment

FCC CFR 47 Part 15 Class B, ICES-003 Class B, RCM, CE - EMCD 2014/30/EU, WEEE 2012/19/EU, RoHS 2011/65/EU, China RoHS SJ/T 11364-2014, UL 916 Listed products for the United States and Canada, Open Class Energy Management Equipment (UL file E80146.), UL 864 Listed products for the United States. 10th Edition Smoke Control System. (UL file S5527.), UL 294 Recognized Component (UL file BP6537.)

## Terminal Base and Electronics Module

Device	Part number
TB-PS-W1 Terminal Base	SXWTBPSW110001
PS-24V Power Supply	SXWPS24VX10001

## S-Cables

Device	Part number
S-Cable, 1.5 m, angle	SXWSCABLE10002
S-Cable, 0.75 m, angle	SXWSCABLE10003

## Smoke Control Application Note

The input power terminals are power-limited per UL 864 requirements. For more information on the use of the PS-24V power supply for a UL 864 smoke control application, see the latest version of the Smoke Control Design Guide (04-16014-XX-en).

部件名称 (Part Name)	有害物质 (Hazardous Substances)					
	铅 (Pb)	汞 (Hg)	镉 (Cd)	六价铬 (Cr (VI))	多溴联苯 (PBB)	多溴二苯醚 (PBDE)
塑料部件 (Plastic Parts)	○	○	○	○	○	○
电子件 (Electronics)	X	○	○	○	○	○

本表格依据 SJ/T11364 的规定编制。(This table is made according to SJ/T 11364.)

○: 表示该有害物质在该部件所有均质材料中的含量均在 GB/T 26572 规定的限量要求以下。

(Indicates that the concentration of hazardous substance in all of the homogeneous materials for this part is below the limit as stipulated in GB/T 26572.)

X: 表示该有害物质至少在该部件的某一均质材料中的含量超出 GB/T 26572 规定的限量要求。

(Indicates that the concentration of hazardous substance in at least one of the homogeneous materials used for this part is above the limit as stipulated in GB/T 26572.)

