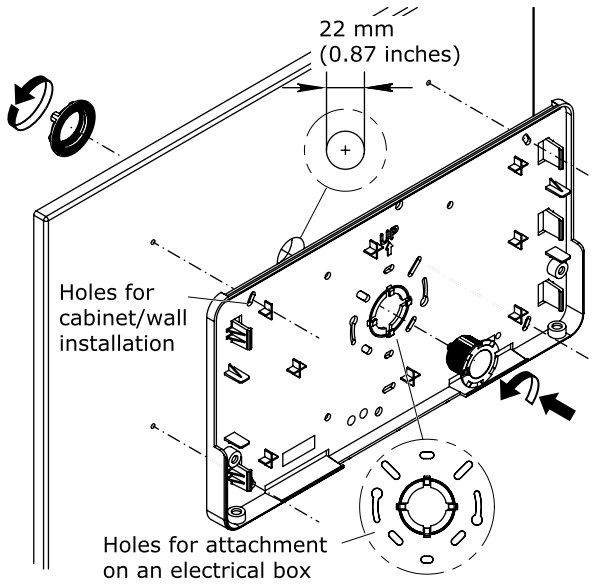
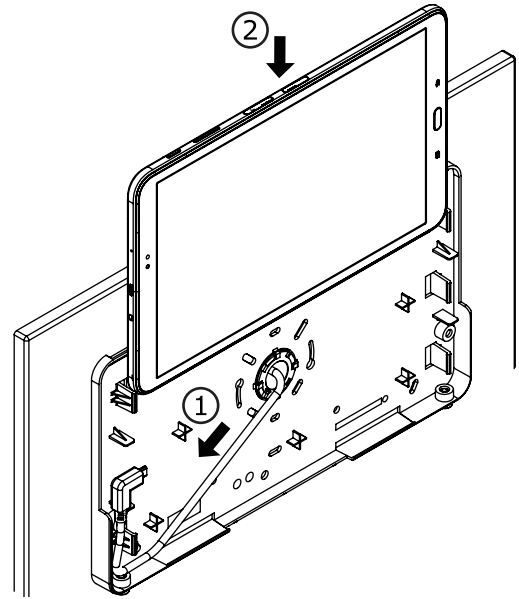


## AD v2

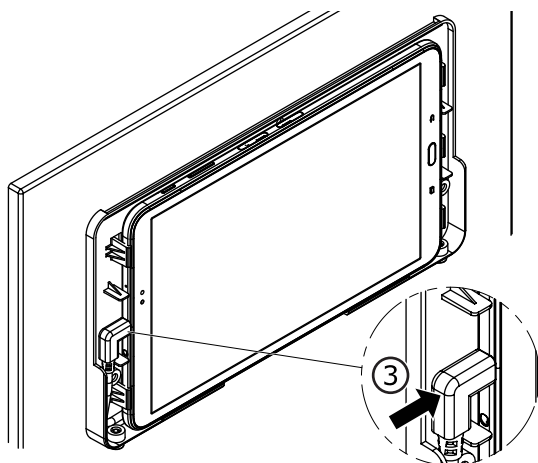
### Installing the Base



### Installing the USB Cable and Tablet

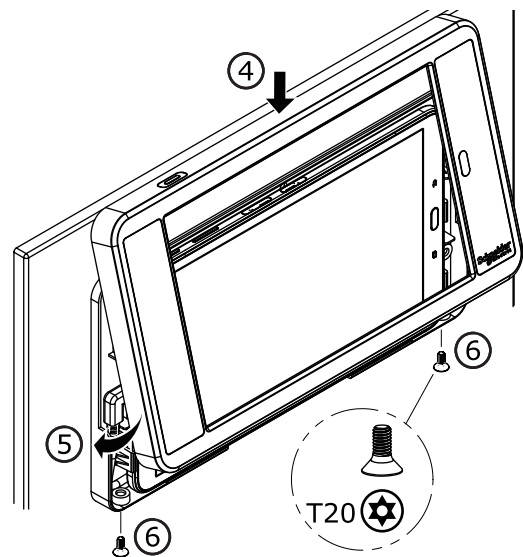


### Connecting the USB Cable



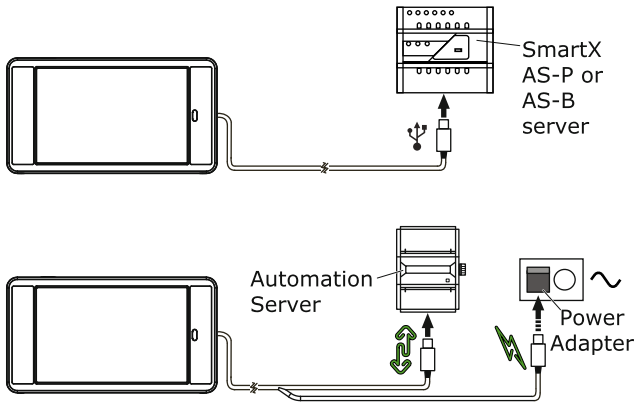
Caution: Use only USB cables ordered from Schneider Electric. Using a cable that exceeds 3 m (10 ft) or that is not designed for AD v2 can cause loss of data or power.

### Installing the Frame



## Connections

### Wired Connection using SmartX AD-Link



**Warning:** Use only Samsung-approved power adapters. Using other power adapters can cause the battery to explode or damage the tablet.

**Important:** Ensure the screen turns off automatically when you are not using the device, because the sleep mode is used to fully charge the battery.

**Note:** If an Attention message "Unable to find software on your computer that can recognize your device..." appears, ignore the message and tap OK.

### Selecting Launcher TouchWiz Home

**Important:** Select TouchWiz Home as launcher. Do not select SmartXKiosk as launcher as you then lock AD v2 in Kiosk mode without a PIN code.

### Configuring Kiosk Mode

- Connect AD v2 to the Internet for license activation the first time the apps are used.
- Establish a wired connection to the SmartX server:

- Connect the USB cable to the SmartX server.
- Start the SmartX AD-Link app.
- Tap Activate to enable SmartX AD-Link as device administrator, if required.
- Tap Connect.
- Exit the app.
- Make WebStation in Kiosk mode accessible through SmartXKiosk:
  - Start the Chrome web browser.
  - Enter the SmartX server IP address 192.168.42.116.
  - Enter the WebStation kiosk mode parameter at the end of the address 192.168.42.116/?kiosk#, if required.
  - Add a shortcut to WebStation to the Home screen through the Chrome menu.
  - Exit Chrome.
- Start the SmartXKiosk app.
- Tap Activate to enable SmartXKiosk as device administrator.
- Enter a 6-character PIN code to be used for SmartXKiosk and tap Submit.
- Select the app or shortcut to run in Kiosk mode.
- Tap Lock & Launch.

## Part Numbers

Device	Part number
AD v2 bundle	SXWADBUND10002
USB cable, 1.5 m (5 ft)	SXWADUSBA10001
USB cable, 3 m (10 ft)	SXWADUSBA10002
USB "Y" cable, 1.5 m (5 ft)	SXWADUSBB10001
USB "Y" cable, 3 m (10 ft)	SXWADUSBB10002

## Specifications

### DC input

#### Current consumption

500 mA to 1.3 A at 5 VDC (USB 2.0)

### Operation environment

#### Ambient temperature, operating

5 to 35 °C (41 to 95 °F)

#### Humidity

Maximum 95 % RH non-condensing

### Mechanical

#### Enclosure rating

IP 54

#### Plastic rating

UL94-HB

#### Dimensions (W x H x D)

301 x 167 x 19 mm (11.8 x 6.6 x 0.75 in.)

#### Weight

0.743 kg (1.638 lb)

### Regulatory compliance

#### EMC, safety, and environment

FCC CFR 47 Part 15 Class B, ICES-003

Class B, RCM, CE - R&TTE 1999/5/EC,

RoHS 2011/65/EU, WEEE 2012/19/EU