

To avoid base-plate deformation, be careful when tightening the screws. Note that the enclosed screws are mainly intended for the US and Australian markets.

Var försiktig när bottenplattan skruvas fast, så att den inte deformeras.
(Bifogade skruvar är främst avsedda för de amerikanska och australiensiska marknaderna.)

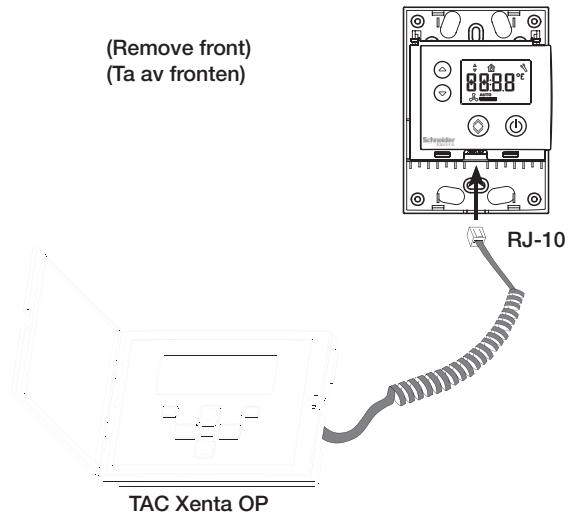
2 Removing the Front
Ta av fronten

3 Removing the Core
Ta loss kärnan

4 Cable Connections
Kabelanslutningar

Cable: G0, G; Z1, M.
(For C1, C2 see the TAC Xenta Network Guide.)
Type Twisted pair, unshielded
Size Min. 0.25 mm² (24 AWG)
Distance..... Max. 30 m (100 ft.)
Kabel: G0, G; Z1, M.
(För C1, C2 se manualen TAC Xenta Network Guide.)
Typ Partvinnad, oskärmad
Storlek Min 0.25 mm²
Avstånd..... Max 30 m

(Remove front)
(Ta av fronten)

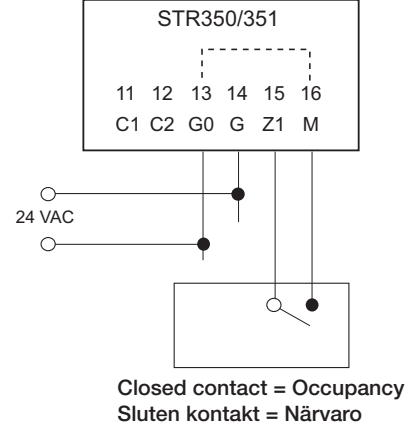
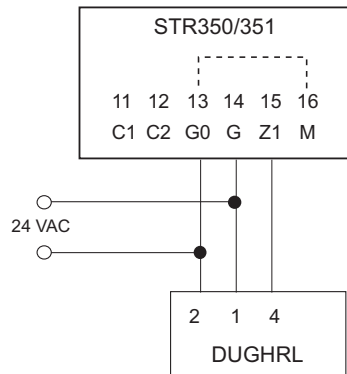
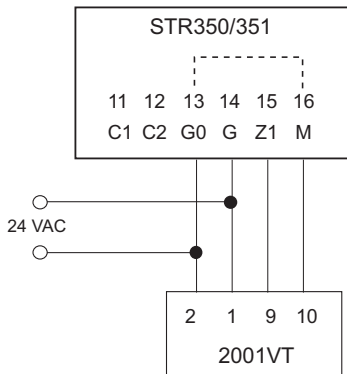


5

CO₂ sensor
CO₂-givare

Humidity sensor
Fuktgivare

Occupancy sensor
Närvarogivare



NOTE: This equipment has been tested and found to comply with the limits for a Class B digital device, pursuant to part 15 of the FCC Rules. These limits are designed to provide reasonable protection against harmful interference in a residential installation. This equipment generates, uses and can radiate radio frequency energy and, if not installed and used in accordance with the instructions, may cause harmful interference to radio communications. However, there is no guarantee that interference will not occur in a particular installation. If this equipment does cause harmful interference to radio or television reception, which can be determined by turning the equipment off and on, the user is encouraged to try to correct the interference by one or more of the following measures:

- Re-orient or relocate the receiving antenna.
- Increase the separation between the equipment and receiver.
- Connect the equipment into an outlet on a circuit different from that to which the receiver is connected.
- Consult the dealer or an experienced radio/TV technician for help.