

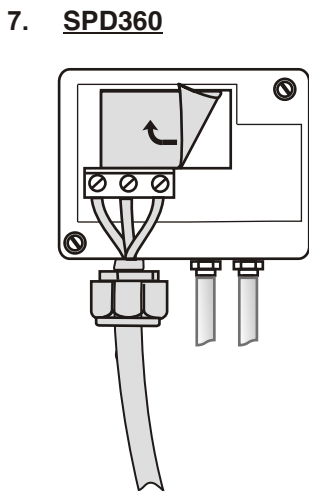
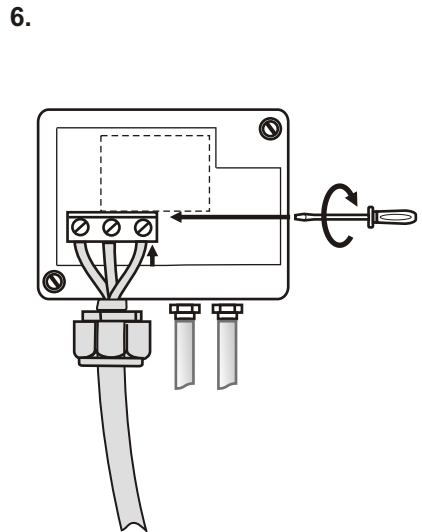
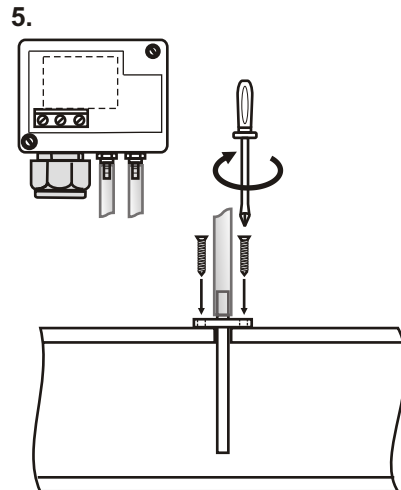
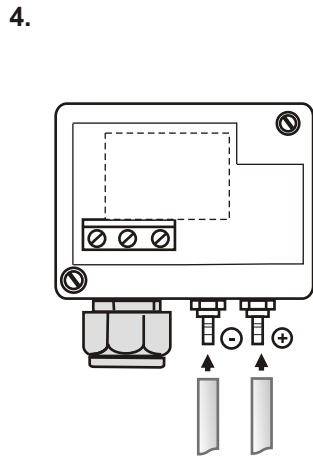
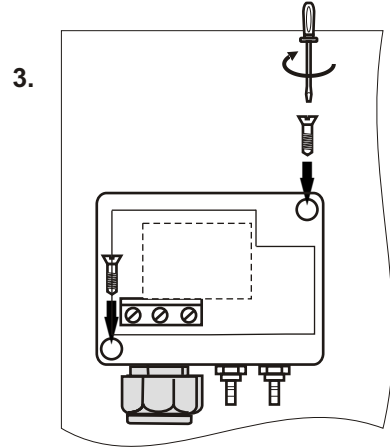
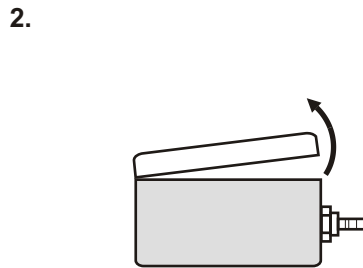
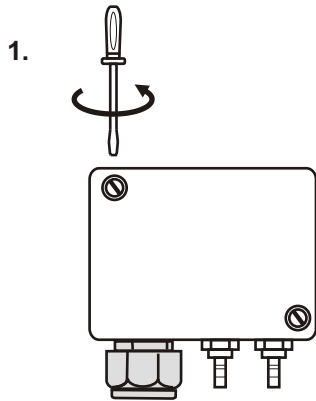


SPD310/ SPD360

Differential pressure sensor
 Differensetryckgivare
 Differenzdrucktransmitter
 Sonde de pression air
 Presostatos diferenciales aire
 Trasmettitore di pressione differenziale per aria

OFL-4196-003

Instruction
 Montageanvisning
 Bedienungsanleitung
 Instructions d'installation
 Instrucciones de empleo
 Istruzioni per installazioni



8. **SPD310 0...10V**

1000	100Pa	☐
1200	300Pa	☐
2500	500Pa	☐
5000	1000Pa	☐

1 2 3

sym. ☐

Zero ☐

SPD360 0...10V

300Pa	☐
500Pa	☐
1000Pa	☐
2500Pa	☐
mbar	☐
inch H ₂ O	☐
sym.	☐
Zero	☐

UG=15...36 VDC / 24 VAC ±10%