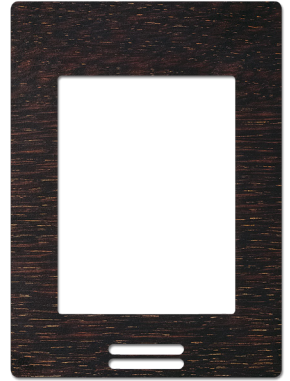
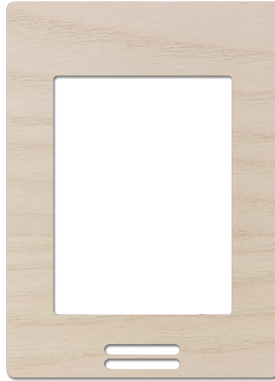


# Fascia Installation Guide

## SE8000 Series Room Controller Installation Guide for Replacement Fascia



For Fascia Part Numbers:

FAS-00

FAS-01

FAS-03

FAS-05

FAS-06

FAS-07

FAS-10

**NOTE:** always install Fascia at room temperature (15 °C - 35 °C).

1. Remove security screw on bottom of Room Controller cover.
2. Open unit by pulling on bottom of Room Controller (Figure 1).
3. Remove ZigBee Pro card if present.
4. Gently push out old Fascia through small opening on inside of front cover (Figure 2).
5. Align replacement Fascia with front cover so vent in Fascia aligns with gap at bottom of front cover (Figure 3).
6. Carefully press new Fascia into front cover until it snaps in place.  
**NOTE:** do not use excessive force to avoid causing damage to Fascia.
7. Press around edges of Fascia to ensure it is snugly secured in front cover.
8. Return ZigBee Pro card if removed in step 3.
9. Gently align cover to top of base and snap in place at bottom (Figure 4).
10. Install security screw.

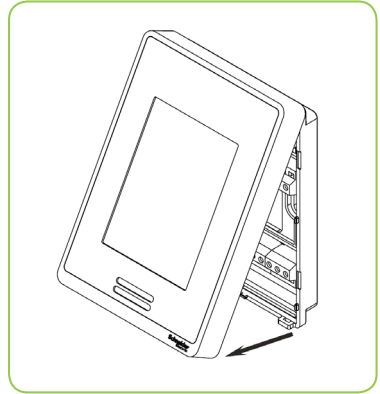


Figure-1

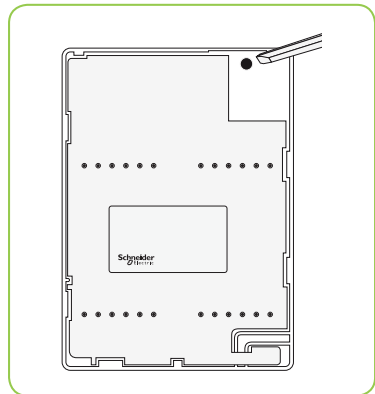


Figure-2

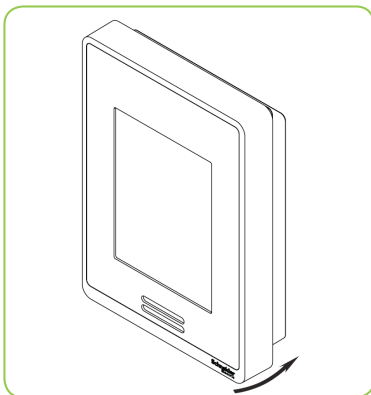


Figure-4

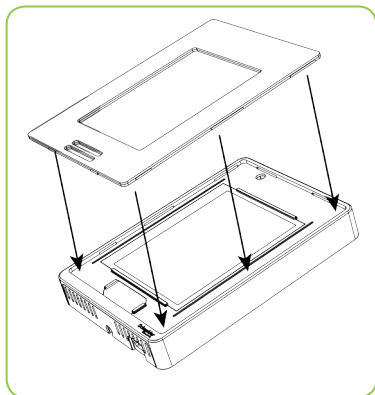


Figure-3