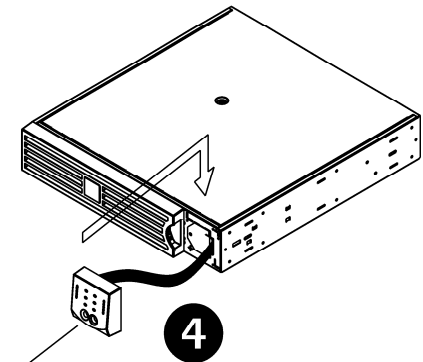
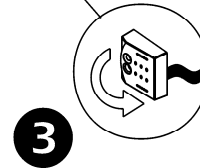
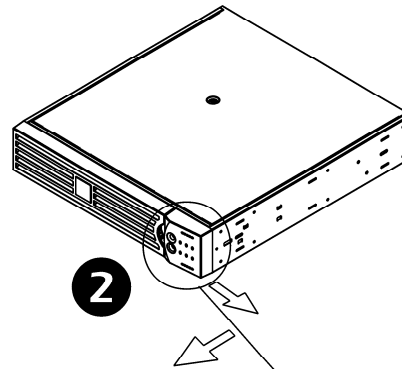
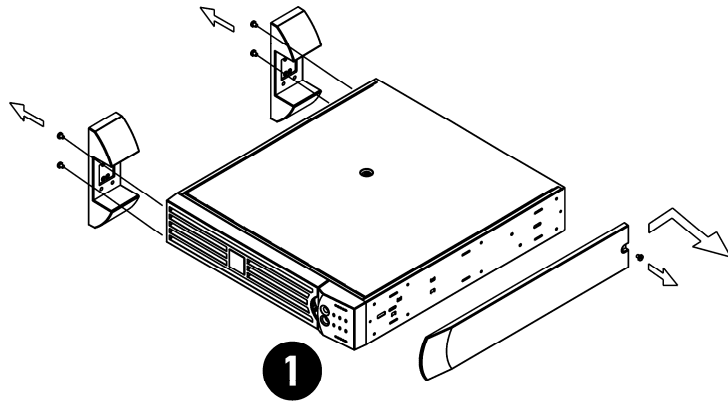



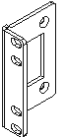
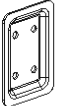
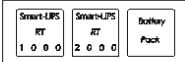
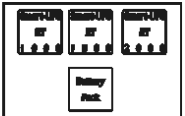
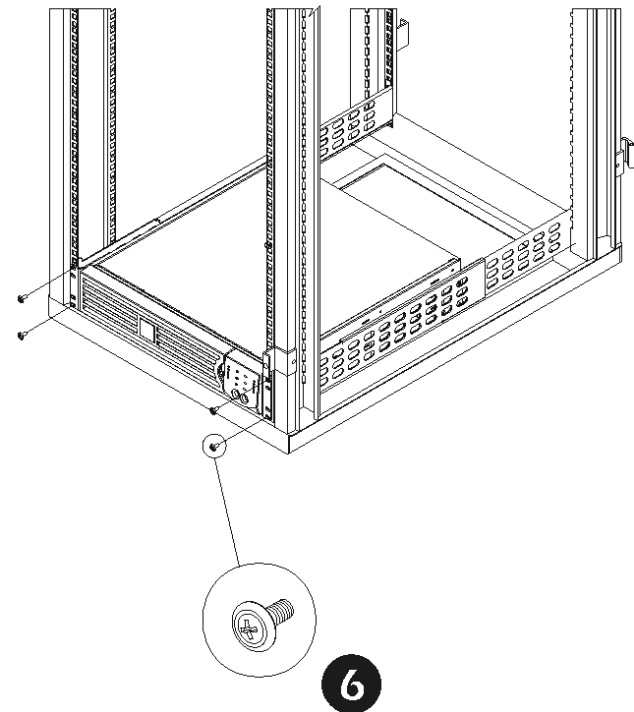
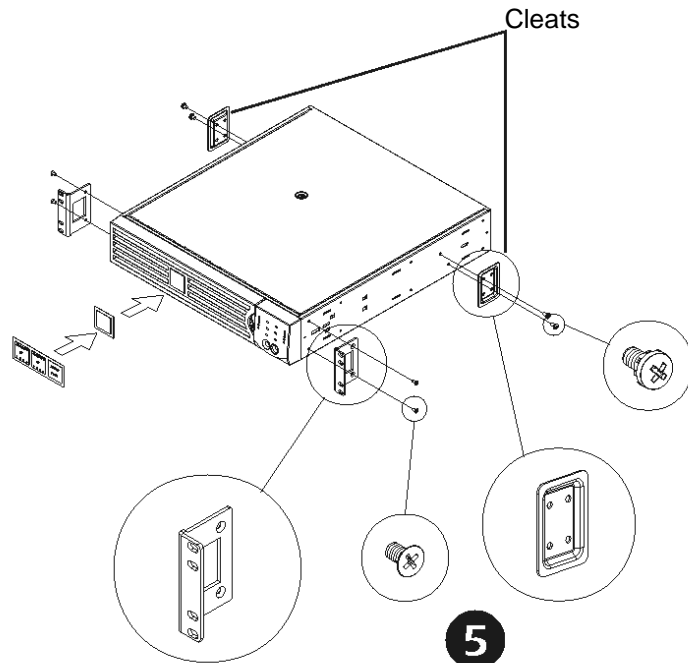


For units purchased in tower configuration, begin here. For units purchased in rack-mount configuration, begin with step **5** on the next page.



If using a rack-mount configuration, begin here. **NOTE: Cleats will be factory installed on units purchased for rack-mount configuration.**

	4
	4
	4
	2
	2
	1
	1



© 2014 APC by Schneider Electric. APC, the APC logo, and Smart-UPS are owned by Schneider Electric Industries S.A.S., or their affiliated companies. All other trademarks are property of their respective owners.