



SECURITY DOOR CONTROLS

3580 Willow Lane, Westlake Village, CA 91361-4921 • (805) 494-0622 • Fax: (805) 494-8861
www.sdcsecurity.com • E-mail: service@sdsecurity.com

THE MORTISE CYLINDER KEY SWITCH ADVANTAGE

SDC Key Switches may be keyed the same as existing mechanical locks and incorporated into the master key system.

Compatible with interchangeable core mortise key cylinders.

18 different contact configurations available (includes time delay options).

Heavy Duty ratings: 10 amps at 30VDC.
Standard Duty ratings: 6 amps at 30VDC.

STANDARD FEATURES

- Compatible with 1 1/8" and 1 1/4" standard and interchangeable core mortise key cylinders (supplied by others).

NOTE: 800 models for 10 amps require a 1 1/4" cylinder

- Key cylinder recessed for tamper resistance.†
- Tamper proof spanner screws.
- 6 amps or 10 amps at 30VDC.
- Finish: 630 dull stainless steel.
- 6" 22 gauge wire leads.
- Switch position adjustable for cylinder compatibility.
- Large actuator assembly for positive circuit activation.
- 700N, 800N and FR Series fit 1 3/4" hollow metal or aluminum frames.
- 700 and 800.

OPTIONS

- L1** One LED indicator light. Specify color: Red or Green. Specify voltage: 12V or 24V.
- L2** Two LED indicator lights. Red and Green. Specify 12V or 24V.
- ATS-1** Tamper switch SPDT. .25 amp max.
- RMB** Buzzer 12V or 24V. 2 gang box required.
- SN** Siren 6 to 28V. Specify AC or DC. 2 gang box required.
- 10TD** Time Delay, adjustable 1-60 seconds. Compatible with all momentary switches. Input: 12 or 24V.
- PS-1** Push Switch Alternate Action SPDT.
- PS-2** Push Switch Momentary SPDT. Indicate lens color: R-Red, G-Green, A-Amber. Add Suffix "L" for lighted Push Switch. Add Suffix "E" for "Exit" engraved switch. 2 gang box required.

FINISHES

- | | |
|------------------------------|--------------------------|
| 605 Bright Brass | 611 Bright Bronze |
| 606 Dull Brass | 612 Dull Bronze |
| 613 Oil Rubbed Bronze | 625 Bright Chrome |

SS-632 Spanner Screw Drivers are available.

†700N. FR not recessed.



FR SERIES

HIGH SECURITY COMMERCIAL/INDUSTRIAL

FR switches are designed to mortise through the face of the frame in a 1 3/4" hollow metal or aluminum frame with only the key cylinder exposed. No faceplate or screws are exposed for intruders or vandals to tamper with when installed on the pull side of the door opening.



700 SERIES
Standard



700N SERIES
Narrow

COMMERCIAL/INDUSTRIAL

The 700 style is wall mounted and fits a single gang mortise or surface mounted box.

The 700N is designed for mounting on a 1 3/4" minimum hollow metal or aluminum frame.

Material: 20 gauge stainless steel standard.



800 SERIES
High Security



800N SERIES
Narrow High Security

INDUSTRIAL/INSTITUTIONAL

The 800 style is wall mounted and fits a single gang mortise or surface mounted box.

The 800N is designed for mounting on a 1 3/4" minimum hollow metal or aluminum frame.

Material: 1/4" stainless steel.



SDC 702 x SN x L2 x PS-1

Example of Key Switch with several options combined.

Models 701-705 and 713 available 10 amp and 6 amp. All other models are 6 amp. For 6 amp switches add suffix (-6) after the model numbers.

MODEL	CONTACT	DESCRIPTION
FR01 701 701N 801 801N		ALTERNATE ACTION SPDT ON-OFF switch will make or break a circuit for extended periods of time, until key is inserted and turned again.
FR02 702 702N 802 802N		MOMENTARY SPDT Switch will momentarily make or break a circuit.
704D 804D		SOLID STATE TIME DELAY SPDT ADJUSTABLE 1-60 SECONDS Momentarily turn of the key activates timer. Two gang box mounted.
FR05 705 705N 805 805N		ALTERNATE ACTION DPDT ON-OFF Switch will either make or break two separate circuits for extended periods of time until key is inserted and turned again.
FR06 706 706N 806 806N		MOMENTARY DPDT Switch will momentarily make or break two separate circuits.
FR07 707 707N 807 807N		#1 MOMENTARY SPDT #2 MOMENTARY SPDT Key operates two separate switches. Turning key to the left momentarily makes or breaks circuit #1. Turning key to the right momentarily makes or breaks circuit #2.
FR08 708 708N 808		#1 MOMENTARY SPDT #2 ALTERNATE ACTION SPDT Key operates two separate switches. Turning key to the left momentarily makes or breaks circuit #1. Turning key to the right makes or breaks circuit #2 for extended periods of time.

#1 ALTERNATE ACTION SPDT
#2 ALTERNATE ACTION SPDT

FR09
709
709N
809
809N

Key operates two separate switches. Turning key to the left makes or breaks circuit #1 for extended periods of time. Turning key to the right makes or breaks circuit #2 for extended periods of time.

#1 SOLID STATE TIME DELAY SPDT. ADJ. 1-60 SECONDS
#2 ALTERNATE ACTION SPDT

710D
810D

Turning key left activates time delay. Turning key right makes or breaks circuit #2 for extended periods of time. 2 gang box mounted.

#1 MOMENTARY DPDT
#2 MOMENTARY DPDT

FR11
711
711N
811
811N

Key operates two separate switches. Turning key to the left momentarily makes or breaks circuit #1. Turning the key to the right momentarily makes or breaks circuit #2 for extended periods of time.

#1 MOMENTARY DPDT
#2 ALTERNATE ACTION DPDT

FR12
712
712N
812
812N

Key operates two separate switches. Turning key to the left momentarily makes or breaks circuit #1. Turning the key to the right makes or breaks circuit #2 for extended periods of time.

#1 ALTERNATE ACTION DPDT
#2 ALTERNATE ACTION DPDT

FR13
713
713N
813
813N

Key operates two separate switches. Turning key to the left momentarily makes or breaks circuit #1. Turning the key to the right makes or breaks circuit #2 for extended periods of time.

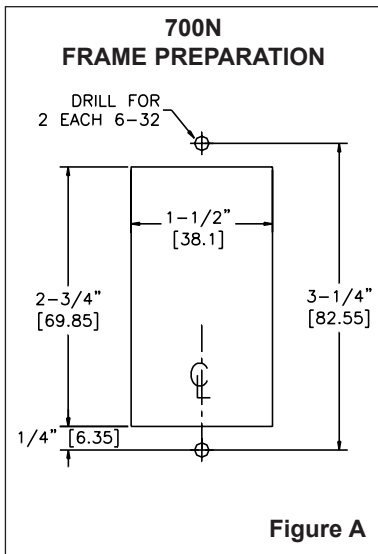


Figure A

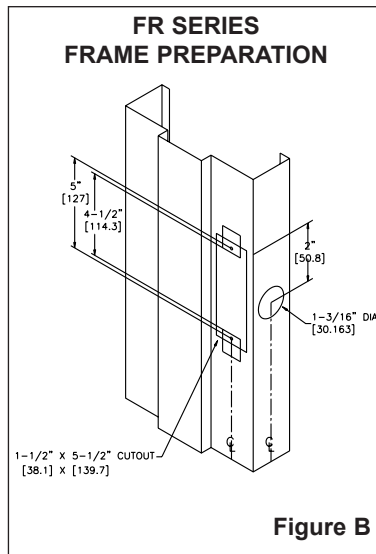


Figure B

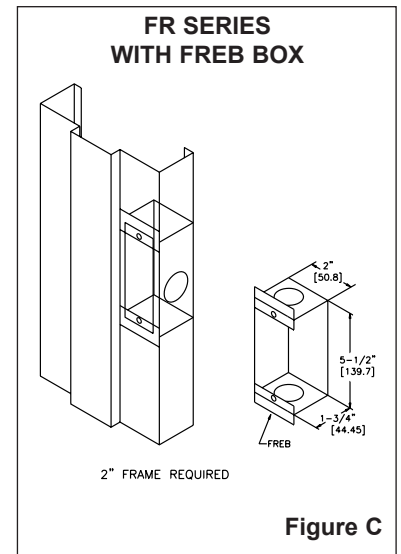


Figure C

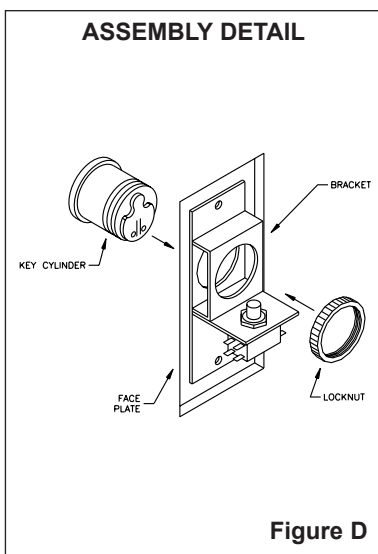


Figure D

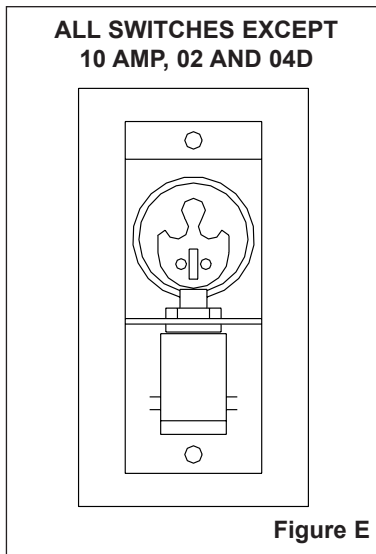


Figure E

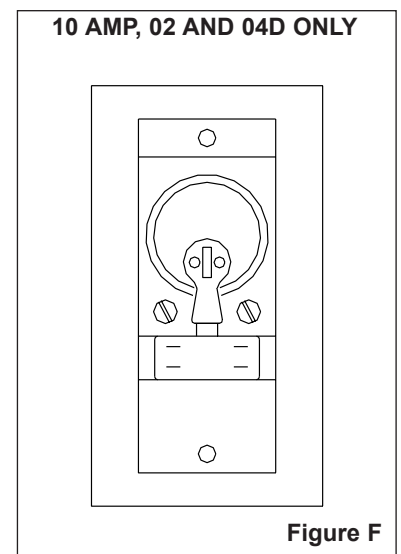


Figure F

FRAME PREPARATION

FR SERIES Key switches can be mortised in a 1 3/4" frame, with only the key cylinder exposed through the face of the frame. There is no faceplate for intruders or vandals to tamper with. Installation is accomplished through an access plate in the rabbet of the frame. For jamb preparation see Figure B. *Where electrical boxes are required see Figure C.

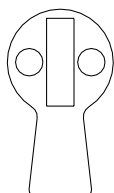
NARROW Key switches fit a 1 3/4" frame. For jamb preparation make cut out as shown in Figure A. Using faceplate as a template, drill and then tap for 6-32 screws.

KEY SWITCH ASSEMBLY

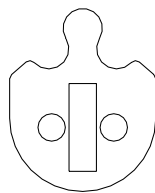
Check key cylinder for proper tailpiece. For 02 and 04D key switches only, invert tailpiece as shown in Figure F. Pass key cylinder through faceplate and switch bracket and tighten locknut. See Figure D. Install stop screws to 02 and 04D key switches only, as shown in Figure F.

Use key cylinder manufacturer's equivalent.

Tailpiece
Compatible 10 amp, 02, 04D and all dual switch assemblies.



ACTUAL SIZE



Tailpiece
Compatible with all SDC Key Switches, except 10 amp, 02, and 04D.

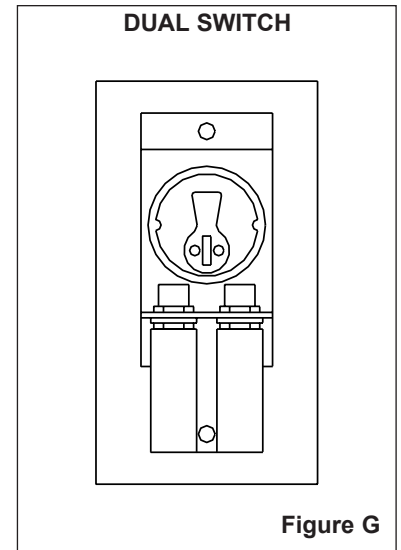


Figure G

WIRING

- WHITE -- Common
- ORANGE -- Normally Closed
- YELLOW -- Normally Open

400 SERIES SWITCH CONTROLS AND STATUS INDICATORS

The 400 Series switches and indicator lights may be used as on-site or remote door controls and status indicators. Designed for esthetic and technical compatibility with other widely used components, these switch combinations and options provide clean and efficient door controls for most applications.

STANDARD FEATURES

- 400 Series fit standard single gang boxes (narrow plate optional).
- All switches 1³/₄" deep unless stated otherwise.
- Faceplate: 20 gauge, dull stainless steel.
- 6" 22 gauge wire leads.
- Multiple stations available.

ORDERING INFORMATION

MO Momentary.
AA Alternate Action (ON-OFF).
SPDT Single Pole Double Throw. Unless stated otherwise, all switches are SPDT.
DPDT Double Pole Double Throw.
Specify lens color: R-Red, G-Green, A-Amber, W-White

OPTIONS

- N** 1³/₄" narrow face plate
E EXIT engraved button (401 through 411 only)
EM EXIT engraved mushroom switch
L Illuminated Push Switch (specify 12 or 24V)
L1 One Red or Green LED (specify 12 or 24V)
L2 One each Red and Green LED (specify 12 or 24V)
RMB Buzzer (specify 12 or 24V)
SN Siren, 85db. 6-28V AC or DC

MULTIPLE STATIONS

Add suffix indicated below to indicate quantity of stations required.

SUFFIX	STATIONS	SIZE FACEPLATE
2	2	2 gang
3	3	2 gang
4	4	3 gang
5	5	4 gang
6	6	5 gang

SPECIAL FINISHES

605	Bright Brass	611	Bright Bronze
606	Dull Brass	612	Dull Bronze
613	Oil Rubbed Bronze	625	Bright Chrome

WIRE COLOR CODE

- White - Common
 Yellow - Normally Open
 Orange - Normally Closed
 Red - Lamp

PUSH SWITCHES



402E



406

5/8" square button 5 amps. @ 30VDC.
 Specify lens color: R-Red, G-Green, A-Amber

- 401 AA**
402 MO
403D MO with 10TD time delay Adjustable 1-60 seconds.
404 MO DPDT
405 AA DPDT
406 2 MO
407 3 MO
408 2 AA
409 3 AA
410 1 AA and 1 MO
411 1 AA and 2 MO



10TD

10TD - Time Delay, adjustable 1-60 seconds. Compatible with all momentary switches.
Input: 12 or 24V
Output: SPDT Dry Contact

1 1/2" MUSHROOM SWITCH

6 amps. @ 30VDC (non-lampable). Available in Red or Green only.



432

- 431 AA** 2" depth NO or NC
432 MO 2" depth NO or NC
433D MO with 10TD Time Delay. 2" depth. Adjustable 1-60 seconds.
434 MO NO and NC

2 5/8" MUSHROOM SWITCH

For handicap application. Supplied on two gang plate only. 6 amps. @ 30VDC. Red or Green only.



442

- 441 AA** 2" SPDT
442 MO 2" SPDT
443D MO with 10TD Time Delay. 2" depth. Adjustable 1-60 seconds. (DBL Gang)
444 MO 3" depth. (2) MO, NO and (2) MO, NC

LED STATUS INDICATORS

(specify 12 or 24V)



400-L2

- 400-L1** One Red or Green. Specify
400-L2 One each Red and Green
400-L3 One each Red, Green and Amber