

en



Wiser app

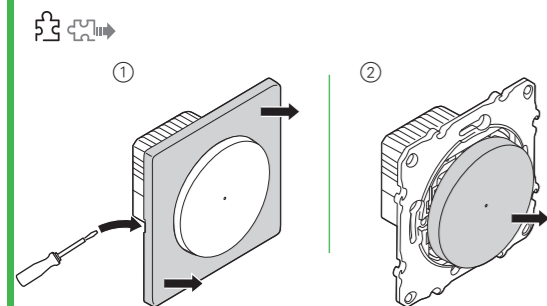
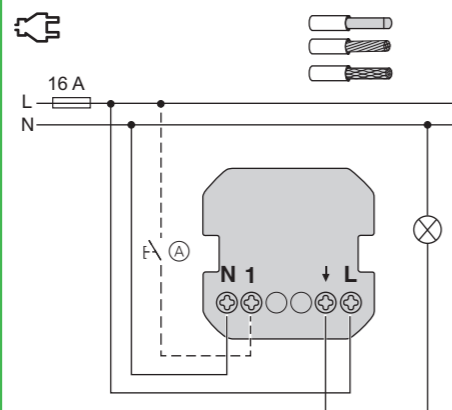
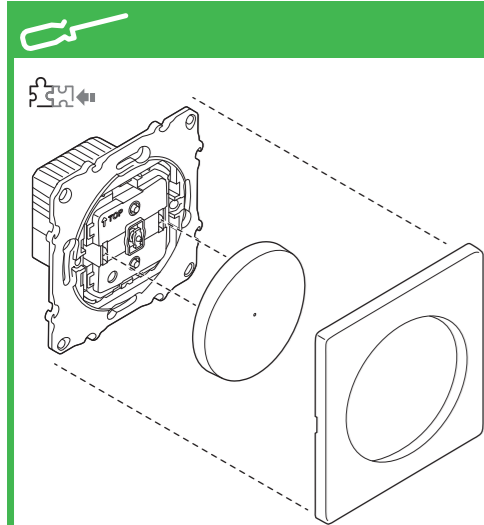


S520530, S530530, S540530

Wiser



	LED	200 W		1050 VA		1000 VA
		2200 W	<b>C</b>	10 A, 140µF		
		2000 W		200 W		
				500 VA		



en

## Wiser relay switch 10 A

### Necessary accessories

To be completed with:

- Frame in corresponding design

### Prerequisites and accessories

- A Bluetooth-capable **smartphone/tablet** (referred to below as **smartphone**) with Bluetooth 4.1 or higher is required. Operating systems: Android™ 5.1 or higher, Apple® iOS 10.3 or higher.
- Download the **Wiser app** to your smartphone. You can use the app to couple, set up and control Wiser devices.
- Home control via the Internet: Supplement your Wiser system with the **Wiser Home Touch** control unit.

### Product information is available

More detailed product information is available on the Internet -> Download document



[http://download.schneider-electric.com/files?p\\_Doc\\_Ref=S5x05xx\\_HWadd\\_EN](http://download.schneider-electric.com/files?p_Doc_Ref=S5x05xx_HWadd_EN)

### For your safety

**DANGER**  
**HAZARD OF ELECTRIC SHOCK, EXPLOSION, OR ARC FLASH**

Safe electrical installation must be carried out only by skilled professionals. Skilled professionals must prove profound knowledge in the following areas:

- Connecting to installation networks
- Connecting several electrical devices
- Laying electric cables
- Safety standards, local wiring rules and regulations

Failure to follow these instructions will result in death or serious injury.

**DANGER**  
**Risk of fatal injury from electric shock.**

The output may carry electrical current even when the load is switched off.

- When working on the device: Always disconnect the device from the supply by means of the fuse in the incoming circuit.

Failure to observe these instructions will lead to death or serious injuries.

### Getting to know the Wiser relay switch 10 A

With the Wiser relay switch 10 A (hereinafter referred to as **relay switch**), you can switch ohmic, inductive or capacitive loads.

#### Control options

**Room control:** To actuate the relay switch within a room, it can be coupled either with your smartphone or with another Wiser device. This coupling type is a default factory setting.

**Home control:** You can control the Wiser devices via the Internet using Wiser Home Touch.



**On-site operation:** The relay switch can always be controlled directly on-site. You can also connect any number of mechanical push-buttons.

#### Functions

Properties:

- Operation with extension unit (mechanical push-button)

Settings:

- Resetting to default settings/Bluetooth

Additional app functions (default setting: no functions active):

- Timer mode
- Time switch (weekday switching, astro and random function)
- Status LED display (e.g. load on, orientation light)
- Coupling to other devices

### Mounting the relay switch

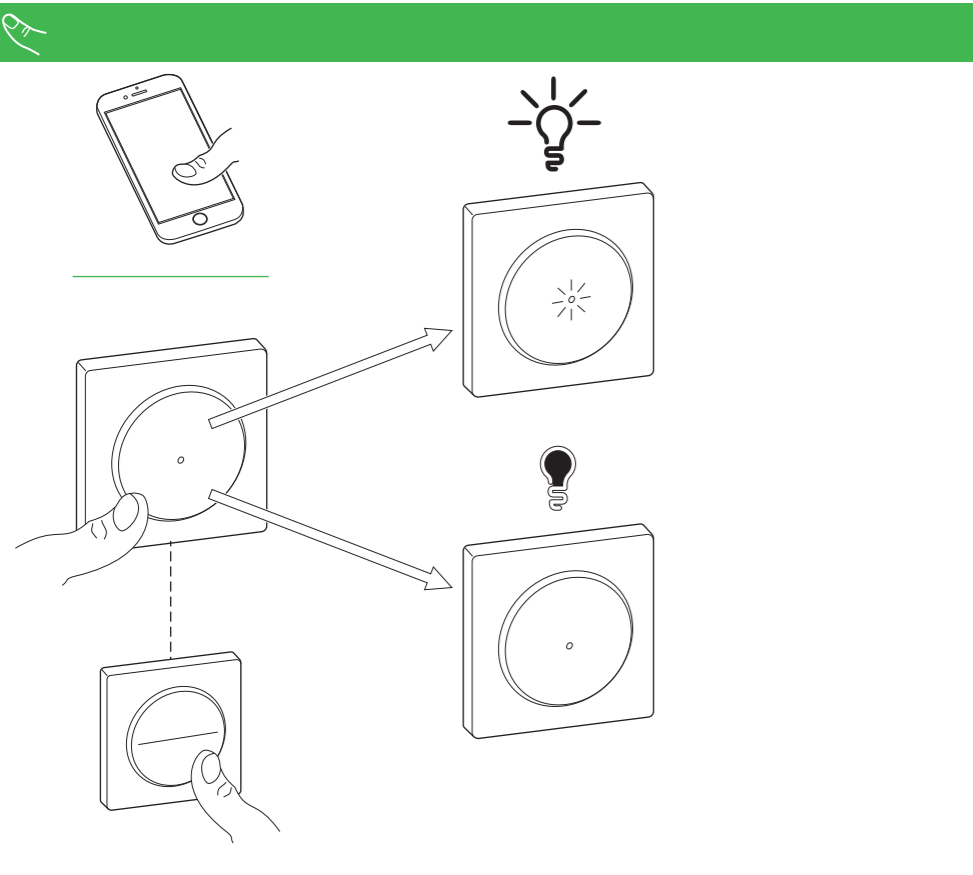
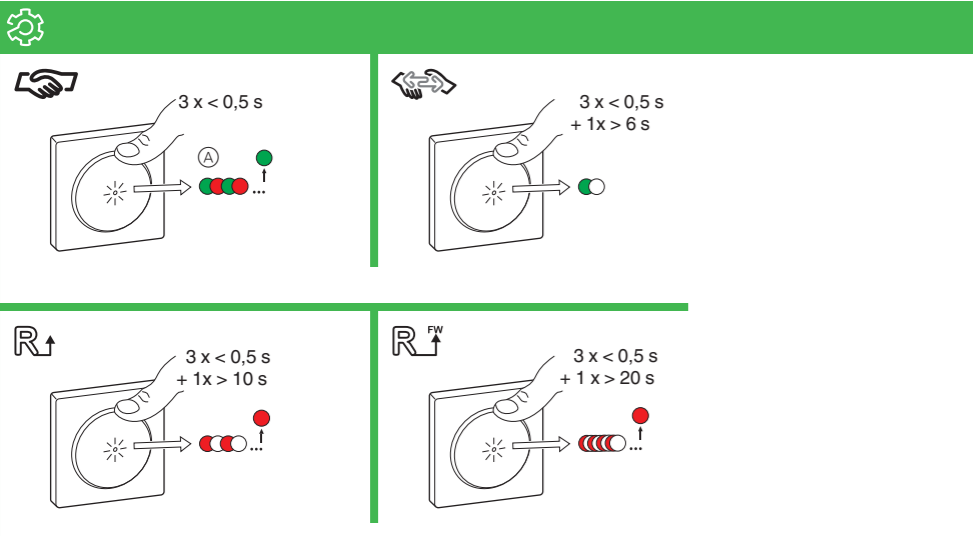


- Ⓐ Mechanical push-button at extension unit connection (optional)

#### Removing the cover

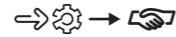


- 1 Remove the frame.
- 2 Pull the push-button off.



## Setting the relay switch

### Coupling the relay switch



(A) Status LED (red/green)

#### Room control: Relay switch <-> smartphone

Select the function to add new devices in the Wiser app.  
Follow the instructions in the Wiser app.



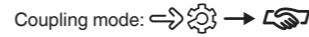
Please note:

- You can couple a maximum of 15 smartphones with the relay switch.
- Keep both devices within Bluetooth range of one another during coupling.
- Coupling mode is active for 30 s.

#### Room control:

##### Controlling Wiser device <-> Wiser device

First set the controlling Wiser device and then the Wiser device to be controlled into coupling mode.



Coupling mode: Coupling takes place automatically.



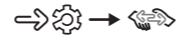
You can couple a maximum of 10 Wiser devices with each other.

#### Home control:

##### Relay switch <-> smartphone

-> See product information

### Decouple Wiser devices



All control links between the device and other Wiser devices are deleted.

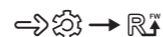
### Resetting to default settings



All configuration data, user data and network data are deleted.

All settings are then set to default settings (see functions).

### Resetting to Bluetooth



The device is reset to the default settings and to Bluetooth.

## Operating the relay switch



Switch the load on and off with the relay switch or extension unit.

## What should I do if there is a problem?

#### Connected load does not switch on:

- Check the power supply.
- Switch the relay switch off and back on again.
- Check the load.
- In the case of an external push-button, check the wiring.
- Re-couple coupled Wiser devices.

## Technical data

Nominal voltage: AC 230 V ~, 50 Hz

Nominal power: W

Standby: max 0.4 W

Connecting terminals: Screw terminals for max. 2 x 2.5 mm<sup>2</sup>  
0.5 Nm

Extension unit: Single push-button, unlimited number  
max. 50 m

Fuse protection: 16 A circuit breaker

Nominal current: 10 A, cosφ = 0.6

Frequency band: 2.4 GHz

Transmission capacity: 2.5 mW



Dispose of the device separately from household waste at an official collection point. Professional recycling protects people and the environment against potential negative effects.

### Trademarks

- Apple® and App Store® are brand names or registered trademarks of Apple Inc.
- Google Play™ Store and Android™ are brand names or registered trademarks of Google Inc.

Other brands and registered trademarks are the property of the relevant owners.

### EU Declaration of conformity

Hereby, Schneider Electric Industries, declares that this product is in compliance with the essential requirements and other relevant provisions of RADIO EQUIPMENT DIRECTIVE 2014/53/EU. Declaration of conformity can be downloaded on: [schneider-electric.com/docs](http://schneider-electric.com/docs).

## Schneider Electric Industries SAS

If you have technical questions, please contact the Customer Care Centre in your country.

[schneider-electric.com/contact](http://schneider-electric.com/contact)