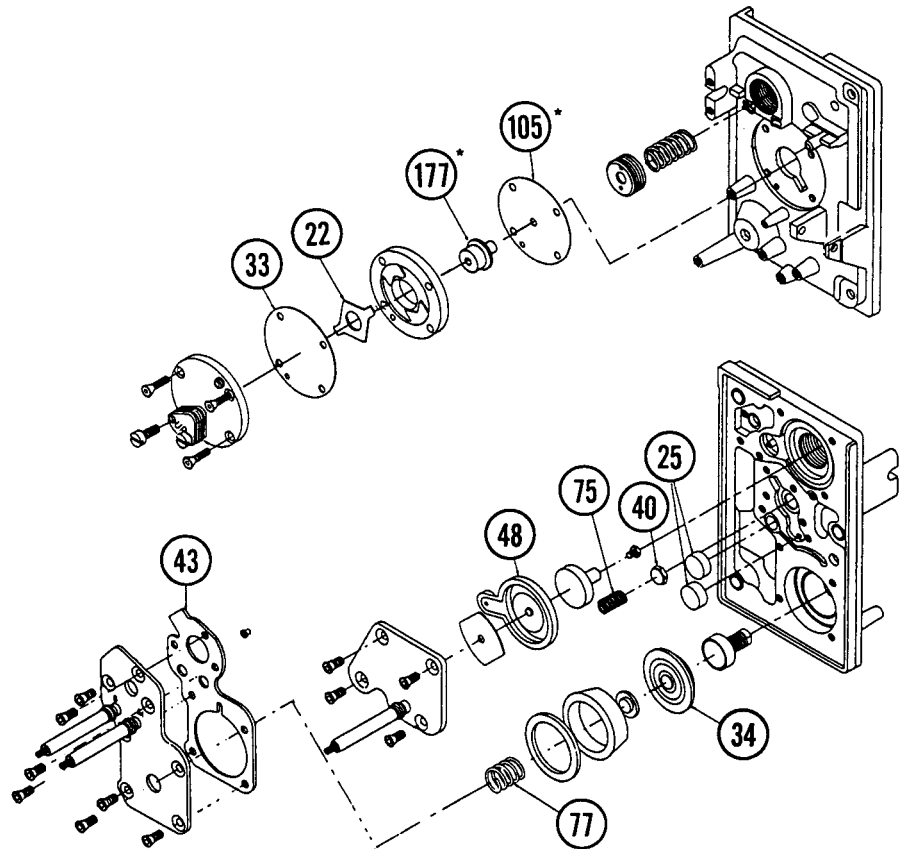


TOOL-115 (Torx T-8 screwdriver or offset wrench) is required to install this kit for thermostats manufactured after 1-1-81.



| Item No. | Quantity Used | | | | | | | | Description | Quantity in Kit |
|-------------------|---------------|------|------|------|------|------|------|------|----------------------------|-----------------|
| | 100X | 110X | 12X1 | 13XX | 16XX | 1X7X | 17XX | 18XX | | |
| 22 | 1 | 1 | 1 | 1 | 1 | 1 | 1 | 1 | Pilot Diaphragm Spring | 1 |
| 25 | 2 | 2 | 2 | 2 | 2 | 2 | 2 | 2 | Main Filter, Branch Filter | 2 |
| 33 ^b | 1 | 1 | 1 | 1 | 1 | 1 | 1 | 1 | Pilot Diaphragm Assembly | 1 |
| 34 | 1 | 1 | 1 | 1 | 1 | 1 | 1 | 1 | Feedback Diaphragm | 1 |
| 40 | 1 | 1 | 1 | 1 | 1 | 1 | 1 | 1 | Main Valve Plug | 1 |
| 43 | 1 | 1 | 1 | 1 | 1 | 1 | 1 | 1 | Back Gasket | 1 |
| 48 | N/A | N/A | 1 | 1 | 1 | 1 | 1 | N/A | Switch Over Diaphragm | 1 |
| 75 | 1 | 1 | 1 | 1 | 1 | 1 | 1 | 1 | Main Valve Spring | 1 |
| 77 | 1 | 1 | 1 | 1 | 1 | 1 | 1 | 1 | Feedback Spring | 1 |
| 105 ^{ab} | 1 | 1 | 1 | 1 | 1 | 1 | 1 | 1 | Branch Diaphragm | 1 |
| 177 ^{ab} | 1 | 1 | 1 | 1 | 1 | 1 | 1 | 1 | Vent Nozzle | 1 |

^a Part numbers 33, 105, and 177 must be replaced as a set.

^b Part numbers 105 and 177 were factory assembled as one part before 10-1-88.

On October 1st, 2009, TAC became the Buildings business of its parent company Schneider Electric. This document reflects the visual identity of Schneider Electric, however there remains references to TAC as a corporate brand in the body copy. As each document is updated, the body copy will be changed to reflect appropriate corporate brand changes.