

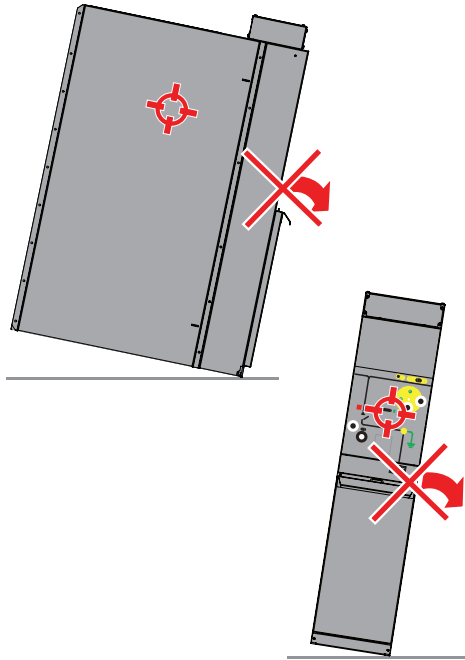


QUICK SET-UP PREMSET

⚠ WARNING

- Reading of **Installation guide** is compulsory.
- Testing and commissioning is compulsory before energized.

Gravity center

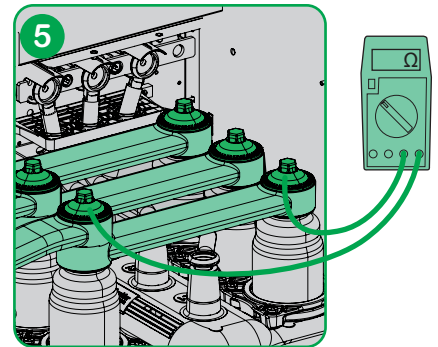
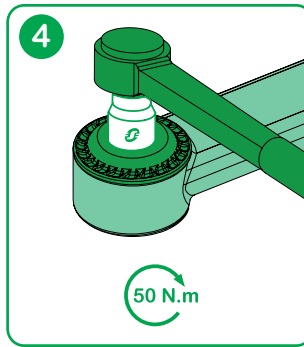
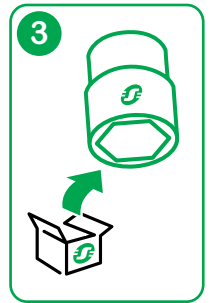
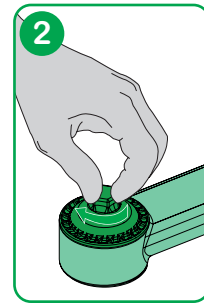
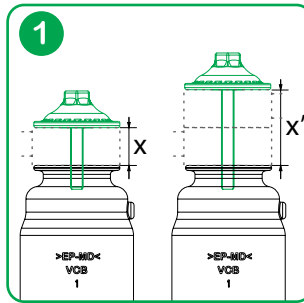


Busbar assembly



50 N.m

24



MV cables



50 N.m

