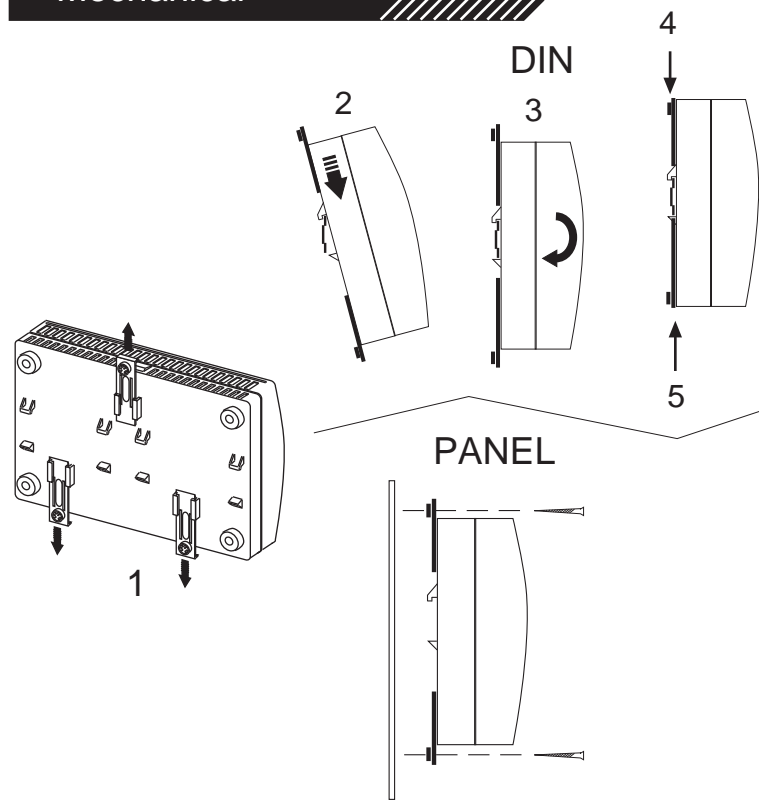


Mechanical



Andover Continuum
Power Supply Installation
30-3001-1005 Rev B.1



Wiring Rules

These modules are intended for installation within the UL Listed enclosure model 3P-UL-ENCL

- High voltage AC Power wiring should be routed to the conduit opening nearest the AC power terminals.
- Do not bundle or route AC Power wiring with low voltage input or output wiring.
- This product must be installed in accordance with NFPA70 (NEC), local codes, and authorities having jurisdiction (AHJs).

Building Ground Requirements

Be sure that all equipment from Schneider Electric is grounded to true earth ground. True earth ground protects the equipment from transients and other power surges in the area. We cannot guarantee that the controller system will operate as documented without a properly grounded installation.

An example of a sub-standard ground is a galvanized steel cold water pipe. As the pipe corrodes, it does not act as a true ground. The corrosion acts as an insulator, raising the potential of the pipe with respect to the ground.

When lightning strikes in the area of the installation, it drastically changes the potential of the Earth. Since properly grounded Schneider Electric units respond to changes in potential more rapidly than poorly grounded electrical systems, a poorly grounded building tries to reach ground through the Schneider Electric system. The surge of current can destroy electronic components on the controller board.

Surges of much lower potential than lightning also impact the reliability of the equipment.

Inspecting the Ground

Be sure to have your grounds inspected before you begin the installation.

Check your ground as follows:

Inspect the building power distribution panel for earth-ground termination. If the ground termination is any of the following, it is not adequate and must be corrected:

- Does not exist.
- Is connected to a corroded or galvanized pipe.
- Is connected using a small gauge wire (less than 14 AWG).

Be sure your Schneider Electric cabinet is connected to the ground with a copper conductor that terminates at the distribution panel.

Lightning Protection

Metal oxide varistors are built into the power supply to protect against power line transients.

Caution: Earth ground (⊕) must be connected to avoid module damage

WARNING: This product can expose you to chemicals including lead which is known to the State of California to cause cancer and which is known to the State of California to cause birth defects or other reproductive harm. For more information, go to www.P65Warnings.ca.gov

More Information

For complete installation on these products, see the Power Supply Reference, 30-3001-702. For documentation specific to Underwriters Laboratories (UL) evaluation, see the Note below.

UL Listings

UL LISTED 5882 US
UL 916 Listed product for the United States and Canada. Open Energy Management Equipment.

SECURITY LISTED SUB-ASSEMBLY 2869 **UL LISTED GENERAL SIGNALING EQUIPMENT SUB-ASSEMBLY 2869**
UL 294 (Access Control System Unit Subassemblies for the United States) and UL 1076 (Proprietary Burglar Alarm System Unit Subassemblies for the United States) and C22.2 No. 205-M1983 (Signal Equipment for Canada).

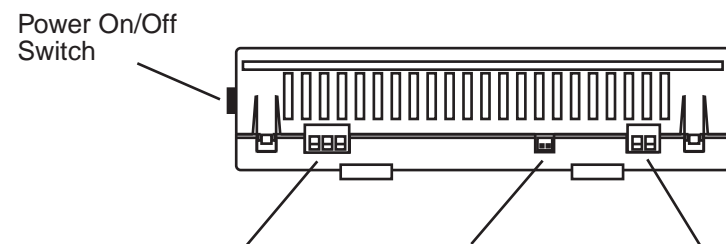
Note: Refer to the UL Listed Access Control/Proprietary Burglar Alarm System's installation manual (the *UL294 Access Control and UL 1076 Proprietary Burglar Alarm Systems Reference*, 30-3001-504) for specific wiring, operation, and compatibility information.

* The PS 120/240 AC 85-U model is only to be used for UL 294 applications.

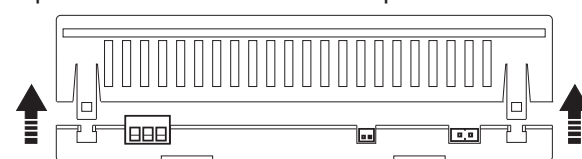
UL 294 7th Edition Compliance

UL 294 Feature	Level
Destructive Attack	I
Line Security	I
Endurance (Access control)	IV
Standby Power	I

Power Supplies PS 120/240 AC 50, AC 85, AC 50-U, AC 85-U / PS -48 DC 50, DC 50-U

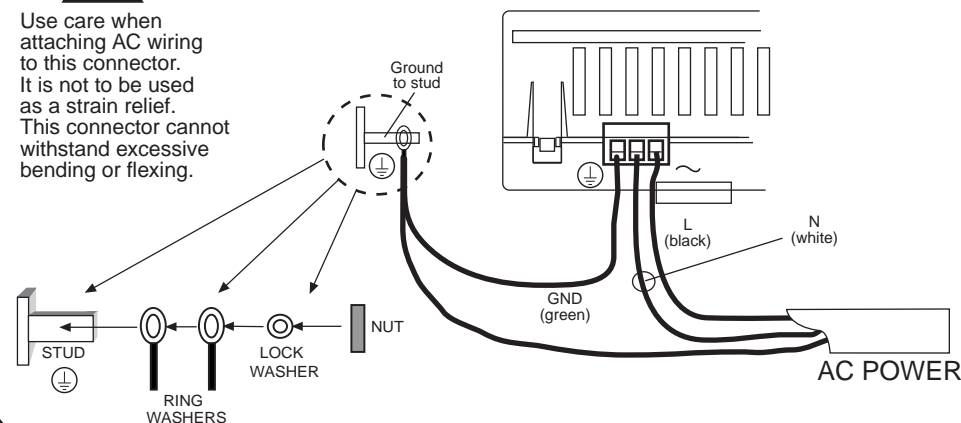


Open Case to Access Power Input Connector

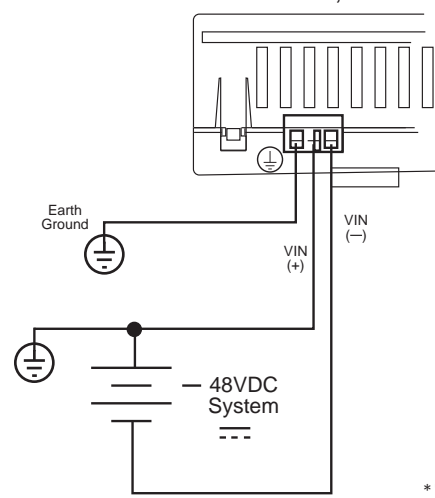


AC Power Connection (inside case) PS 120/240 AC 50, AC 50-U, AC 85, AC 85-U *

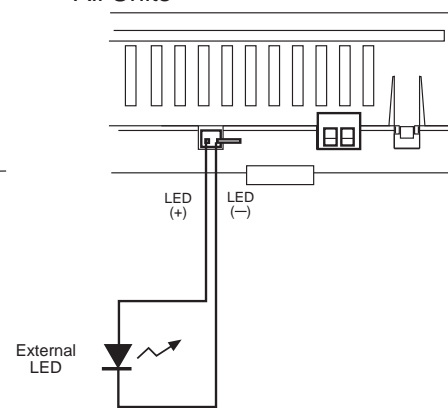
! Use care when attaching AC wiring to this connector. It is not to be used as a strain relief. This connector cannot withstand excessive bending or flexing.



DC Power Connection PS -48 DC 50, DC 50-U

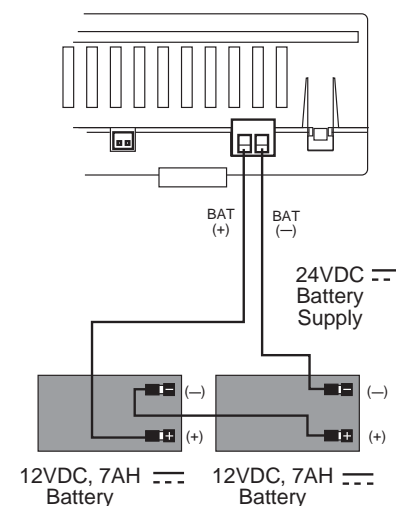


LED Power Indicator Connection All Units

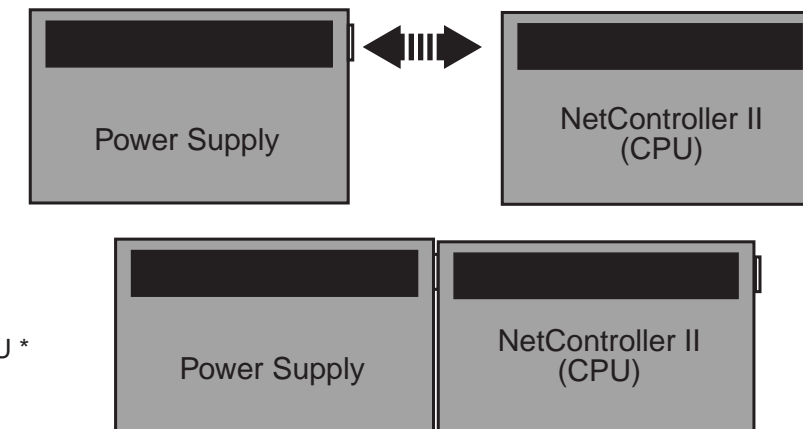


* The PS 120/240 AC 85-U model is only to be used for UL 294 applications.

Backup Battery Connection PS 120/240 AC 50-U, AC 85-U * and PS -48 DC 50-U



Direct Connect



Power Supply	Input Voltage	Output Power
PS 120/240 AC 50	120 - 240 VAC 50/60 HZ	50 W
PS 120/240 AC 50-U	120 - 240 VAC 50/60 HZ	35 W
PS 120/240 AC 85	120 - 240 VAC 50/60 HZ	85 W
PS 120/240 AC 85-U *	120 - 240 VAC 50/60 HZ	70 W
PS -48 DC 50	-48 VDC	50 W
PS -48 DC 50-U	-48 VDC	50 W