

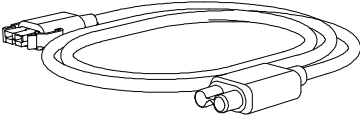
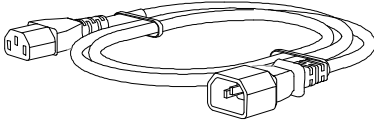
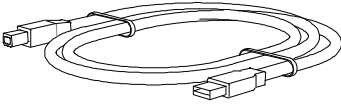



by Schneider Electric

Quick Start Guide APC Charge Mobile Power Supply for Surface Hub 2 - CSH2

Package Contents

Inspect the contents of the APC Charge Mobile Power Supply for Surface Hub 2 (APC Charge) upon receipt. Notify the carrier and dealer if the unit is damaged.

<p>DC cable</p> 	<p>AC pass through cable</p> 
<p>USB cable</p> 	<p>Hex screws x4</p>  <p>Note: Use 4 mm Allen key to assemble the APC Charge. The key is available in the Roam Mobile Stand package.</p>

Note: Use the AC power cord supplied with Surface Hub 2 to connect APC Charge to AC power.

Installation

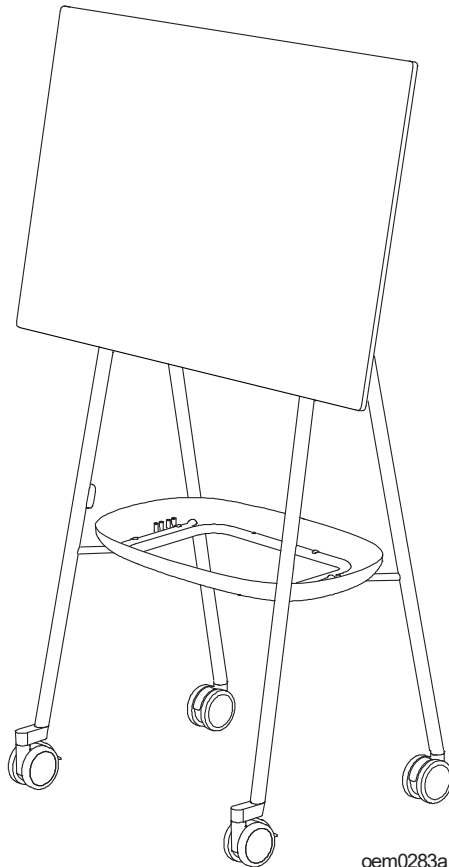
NOTICE

RISK OF FALLING EQUIPMENT

- Follow the installation instructions.
- Secure the APC Charge in the tray using all of the screws supplied for this purpose.

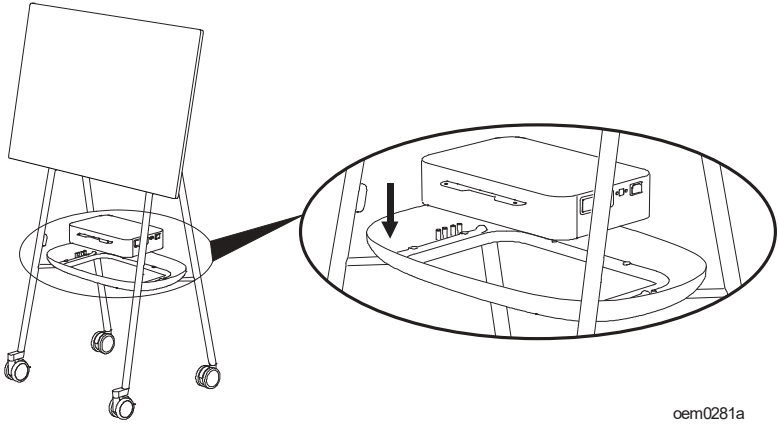
Failure to follow these instructions could result in equipment damage.

1



oem0283a

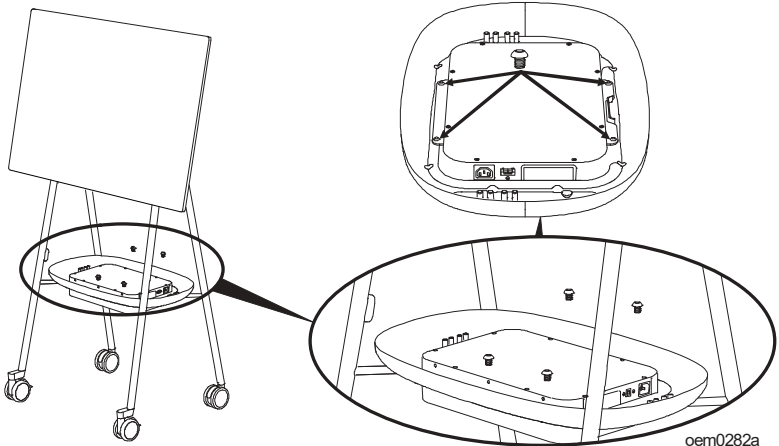
2



oem0281a

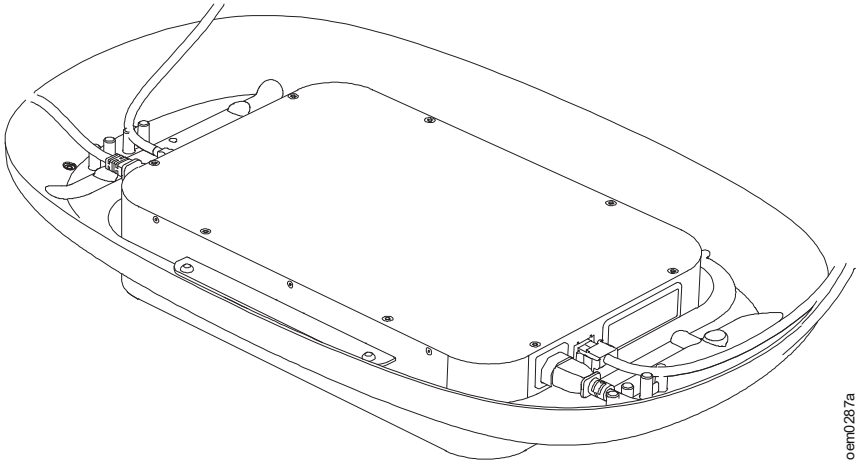
3

Secure the APC Charge to the Hub using 4 hex screws.



oem0282a

Input/Output connections



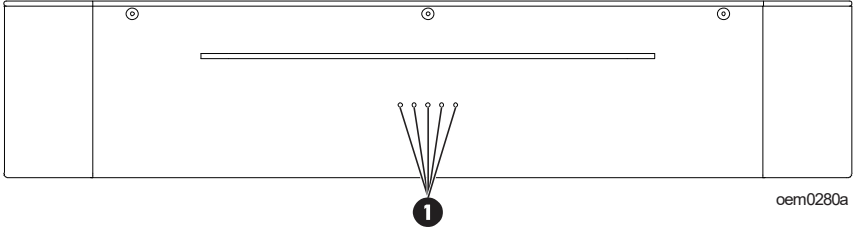
cem0287a

Panel Features

Note: Refer to the table “Key To Identify Front Panel Features” on page 6, that provides a key to the callout numbers for the panel graphics depicted in this manual.

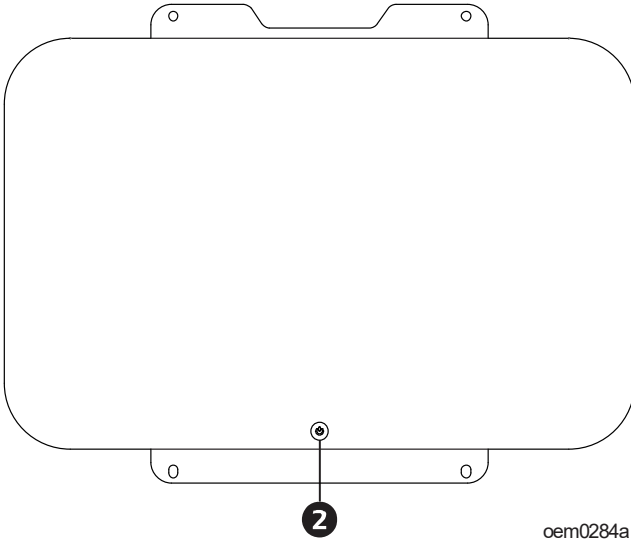
Status LEDs: 1, 2, 3, 4 and 5

(Starting from left when facing LEDs on the unit)



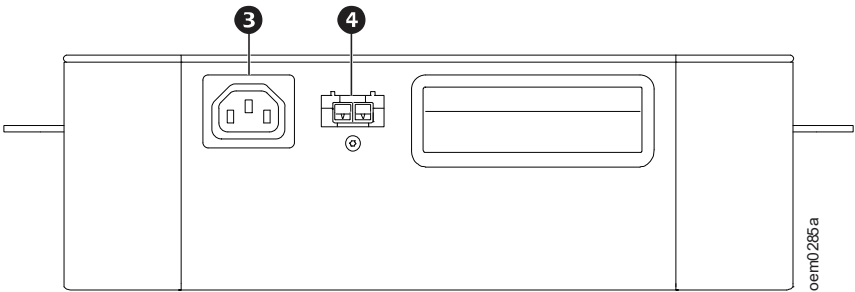
cem0280a

ON/OFF **button**



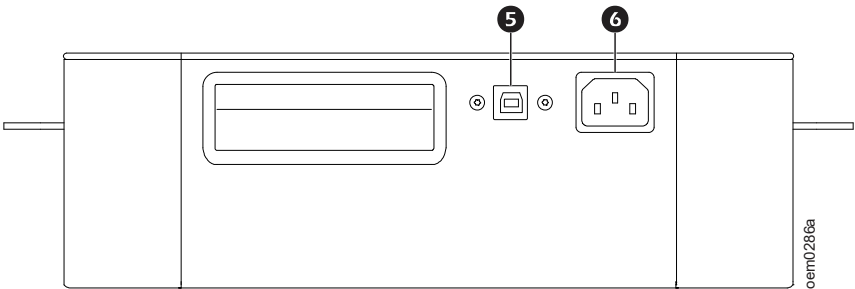
oem0284a

Side panel features 1



oem0285a

Side panel feature 2



oem0286a

Key To Identify Front Panel Features

1	Status LEDs	The 5 status LEDs indicate the state of charge in the following manner: <ul style="list-style-type: none">• 0-20%• 21%-40%• 41%-60%• 61%-80%• 81%-100% The LED1 turns red to indicate low battery of less than 12.5% state of charge.
2	ON/OFF button	See “Power On/Off functionality” in the user manual for details.
3	AC Output Connector	IEC 60320 C13
4	DC Output Connector	This connector provides regulated 24 VDC output.
5	USB port Type B	Use USB type B port for Battery parameters through Human Interface Device (HID).
6	AC Input Connector	IEC 60320 C14

