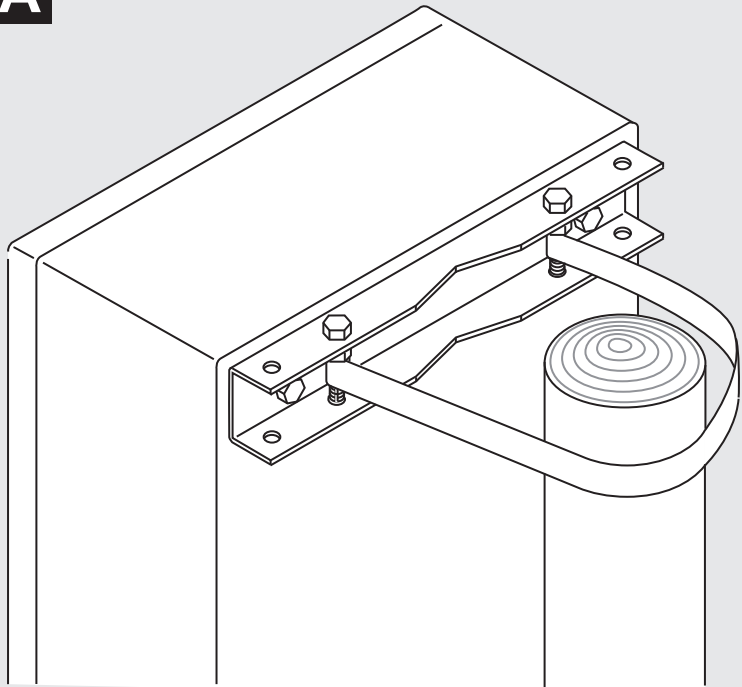
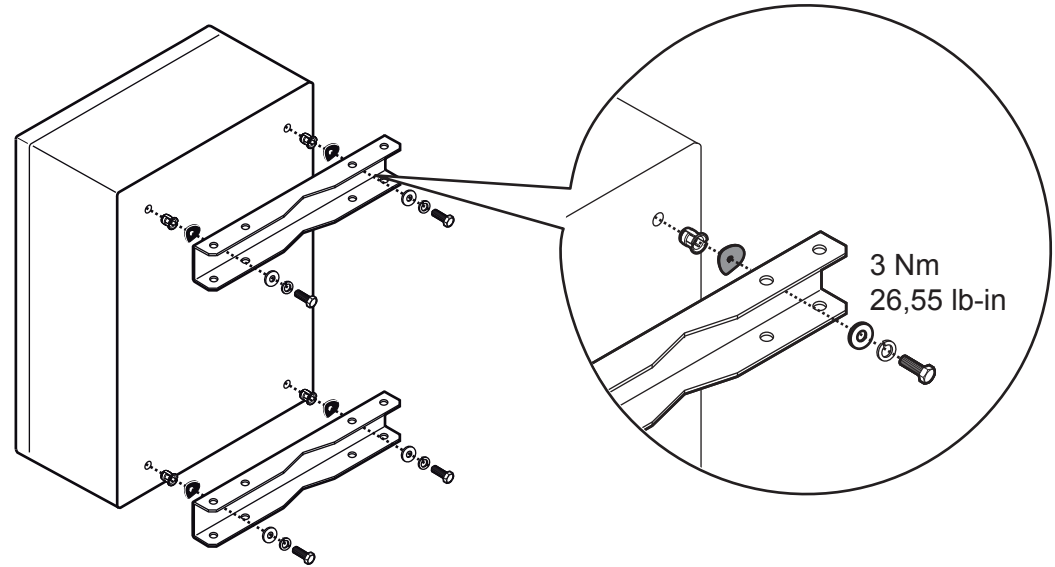


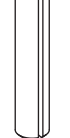


A**1** type 1 / type 2 / type 3 / type 4 / type 5

	type 1 M6 3 Nm 26,55 lb-in		type 2 diam. 6		type 3 8		type 4
--	--	--	--------------------------	--	--------------------	--	---------------

	type 5 6 3 Nm 26,55 lb-in		type 6 M8 3 Nm 26,55 lb-in		type 7 10 15 Nm 133 lb-in
---	---	---	--	---	---

Schneider
Electric

i type 6 / type 7