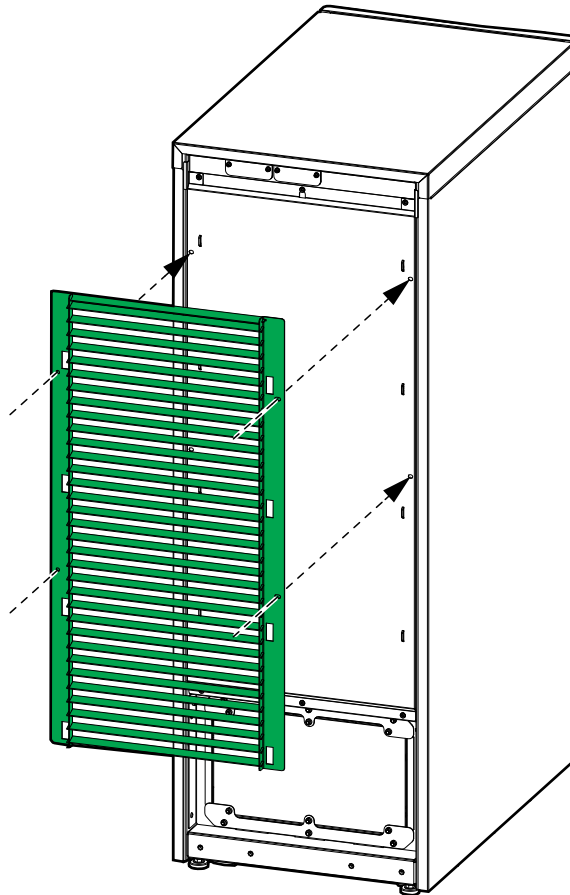


## Galaxy VS IP22 Kit for 521 mm Wide UPS (GVSOPT026)

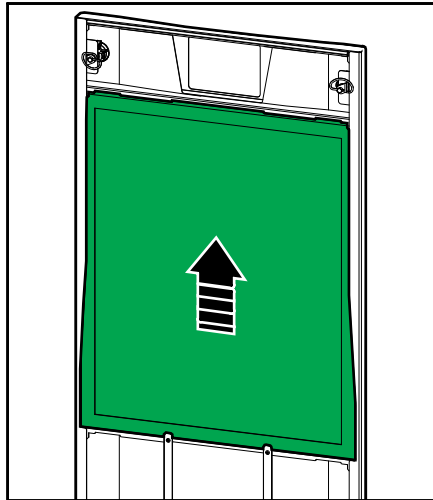
1. Install the rear IP22 cover on the rear of the UPS using the four screws from the UPS.

### Rear View of the UPS



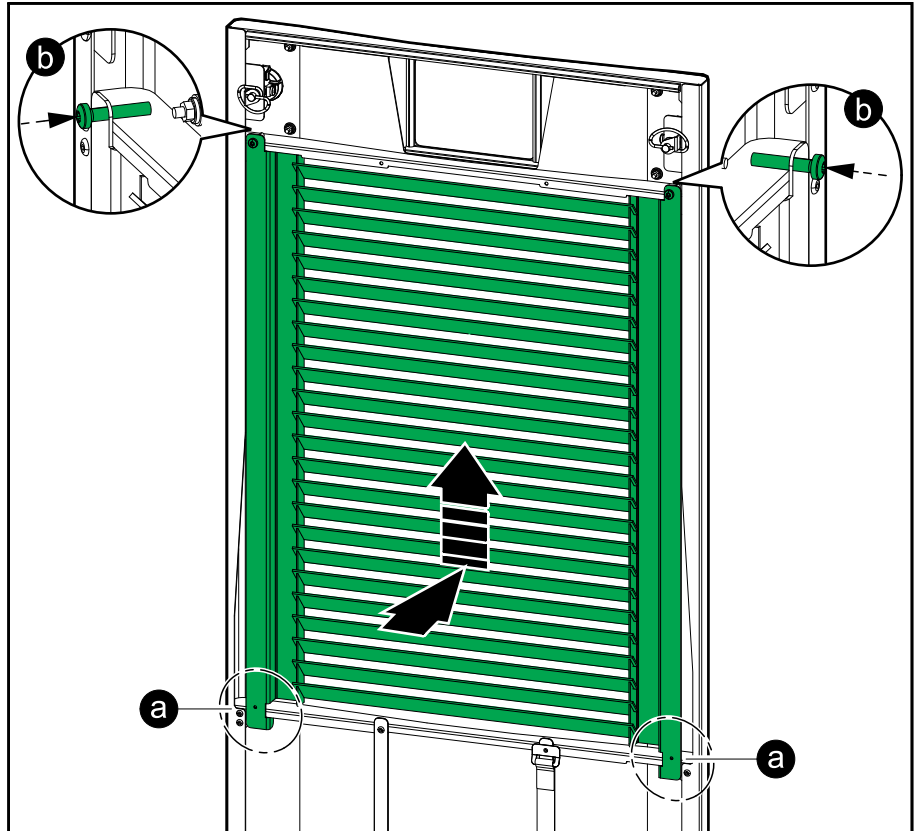
2. Remove the front panel from the UPS. Place the front panel on a piece of carpet or similar to avoid damage during the rest of this procedure.
3. Remove the air filter in the front panel.

**Rear View of the Front Panel**



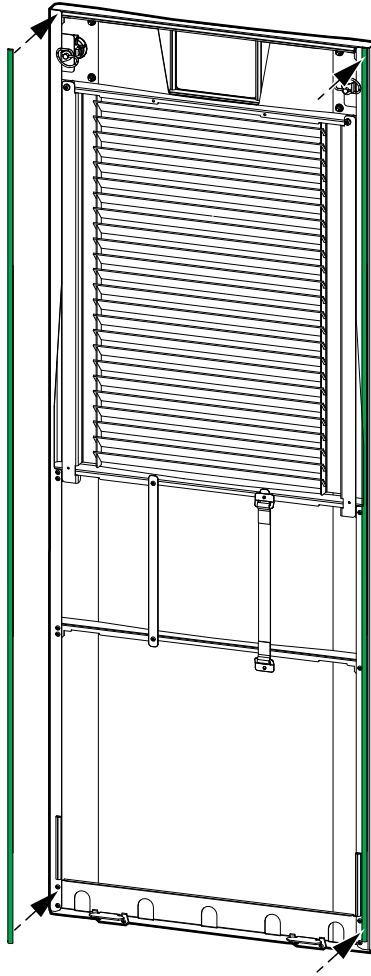
4. Install the IP22 cover on the rear of the front panel:
  - a. Push the IP22 cover into the metal grip in the bottom and then push it upwards.
  - b. Fasten the IP22 cover with two screws when it has been completely inserted in the front panel.

**Rear View of the Front Panel**



5. Mount the two provided rubber gaskets on each side of the front panel as close along the edge of the front panel frame as possible.

**Rear View of the Front Panel**



6. Reinstall the front panel on the UPS:
  - a. Insert the two tabs in the bottom of the front panel in the UPS at a tilted angle.
  - b. Reconnect the front panel strap to the UPS.
  - c. Close the front panel and lock with the two locking knobs.

