

Galaxy 300

60–80 kVA UPS and Classic Battery Cabinet

Receiving and Unpacking

05/2016



Legal Information

The Schneider Electric brand and any registered trademarks of Schneider Electric Industries SAS referred to in this guide are the sole property of Schneider Electric SA and its subsidiaries. They may not be used for any purpose without the owner's permission, given in writing. This guide and its content are protected, within the meaning of the French intellectual property code (Code de la propriété intellectuelle français, referred to hereafter as "the Code"), under the laws of copyright covering texts, drawings and models, as well as by trademark law. You agree not to reproduce, other than for your own personal, noncommercial use as defined in the Code, all or part of this guide on any medium whatsoever without Schneider Electric's permission, given in writing. You also agree not to establish any hypertext links to this guide or its content. Schneider Electric does not grant any right or license for the personal and noncommercial use of the guide or its content, except for a non-exclusive license to consult it on an "as is" basis, at your own risk. All other rights are reserved.

Electrical equipment should be installed, operated, serviced, and maintained only by qualified personnel. No responsibility is assumed by Schneider Electric for any consequences arising out of the use of this material.

As standards, specifications, and designs change from time to time, please ask for confirmation of the information given in this publication.

Table of Contents

Important Safety Instructions — SAVE THESE
INSTRUCTIONS.....5
 Safety Precautions6
 Storage Conditions8
UPS Shipping Weights and Dimensions9
 UPS Cabinet Clearance..... 10
Classic Battery Cabinet Shipping Weights and
Dimensions..... 11
 Classic Battery Cabinet Clearance 12
Receiving 13
Unpack the UPS Cabinet 14
Unpack the Classic Battery Cabinet 17

Important Safety Instructions — SAVE THESE INSTRUCTIONS

Read these instructions carefully and look at the equipment to become familiar with it before trying to install, operate, service or maintain it. The following safety messages may appear throughout this manual or on the equipment to warn of potential hazards or to call attention to information that clarifies or simplifies a procedure.



The addition of this symbol to a “Danger” or “Warning” safety message indicates that an electrical hazard exists which will result in personal injury if the instructions are not followed.



This is the safety alert symbol. It is used to alert you to potential personal injury hazards. Obey all safety messages with this symbol to avoid possible injury or death.

DANGER

DANGER indicates a hazardous situation which, if not avoided, **will result in death or serious injury.**

Failure to follow these instructions will result in death or serious injury.

WARNING

WARNING indicates a hazardous situation which, if not avoided, **could result in death or serious injury.**

Failure to follow these instructions can result in death, serious injury, or equipment damage.

⚠ CAUTION

CAUTION indicates a hazardous situation which, if not avoided, **could result in** minor or moderate injury.

Failure to follow these instructions can result in injury or equipment damage.

NOTICE

NOTICE is used to address practices not related to physical injury. The safety alert symbol shall not be used with this type of safety message.

Failure to follow these instructions can result in equipment damage.

Please Note

Electrical equipment should only be installed, operated, serviced, and maintained by qualified personnel. No responsibility is assumed by Schneider Electric for any consequences arising out of the use of this material.

A qualified person is one who has skills and knowledge related to the construction, installation, and operation of electrical equipment and has received safety training to recognize and avoid the hazards involved.

Safety Precautions

⚠ WARNING

HAZARD OF ELECTRIC SHOCK, EXPLOSION, OR ARC FLASH

- Do not unpack the units before the time of installation.
- Cover the units and store the units in a temperature controlled indoor environment free of conductive contaminants and humidity, where the units are protected from moisture until the time of start-up. Moisture inside the cabinet can create hazardous short circuits.

Failure to follow these instructions can result in death, serious injury, or equipment damage.

NOTICE

RISK OF EQUIPMENT DAMAGE

- Wait until the system is ready to be powered up before installing batteries in the system. The time duration from battery installation until the UPS system is powered up must not exceed 72 hours or 3 days.
- Batteries must not be stored more than six months due to the requirement of recharging. If the UPS system remains de-energized for a long period, Schneider Electric recommends that you energize the UPS system for a period of 24 hours at least once every month. This charges the batteries, thus avoiding irreversible damage.




Failure to follow these instructions can result in equipment damage.

Storage Conditions




UPS

▲ CAUTION
<p>RISK OF TILTING</p> <p>If the UPS cabinet does not contain batteries, it is top heavy and can tip easily. Move with care.</p> <p>Failure to follow these instructions can result in injury or equipment damage.</p>

NOTICE
<p>RISK OF EQUIPMENT DAMAGE</p> <p>Do not tip the UPS cabinet more than 10° as it will cause damage to the UPS cabinet.</p> <p>Failure to follow these instructions can result in equipment damage.</p>

		
<p>Temperature:</p> <p>-15 °C to 40 °C for systems containing batteries</p> <p>-25 °C to 55 °C for systems not containing batteries</p>	<p>Relative humidity:</p> <p>0% to 95% non-condensing</p>	<p>Elevation:</p> <p>≤ 15000 m above sea level (or in an environment with equivalent air pressure)</p>

Classic Battery Cabinet

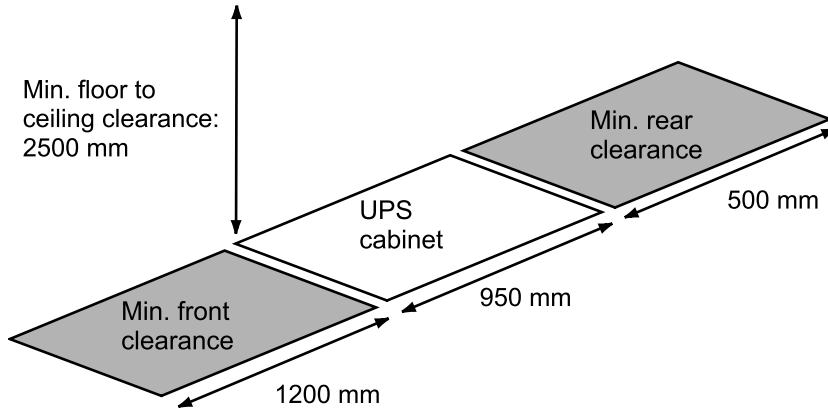
		
<p>Temperature:</p> <p>-15 °C to 40 °C</p>	<p>Relative humidity:</p> <p>0% to 95% non-condensing</p>	<p>Elevation:</p> <p>≤ 15000 m above sea level (or in an environment with equivalent air pressure)</p>

UPS Shipping Weights and Dimensions

UPS Cabinet	Weight kg	Height mm	Width mm	Depth mm
60 kVA UPS without internal batteries, 0 min CLA (G3HT60KHLS)	325	1995	824	1120
60 kVA UPS with internal batteries with 5 min battery runtime (G3HT60KHB1S)	600			
60 kVA UPS with internal batteries with 10 min battery runtime (G3HT60KHB2S)	685			
80 kVA UPS without internal batteries, 0 min CLA (G3HT80KHLS)	395			
80 kVA UPS with internal batteries with 5 min battery runtime (G3HT80KHB1S)	755			

UPS Cabinet Clearance

NOTE: Clearance dimensions are published for airflow and service access only. Consult with the local safety codes and standards for additional requirements in your local area.



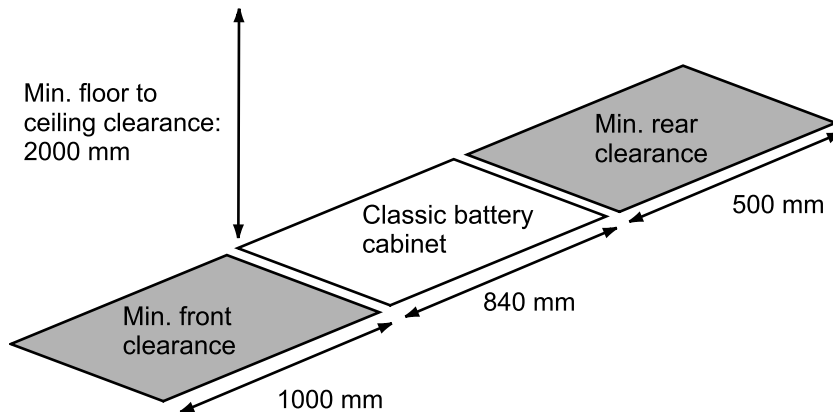
Classic Battery Cabinet Shipping Weights and Dimensions

Classic Battery Cabinet	Weight kg	Height mm	Width mm	Depth mm
Classic battery cabinet (G3HTBAT4)	875	1954	825	970
Classic battery cabinet (G3HTBAT5)	1040			
Empty classic battery cabinet (G3HTEFBATH)	145			

NOTE: The final weight of the cabinet with batteries depends on chosen runtime, number of battery blocks, and battery brand and type. The weights given here are only approximate weights measured with a Schneider Electric battery solution and must only be used as an indication of an approximate final weight.

Classic Battery Cabinet Clearance

NOTE: Clearance dimensions are published for airflow and service access only. Consult with the local safety codes and standards for additional requirements in your local area.



Receiving

External Inspection

When the shipment arrives, inspect the shipping material for any signs of damage or mishandling. Check tilt and impact indicators. Do not attempt to install the system if a damage is apparent. If any damage is noted, contact Schneider Electric and file a damage claim with the shipping agency within 24 hours.

Compare the components of the shipment with the bill of lading. Report any missing items to the carrier and to Schneider Electric immediately.

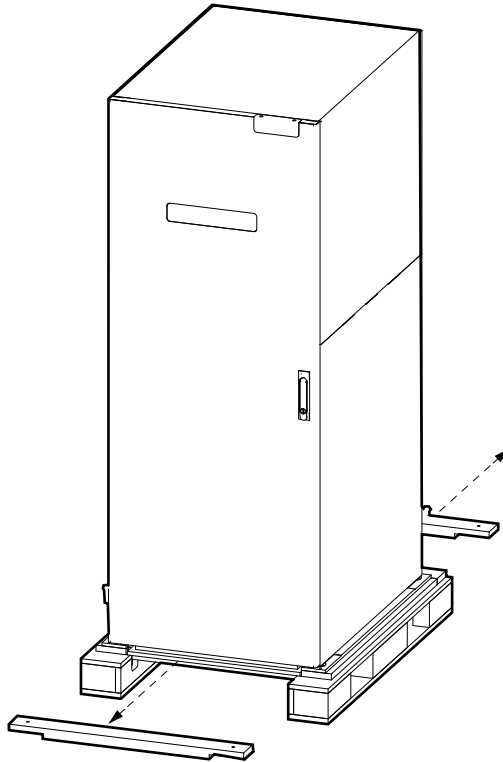
Verify that labelled units match the order confirmation.

Unpack the UPS Cabinet

NOTE: The shipping materials are recyclable. Save them for later use, or dispose of them appropriately.

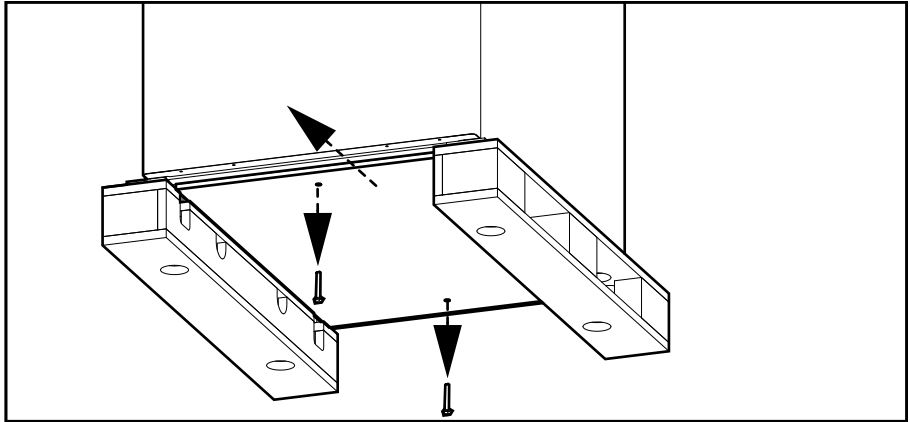
NOTE: The key to the UPS cabinet door is placed on the rear side of the front door – save the key.

1. Remove packaging materials: straps, foam parts, plastic wrapping, and cardboard.
2. Remove the screws on the front and rear wood parts and remove the front and rear wood parts.



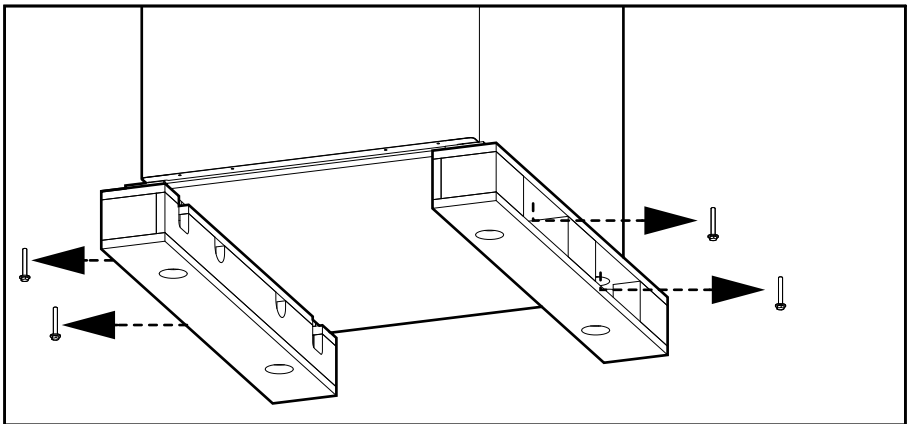
3. Remove the screws in the bottom wood parts and remove the bottom wood parts.

Front View of the UPS Cabinet



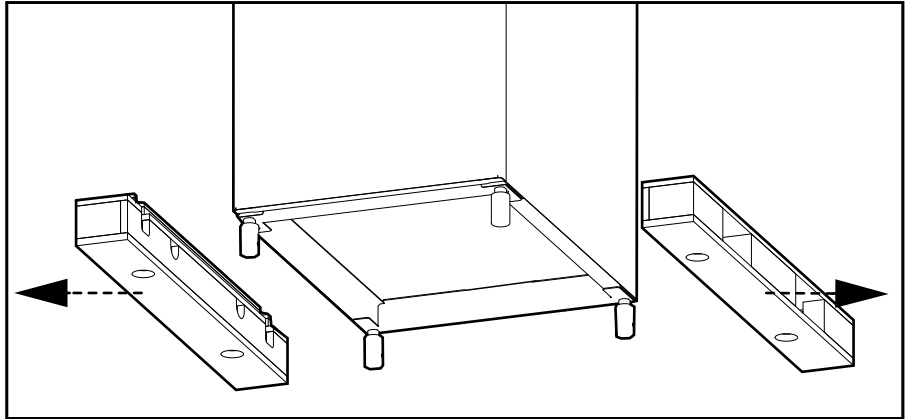
4. Remove the screws in the left and right pallet parts.

Front View of the UPS Cabinet



5. Lift the UPS cabinet on a forklift or similar and remove the left and right pallet parts by pulling them to the sides.

Front View of the UPS Cabinet



6. Move the UPS cabinet to the final installation location with the forklift.

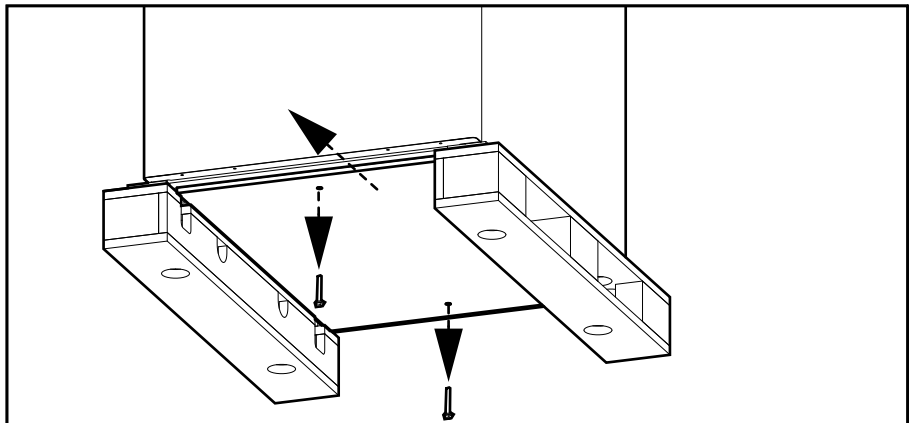
Unpack the Classic Battery Cabinet

NOTE: The shipping materials are recyclable. Save them for later use, or dispose of them appropriately.

NOTE: The key to the classic battery cabinet door is in the same bag as the unpacking manual – save the key.

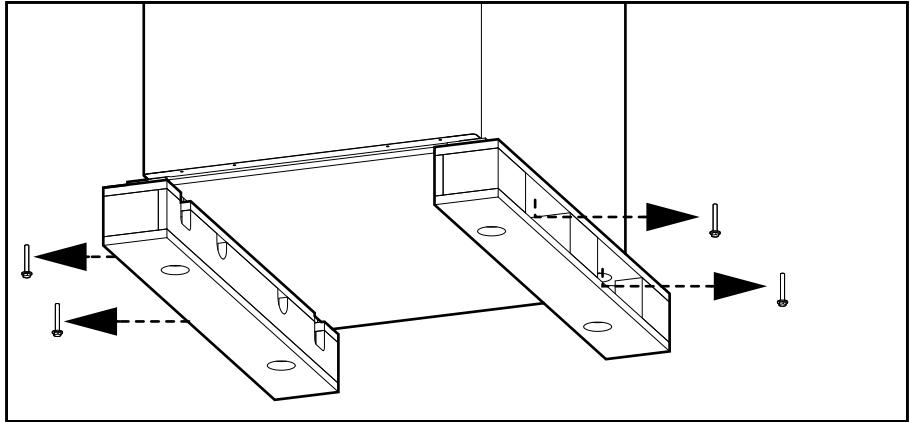
1. Remove packaging materials: straps, foam parts, plastic wrapping, and cardboard. Do not remove the cardboard on top of the classic battery cabinet.
2. Remove the screws in the bottom wood part and remove the bottom wood part.

Front View of the Classic Battery Cabinet



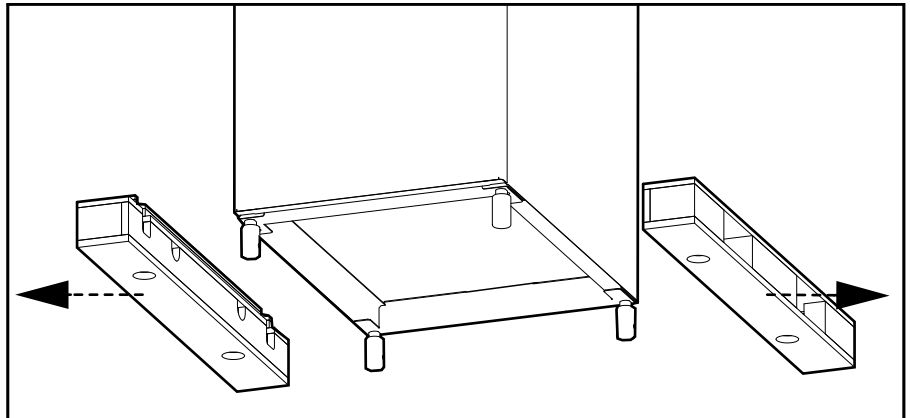
3. Remove the screws in the left and right pallet parts.

Front View of the Classic Battery Cabinet



4. Lift the classic battery cabinet on a forklift or similar and remove the left and right pallet parts by pulling them to the sides.

Front View of the Classic Battery Cabinet



5. Move the classic battery cabinet to the final installation location with the forklift.

Schneider Electric
35 rue Joseph Monier
92500 Rueil Malmaison
France

+ 33 (0) 1 41 29 70 00

www.schneider-electric.com

As standards, specifications, and design change from time to time, please ask for confirmation of the information given in this publication.

© 2015 – 2016 Schneider Electric. All rights reserved.

990-5448A-001