

# Galaxy PWi

10–200 kVA 3:3 and 10–120 kVA 3:1

## Receiving and Unpacking

03/2015



# Legal Information

The Schneider Electric brand and any registered trademarks of Schneider Electric Industries SAS referred to in this guide are the sole property of Schneider Electric SA and its subsidiaries. They may not be used for any purpose without the owner's permission, given in writing. This guide and its content are protected, within the meaning of the French intellectual property code (Code de la propriété intellectuelle français, referred to hereafter as "the Code"), under the laws of copyright covering texts, drawings and models, as well as by trademark law. You agree not to reproduce, other than for your own personal, noncommercial use as defined in the Code, all or part of this guide on any medium whatsoever without Schneider Electric's permission, given in writing. You also agree not to establish any hypertext links to this guide or its content. Schneider Electric does not grant any right or license for the personal and noncommercial use of the guide or its content, except for a non-exclusive license to consult it on an "as is" basis, at your own risk. All other rights are reserved.

Electrical equipment should be installed, operated, serviced, and maintained only by qualified personnel. No responsibility is assumed by Schneider Electric for any consequences arising out of the use of this material.

As standards, specifications, and designs change from time to time, please ask for confirmation of the information given in this publication.

# Table of Contents

Safety Precautions .....	5
Environmental .....	7
Weights and Dimensions without Packaging .....	8
Weights and Dimensions with Packaging .....	11
Clearance .....	14
Receiving .....	15
Unpacking the UPS .....	16



# Safety Precautions

## **⚠ WARNING**

### **HAZARD OF ELECTRIC SHOCK, EXPLOSION, OR ARC FLASH**

- Do not unpack the units before the time of installation.
- Cover the units and store the units in an indoor, temperature-controlled area, free of conductive contaminants, where the units are protected from moisture until the time of startup. Moisture inside the cabinet can create hazardous short-circuits.

**Failure to follow these instructions can result in death, serious injury, or equipment damage.**

## **⚠ CAUTION**

### **RISK OF EQUIPMENT DAMAGE**

- Wait until the system is ready to be powered up before installing batteries in the system. The time duration from battery installation until the UPS system is powered up must not exceed 72 hours or 3 days.
- Batteries must not be stored more than six months due to the requirement of recharging. If the UPS system remains de-energized for a long period, we recommend that you energize the UPS system for a period of 24 hours at least once every month. This charges the batteries, thus avoiding irreversible damage.

**Failure to follow these instructions can result in injury or equipment damage.**



# Environmental

## ⚠ WARNING

### HAZARD OF ELECTRIC SHOCK, EXPLOSION OR ARC FLASH

- Install the UPS system in a temperature controlled area free of conductive contaminants and humidity. Moisture inside the cabinet can create short-circuits.
- Install the UPS system on a non-inflammable, level and solid surface (e.g. concrete) that can support the weight of the system.

**Failure to follow these instructions can result in death, serious injury, or equipment damage.**

	Operation	Storage
Temperature	0 °C to 40 °C <sup>1</sup>	-25 °C to 55 °C
Relative humidity	0-90% non-condensing	
Elevation	1000 meters	<10000 meters
Derating (from 1000–3000 meters elevation)	1000m: 1.000 1500m: 0.975 2000m: 0.950 2500m: 0.925 3000m: 0.900	
Audible noise (1 meter from surface)	≤70 dBA at full load	
Color	RAL7035	

1. Optimal temperature is 5 °C to 25 °C. 40 °C at nominal voltage full load up to 8 hours.

# Weights and Dimensions without Packaging

## 3:1 220 VDC UPS with Input Transformer

kVA Rating	Type	Weight (kg)	Height (mm)	Width (mm)	Depth (mm)
10	Single	450	1800	800	800
	Parallel	468	1800	800	800
20	Single	493	1800	800	800
	Parallel	515	1800	800	800
30	Single	575	1800	800	800
	Parallel	595	1800	800	800
40	Single	665	1800	800	800
	Parallel	692	1800	800	800
60	Single	1057	1800	1200	800
	Parallel	1090	1800	1200	800
80	Single	1263	1800	1200	800
	Parallel	1328	1800	1200	800
100	Single	1369	1800	1600	800
	Parallel	1419	1800	1600	800
120	Single	1620	1800	1600	800
	Parallel	1680	1800	1600	800

## 3:1 384 VDC UPS

kVA Rating	Type	Weight (kg)	Height (mm)	Width (mm)	Depth (mm)
10	Single	367	1800	800	800



kVA Rating	Type	Weight (kg)	Height (mm)	Width (mm)	Depth (mm)
20	Parallel	380	1800	800	800
	Single	404	1800	800	800
30	Parallel	421	1800	800	800
	Single	435	1800	800	800
40	Parallel	455	1800	800	800
	Single	499	1800	800	800
60	Parallel	517	1800	800	800
	Single	613	1800	1200	800
80	Parallel	650	1800	1200	800
	Single	684	1800	1200	800
100	Parallel	729	1800	1200	800
	Single	905	1800	1600	800
120	Parallel	926	1800	1600	800
	Single	955	1800	1600	800
	Parallel	976	1800	1600	800

## 3:3 384 VDC UPS

kVA Rating	Type	Weight (kg)	Height (mm)	Width (mm)	Depth (mm)
10	Single	357	1800	800	800
	Parallel	423	1800	800	800
20	Single	428	1800	800	800
	Parallel	537	1800	800	800
30	Single	456	1800	800	800
	Parallel	566	1800	800	800
40	Single	489	1800	800	800
	Parallel	596	1800	800	800

<b>kVA Rating</b>	<b>Type</b>	<b>Weight (kg)</b>	<b>Height (mm)</b>	<b>Width (mm)</b>	<b>Depth (mm)</b>
60	Single	632	1800	800	800
	Parallel	705	1800	800	800
80	Single	692	1800	800	800
	Parallel	776	1800	800	800
100	Single	1049	1800	1200	800
	Parallel	1116	1800	1200	800
120	Single	1354	1800	1200	800
	Parallel	1414	1800	1200	800
160	Single	1491	1800	1600	800
	Parallel	1587	1800	1600	800
200	Single	1795	1800	1600	800
	Parallel	1897	1800	1600	800

# Weights and Dimensions with Packaging

## 3:1 220 VDC UPS with Input Transformer

kVA Rating	Type	Weight (kg)	Height (mm)	Width (mm)	Depth (mm)
10	Single	509	2025	930	930
	Parallel	528	2025	930	930
20	Single	551	2025	930	930
	Parallel	575	2025	930	930
30	Single	633	2025	930	930
	Parallel	655	2025	930	930
40	Single	725	2025	930	930
	Parallel	753	2025	930	930
60	Single	1120	2025	1330	930
	Parallel	1150	2025	1330	930
80	Single	1312	2025	1330	930
	Parallel	1388	2025	1330	930
100	Single	1455	2025	1730	930
	Parallel	1505	2025	1730	930
120	Single	1719	2025	1730	930
	Parallel	1750	2025	1730	930

## 3:1 384 VDC UPS

kVA Rating	Type	Weight (kg)	Height (mm)	Width (mm)	Depth (mm)
10	Single	419	2025	930	930

kVA Rating	Type	Weight (kg)	Height (mm)	Width (mm)	Depth (mm)
20	Parallel	436	2025	930	930
	Single	460	2025	930	930
30	Parallel	477	2025	930	930
	Single	491	2025	930	930
40	Parallel	511	2025	930	930
	Single	555	2025	1330	930
60	Parallel	573	2025	1330	930
	Single	669	2025	1330	930
80	Parallel	706	2025	1330	930
	Single	745	2025	1330	930
100	Parallel	785	2025	1330	930
	Single	976	2025	1730	930
120	Parallel	1026	2025	1730	930
	Single	997	2025	1730	930
	Parallel	1047	2025	1730	930

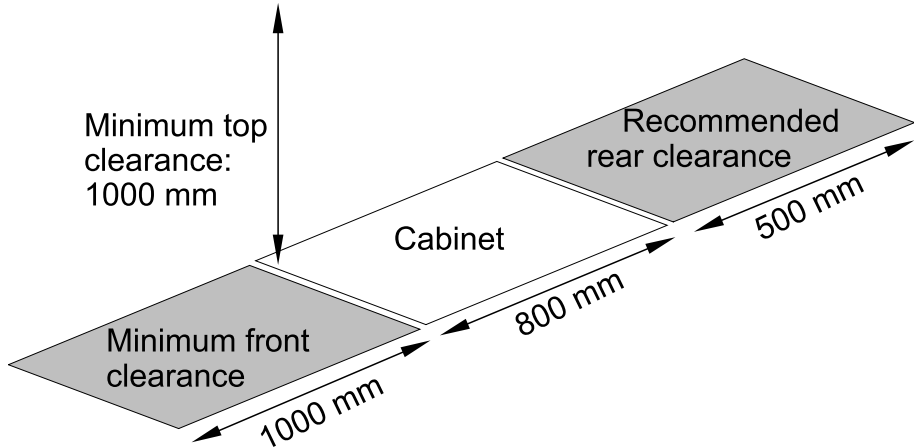
## 3:3 384 VDC UPS

kVA Rating	Type	Weight (kg)	Height (mm)	Width (mm)	Depth (mm)
10	Single	407	2025	930	930
	Parallel	473	2025	930	930
20	Single	478	2025	930	930
	Parallel	587	2025	930	930
30	Single	506	2025	930	930
	Parallel	616	2025	930	930
40	Single	539	2025	930	930
	Parallel	646	2025	930	930

<b>kVA Rating</b>	<b>Type</b>	<b>Weight (kg)</b>	<b>Height (mm)</b>	<b>Width (mm)</b>	<b>Depth (mm)</b>
60	Single	685	2025	930	930
	Parallel	735	2025	930	930
80	Single	745	2025	930	930
	Parallel	857	2025	930	930
100	Single	1139	2025	1330	930
	Parallel	1206	2025	1330	930
120	Single	1444	2025	1330	930
	Parallel	1504	2025	1330	930
160	Single	1577	2025	1730	930
	Parallel	1683	2025	1730	930
200	Single	1881	2025	1730	930
	Parallel	1983	2025	1730	930

# Clearance

**NOTE:** Clearance dimensions are published for airflow and service access only. Consult with the local safety codes and standards for additional requirements in your local area.



---

# Receiving

## External Inspection

When the shipment arrives, inspect the shipping material for any signs of damage or mishandling. Do not attempt to install the system if a damage is apparent. If any damage is noted, contact Schneider Electric and file a damage claim with the shipping agency within 24 hours.

Compare the components of the shipment with the bill of lading. Report any missing items to the carrier and to Schneider Electric immediately.

Verify that labelled units match the order confirmation.

# Unpacking the UPS

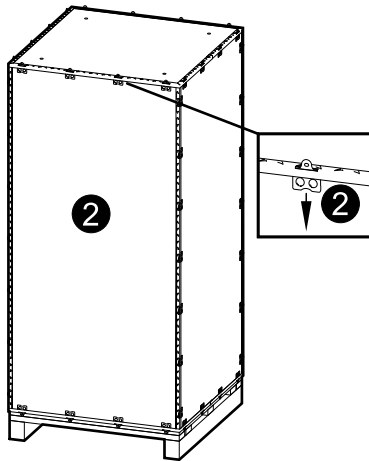
## ***NOTICE***

### **HAZARD OF EQUIPMENT DAMAGE**

- Do not tip the cabinet more than 10° as it will cause damage to the cabinet.

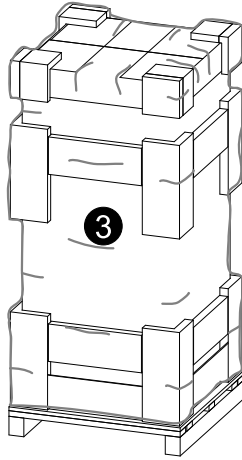
**Failure to follow these instructions can result in equipment damage.**

1. Use a pallet jack or a forklift to transport the UPS to the installation location.
2. Remove the clips on the paper casing and remove the paper casing.

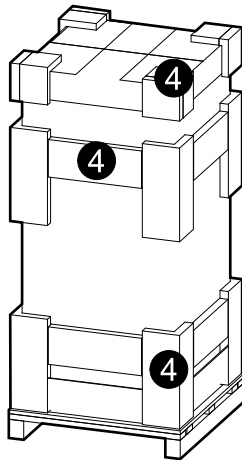




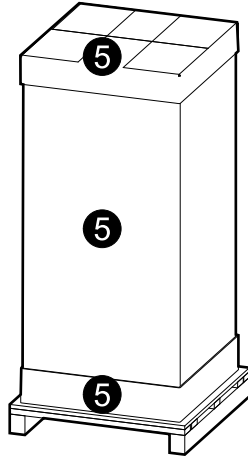
3. Remove the cellophane wrap bag.



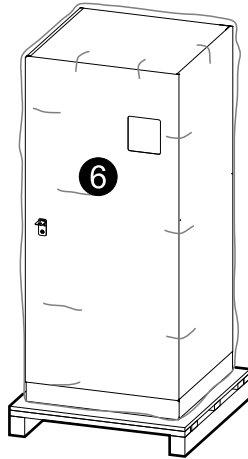
4. Remove the foam protectors.



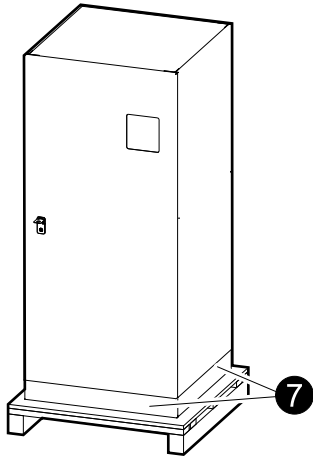
5. Remove the carton casing.



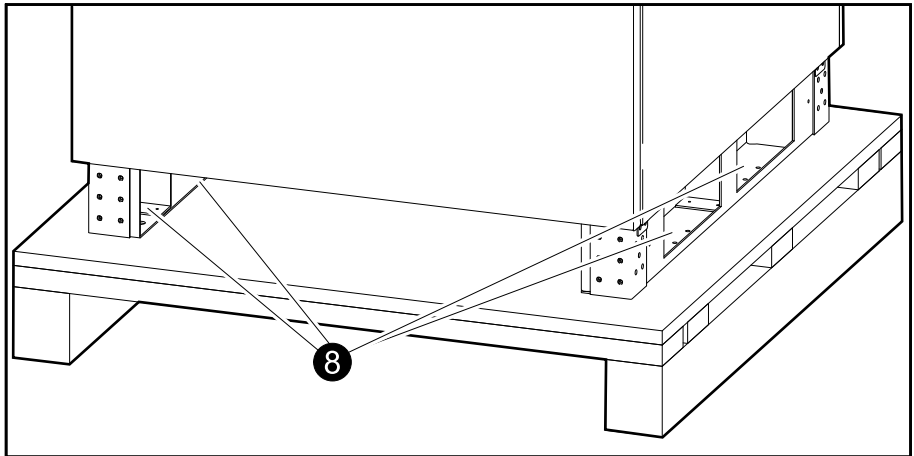
6. Remove the plastic bag.



7. Remove the front, back and side kicker plates.

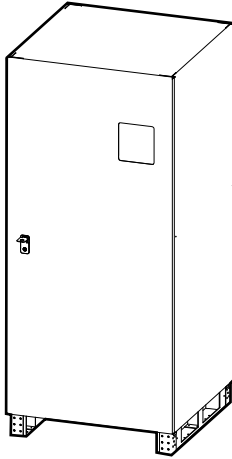


8. Remove the screws connecting the UPS to the wooden pallet.

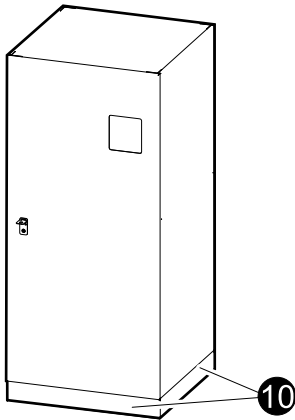


**NOTE:** The parallel kit (if ordered) containing parallel cables is placed between the UPS and the wooden pallet – remove the parallel kit and save for installation.

9. Use an electric forklift to move the UPS from the pallet onto the final installation location.



10. Reinstall the front, back and side kicker plates.









Schneider Electric IT (China) Co. Ltd  
A2, No. 25 factory, New Development District,  
No. 30 Futedong third Road  
Waigaoqiao Free Trade Zone, Shanghai  
PRC

[www.schneider-electric.com](http://www.schneider-electric.com)

As standards, specifications, and design change from time to time, please ask for confirmation of the information given in this publication.

© 2013 – 2015 Schneider Electric. All rights reserved.

990–4906B–001