

<p>MIN MAX 0 ... +50°C</p> <p>IP 40</p>	<p>DS 2.951A</p>	
--	------------------	--

<p>ENGLISH - DO NOT APPLY ANY VOLTAGES UNTIL A QUALIFIED TECHNICIAN HAS CHECKED THE SYSTEM. FRANÇAIS - NE PAS METTRE SOUS TENSION AVANT QU'UN TECHNICIEN QUALIFIÉ N'AIT VÉRIFIÉ LE SYSTÈME. DEUTSCH - KEINE SPANNUNG ANLEGEN, BEVOR EIN FACHKUNDIGER TECHNIKER DAS SYSTEM GEPRÜFT HAT. NEDERLANDS - ZET NOOIT SPANNING OP APPARATUUR VOORDAT EEN BEVOEGDE TECHNISCUS HET SYSTEEM HEEFT GECONTROLEERD. ESPAÑOL - NO APLIQUE VOLTAJE HASTA QUE UN TÉCNICO CAPACITADO HAYA COMPROBADO EL SISTEMA.</p>	<p>ITALIANO - NON DARE TENSIONE PRIMA CHE IL SISTEMA NON SIA STATO CONTROLLATO DA UN TECNICO SPECIALIZZATO. DANSK - DER MÅ IKKE TILFØRES SPÆNDING, FØR SYSTEMET ER KONTROLLERET AF EN AUTORISERET TEKNIKER. SVENSKA - SLÅ INTE TILL SPÄNNINGEN FÖRRÄN EN BEHÖRIG TEKNIKER HAR KONTROLLERAT SYSTEMET. NORSK - SPENNINGER MÅ IKKE PÅTRYKES FØR EN KVALIFISERT TEKNIKER HAR KONTROLLERT SYSTEMET. SUOMI - ÄLÄ KYTKÄ VIRTAA ENNEN KUIN AMMATTITAITOINEN TEKNIKKO ON TARKISTANUT JÄRJESTELMÄN.</p>	<p>PORTUGUÊSE - ENÃO LIGUE O SISTEMA ATÉ QUE UM TÉCNICO QUALIFICADO O TENHA INSPECCIONADO. POLSKIE TŁUMACZENIE - NIE ZAŁĄCZAJ ZASILANIA DOPÓKI SYSTEM NIE ZOSTANIE SPRAWDZONY PRZEZ UPRAWNIONEGO TECHNIKA. ΕΛΛΗΝΙΚΑ - ΜΗΝ ΕΦΑΡΜΟΖΕΤΑΙ ΤΑΣΗ ΕΩΣ ΟΤΟΥ ΤΟ ΣΥΣΤΗΜΑ ΕΛΕΓΧΘΕΙ ΑΠΟ ΕΙΔΙΚΕΥΜΕΝΟ ΤΕΧΝΙΚΟ.</p>
--	---	--

A

565-4-402

A1

A2

B

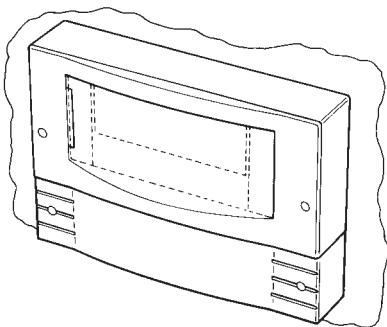
565-2-602

B1

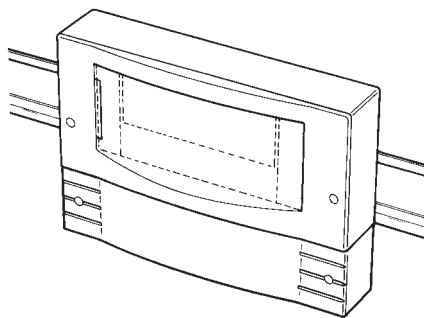
B2

B3

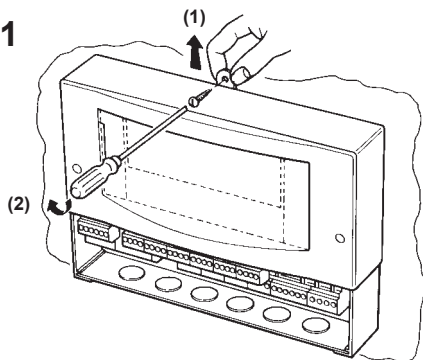
C



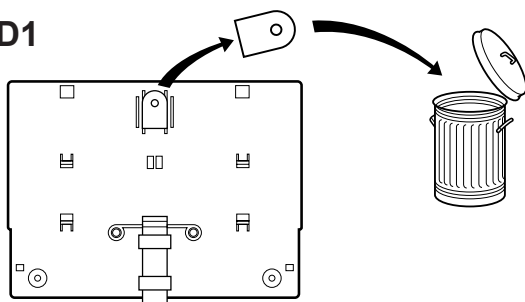
D



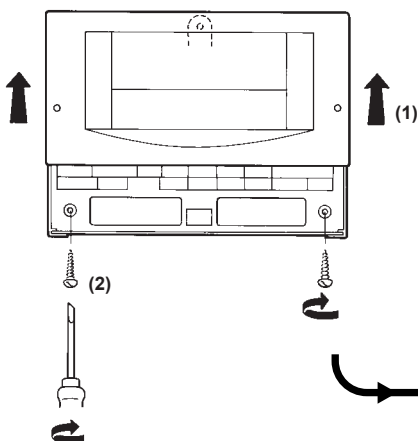
C1



D1



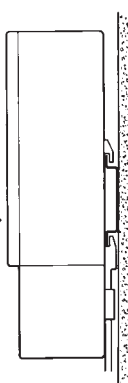
C2



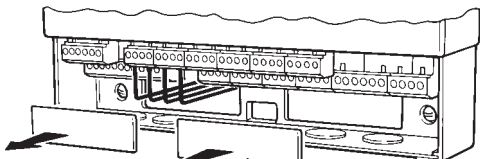
D2a



D2b

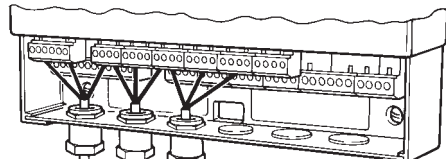


3



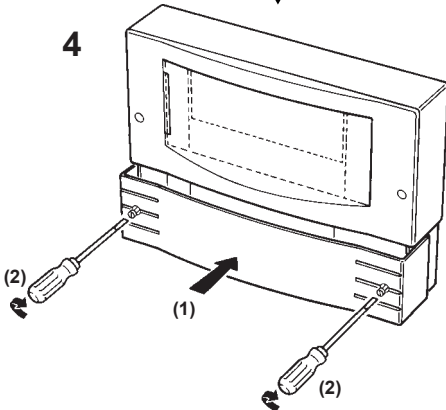
20mm x 66mm

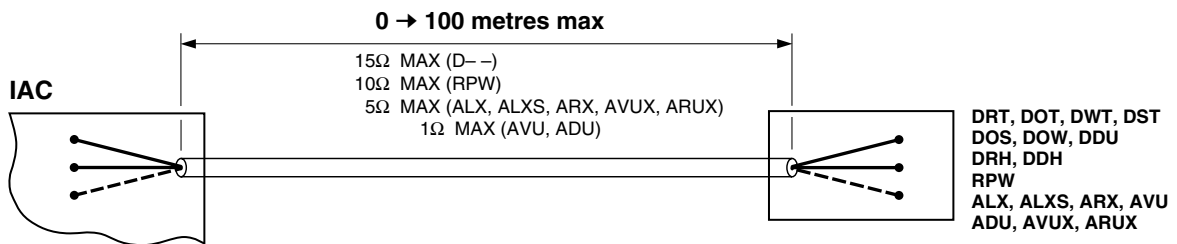
3



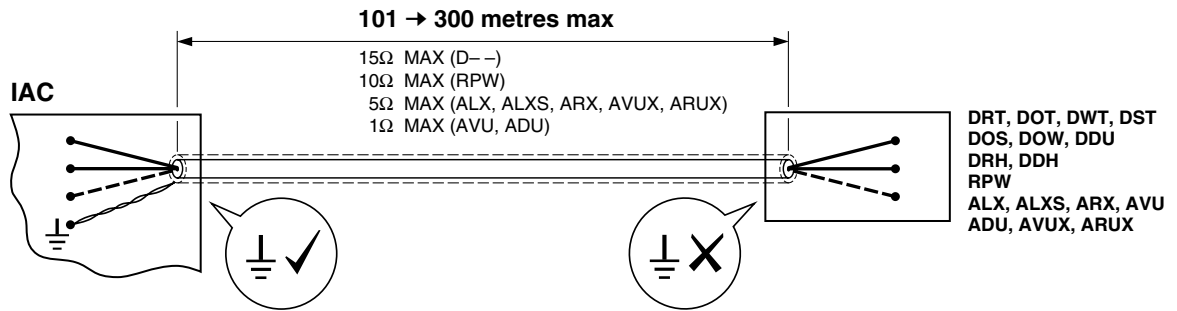
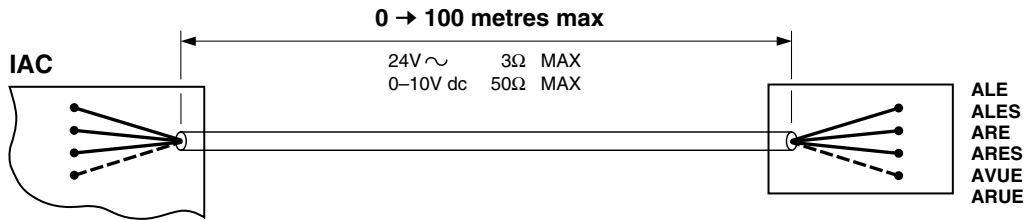
21mm Ø x 6

4

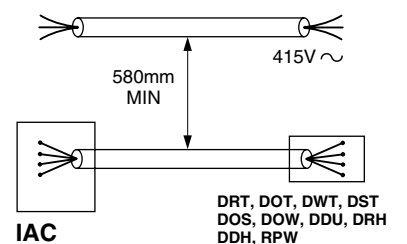
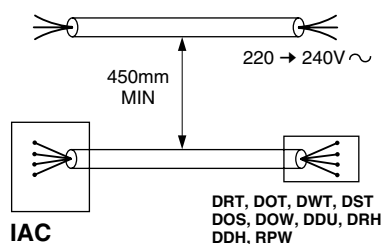
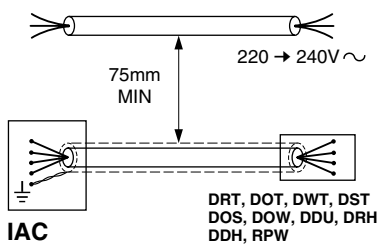
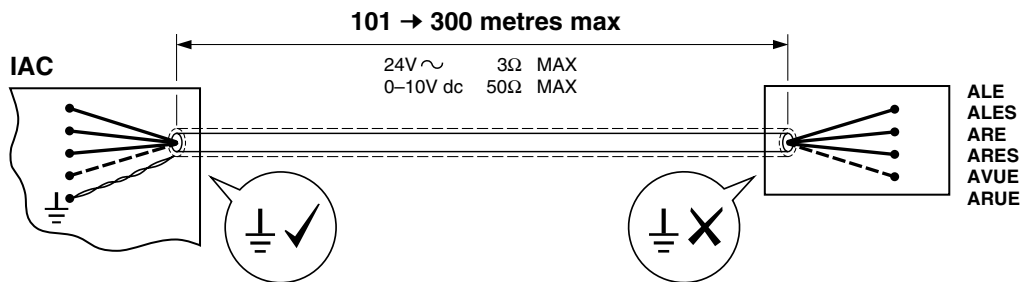


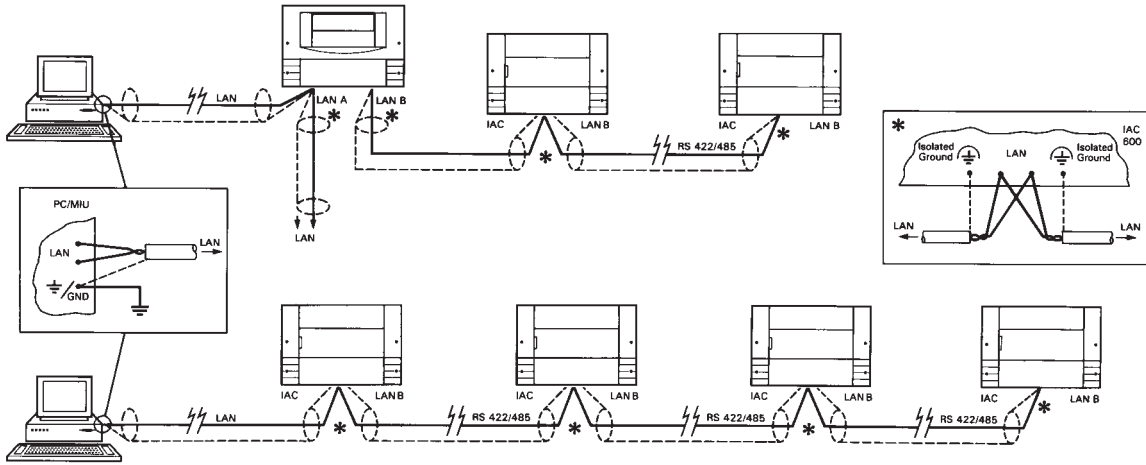


ALE, ALES, ARE, ARES, ARUE, AVUE

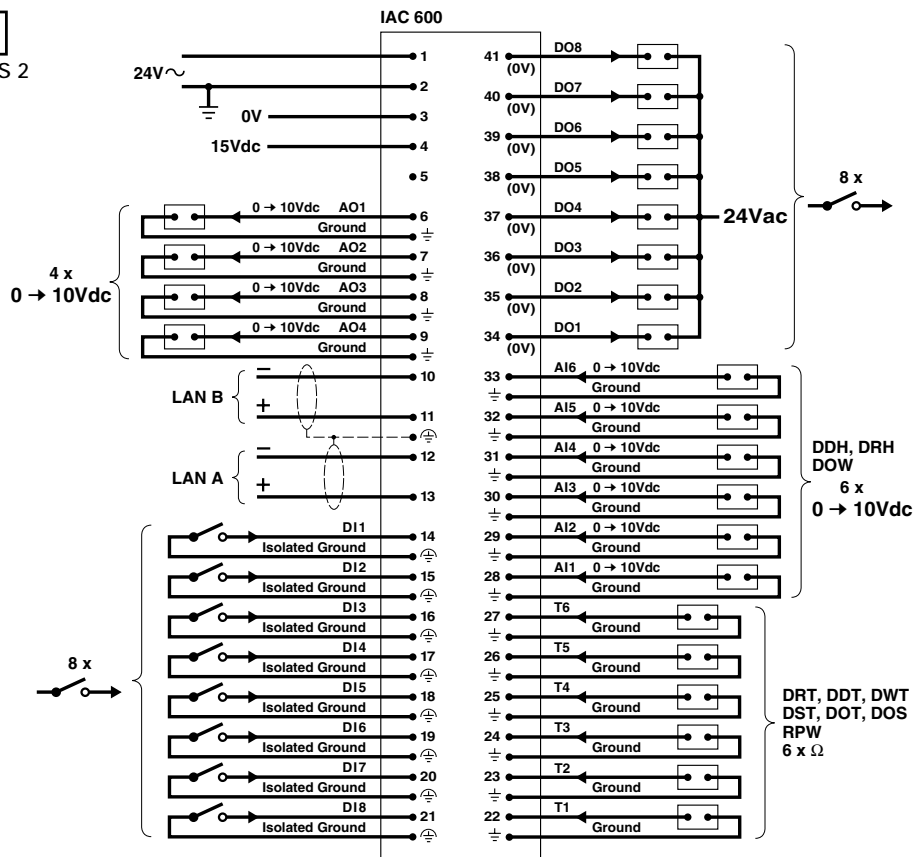


ALE, ALES, ARE, ARES, ARUE, AVUE





CLASS 2



On October 1st, 2009, TAC became the Buildings business of its parent company Schneider Electric. This document reflects the visual identity of Schneider Electric, however there remains references to TAC as a corporate brand in the body copy. As each document is updated, the body copy will be changed to reflect appropriate corporate brand changes.

Copyright 2010 Schneider Electric All Rights Reserved. All brand names, trademarks and registered trademarks are the property of their respective owners. Information contained within this document is subject to change without notice. All rights reserved.

Schneider Electric
Malmö, Sweden
+46 40 38 68 50

www.schneider-electric.com/buildings

Schneider
Electric