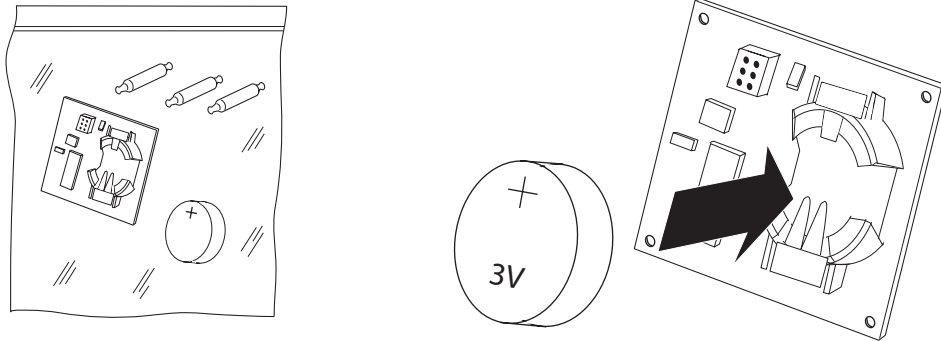
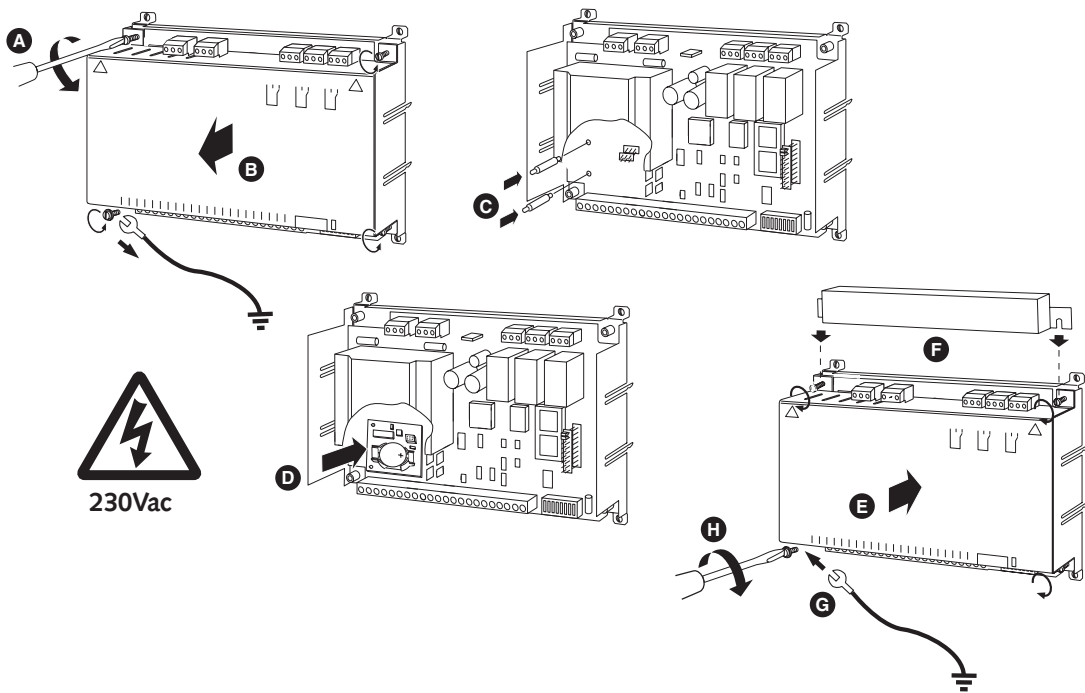


MN50-RTC ⇒ MN350, 450, 550, 650

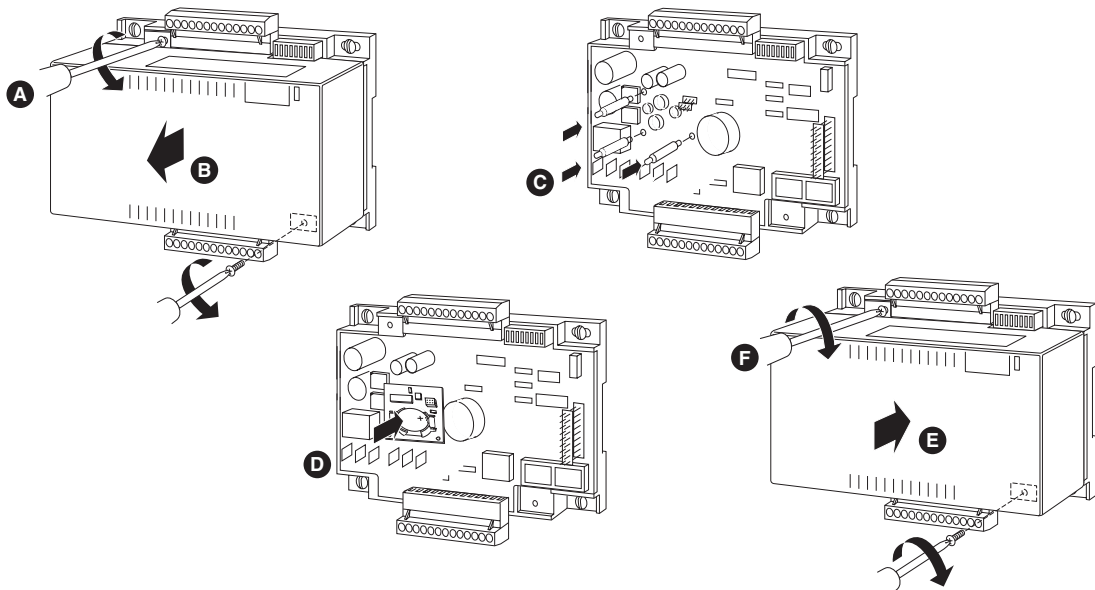


MN50-RTC

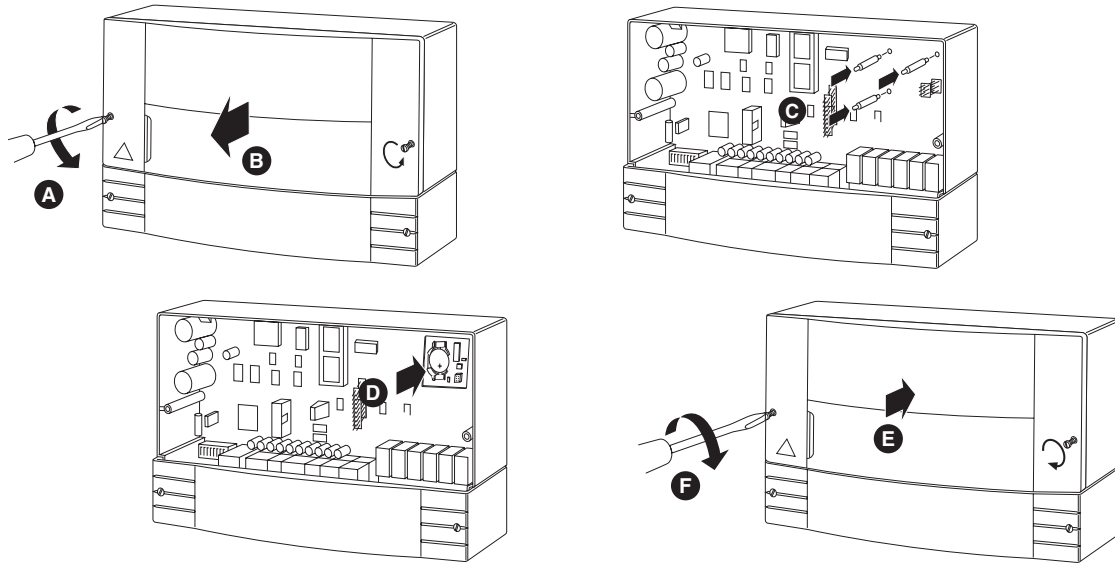
MN350



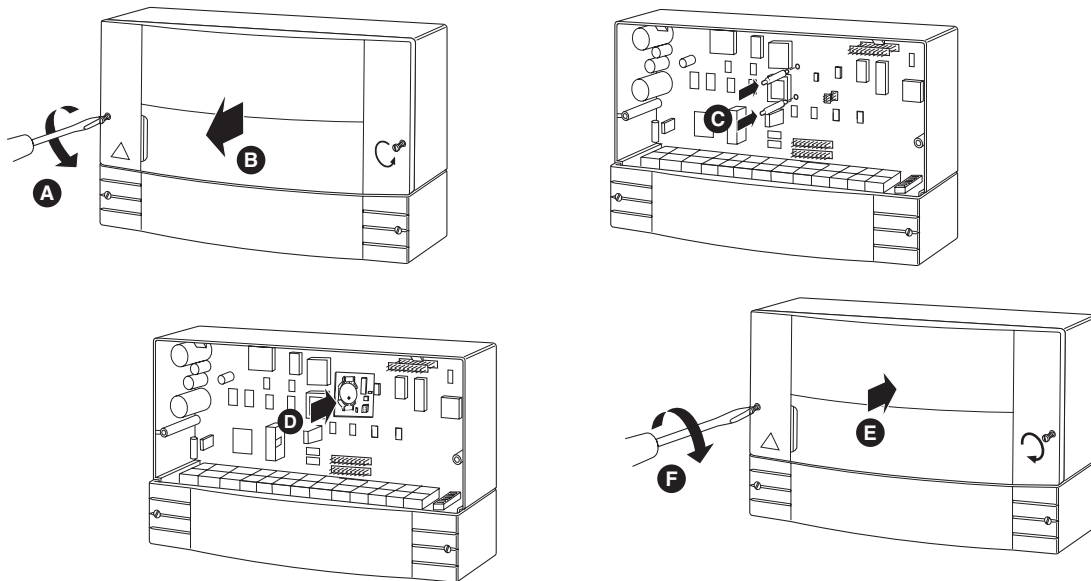
MN450



MN550



MN650



On October 1st, 2009, TAC became the Buildings business of its parent company Schneider Electric. This document reflects the visual identity of Schneider Electric, however there remains references to TAC as a corporate brand in the body copy. As each document is updated, the body copy will be changed to reflect appropriate corporate brand changes.


Copyright 2010 Schneider Electric All Rights Reserved.
All brand names, trademarks and registered trademarks
are the property of their respective owners. Information
contained within this document is subject to change
without notice. All rights reserved.

Schneider Electric
Malmö, Sweden
+46 40 38 68 50

MLI10305-0610

June 2010 dl

www.schneider-electric.com/buildings

Schneider
 **Electric**