

NetShelter CX Fan Booster Kit AR4703 Installation Instructions

Safety

⚠ ⚠ DANGER

HAZARD OF ELECTRIC SHOCK, EXPLOSION, OR ARC FLASH

- Apply appropriate personal protective equipment (PPE) and follow safe electrical work practices. See NFPA 70E or CSA Z462.
- This equipment must only be installed and serviced by qualified electrical personnel.
- Turn off all power supplying this equipment before working on the equipment.
- Perform appropriate lockout/tagout procedures.

Failure to follow these instructions will result in death or serious injury.

⚠ WARNING

HEAVY EQUIPMENT HAZARD

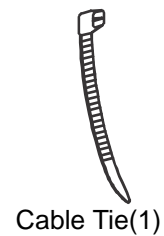
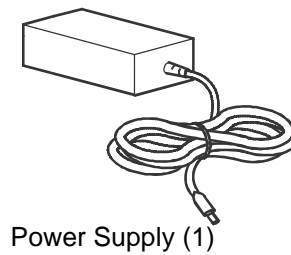
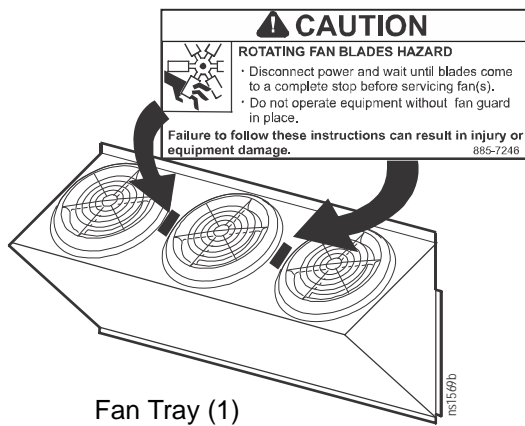
Fan modules are heavy. Two people are recommended when removing modules from the enclosures.

Failure to follow these instructions can result in serious injury or equipment damage.

NOTICE

Always use the supplied 24V power supply with the Fan Booster Kit fan tray only. **DO NOT** use the 24V supplied power supply with the original installed NetShelter CX fan tray.

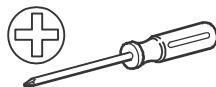
Inventory



Tools required (not provided)



Wire Cutting



Phillips Head Screwdriver

Remove the power supply

⚠ ⚠ DANGER

HAZARD OF ELECTRIC SHOCK, EXPLOSION, OR ARC FLASH

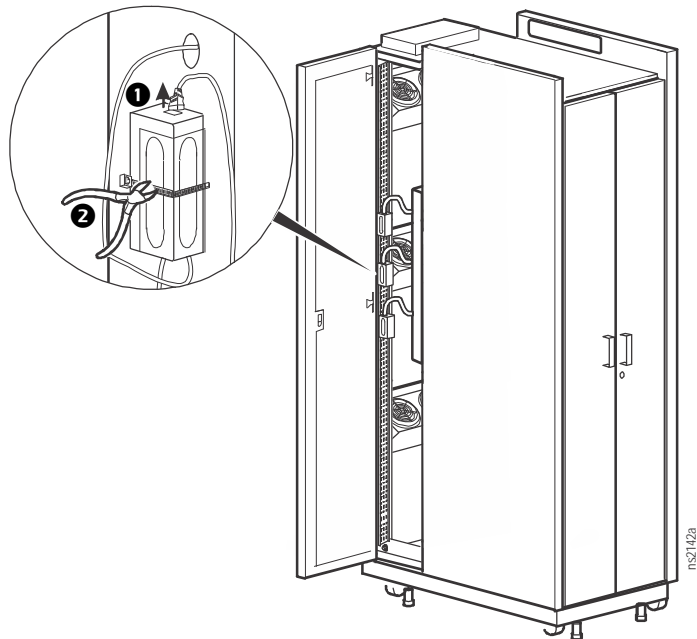
- Apply appropriate personal protective equipment (PPE) and follow safe electrical work practices. See NFPA 70E or CSA Z462.
- This equipment must only be installed and serviced by qualified electrical personnel.
- Turn off all power supplying this equipment before working on the equipment.
- Perform appropriate lockout/tagout procedures.

Failure to follow these instructions will result in death or serious injury.

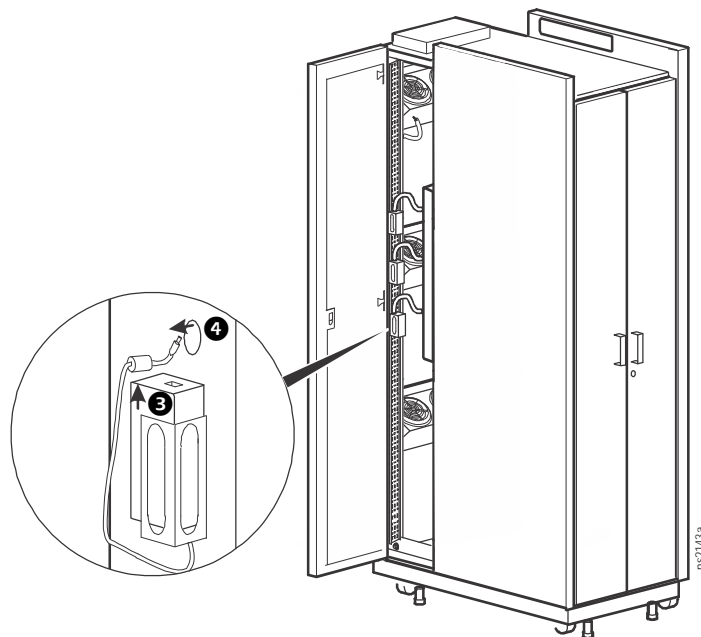
Open the left hand side door to access the power supply.

Note: Check that the power is off. The fan blades are not turning and the LED on the power supply is not lit.

- 1 Disconnect the power cord from the top of the power supply.
- 2 Cut and remove the cable tie securing the power supply to the bracket.

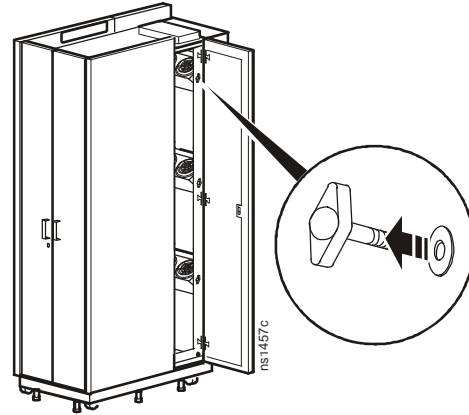


- 3 Lift the power supply out of its bracket.
- 4 Pull the fan module end of the power supply lead from the access hole.



Unlock the fan modules

Open the right hand side panel.
Unscrew the thumbscrews on the right side of the fan modules to unlock all of the fan modules so they can be opened.



Open the fan modules

To open all the fan modules, start at the bottom.

Detach the clip.

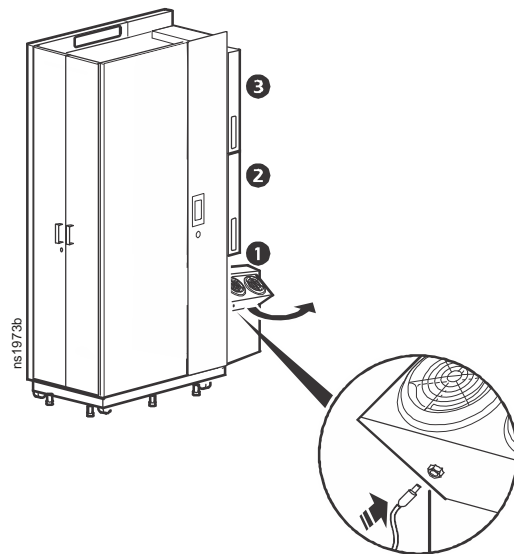
Swing the fan module out on its hinges.

Disconnect the fan module power supply lead from the fan module.

Open the bottom module ①

Open the center module ②

Open the top module ③



Remove the fan modules

⚠ WARNING

HEAVY EQUIPMENT HAZARD

Fan modules are heavy. Two people are recommended when removing modules from the enclosures.

Failure to follow these instructions can result in serious injury, or equipment damage.

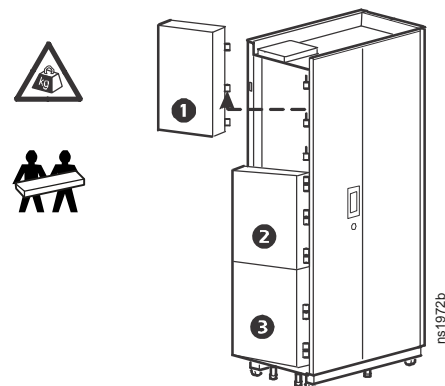
Start at the top when removing the fan modules.

Lift the fan module from the hinges attached to the NetShelter CX enclosure.

Remove the top fan module ①

Remove the center module ②

Remove the bottom module ③

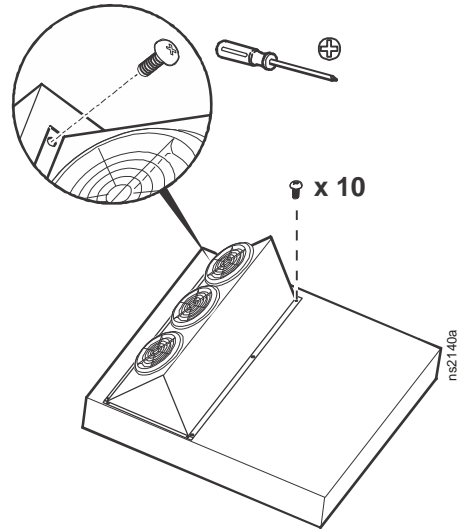


Remove the old fan tray

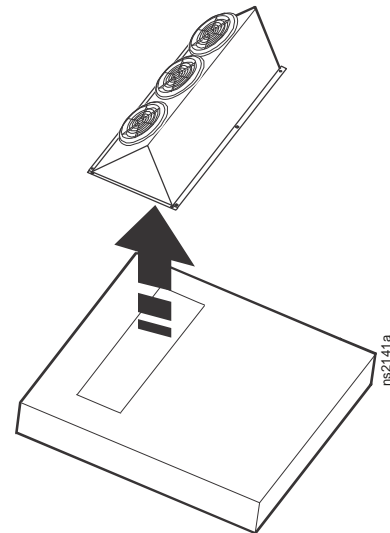
Place the fan module on a flat surface to remove the fan tray.

Remove the ten Phillips head screws securing the fan tray.

Note: Save the screws to install the new fan tray.



Remove the fan tray from the module assembly.



Install the new fan tray

Reverse the procedure to install the fan tray

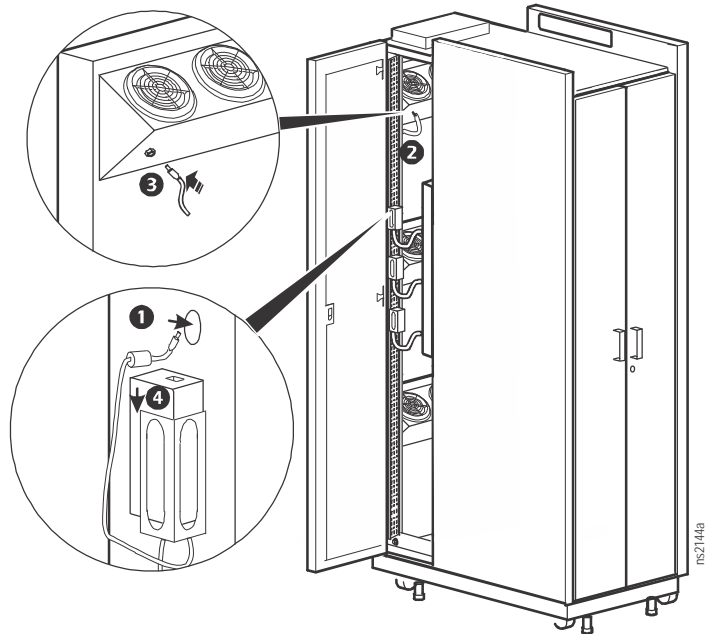
Note: Use the screws saved when the old fan tray was removed.

Install the fan module

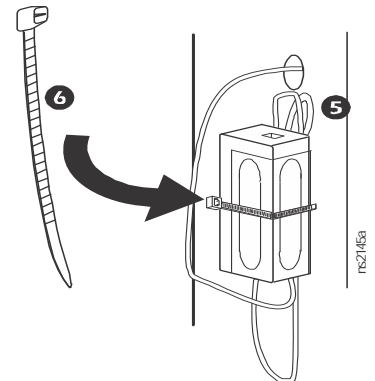
Reverse the removal procedure to install the fan module to your NetShelter CX enclosure.

Install the new power supply

- 1 Insert the power supply lead through the access hole.
- 2 Pull enough of the lead through the hole to reach the fan module.
- 3 Plug the lead into the fan module.
- 4 Slide the new power supply into the bracket.



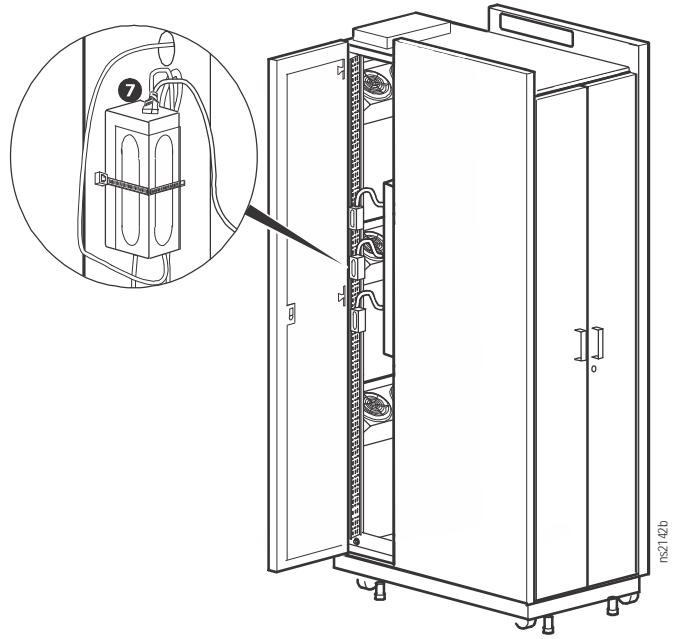
- 5 Coil excess cable behind the power supply bracket.
- 6 Install a new cable tie to secure the power supply in the bracket.



- 7 Plug the power cord into the top of the power supply.

Close the door to the enclosure.

Return power to the enclosure.



Customer support and warranty information is available at the web site, www.apc.com.

© 2014 Schneider Electric, APC, the APC logo, and NetShelter are owned by Schneider Electric Industries S.A.S., or its affiliated companies.

990-5296A
1/2014