

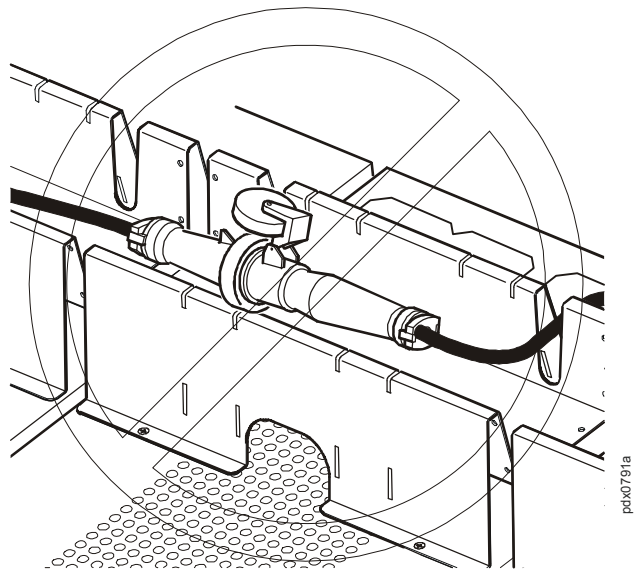
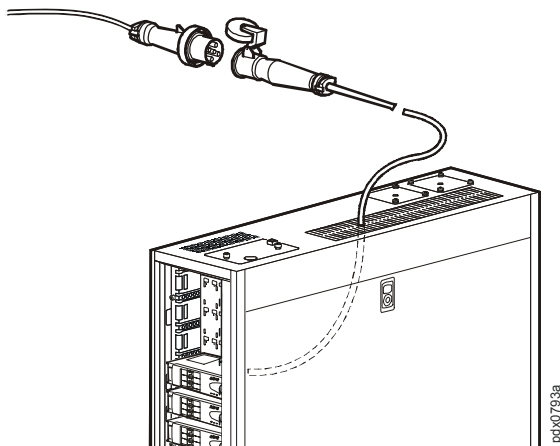
## IEC309 to 3 x C-19 Connector Cable Installation

PDX516IEC309-3C19

PDX520IEC309L-3C19



**Note:** The National Electrical Code (NFPA 70) and the Canadian Electrical Code (CSA C22.1) prohibit the installation of the cable in Cable Trays. Connected cables are permitted to rest on top of the racks as long as they are not in the Cable Trays. Installation should comply with local standards and regulatory compliance.



Customer support and warranty information is available at the APC Web site, [www.apc.com](http://www.apc.com).  
© 2009 American Power Conversion. All rights reserved. All APC trademarks are property of American Power Conversion. Other trademarks are property of their respective owners.

990-3574A-001  
04/2009

