

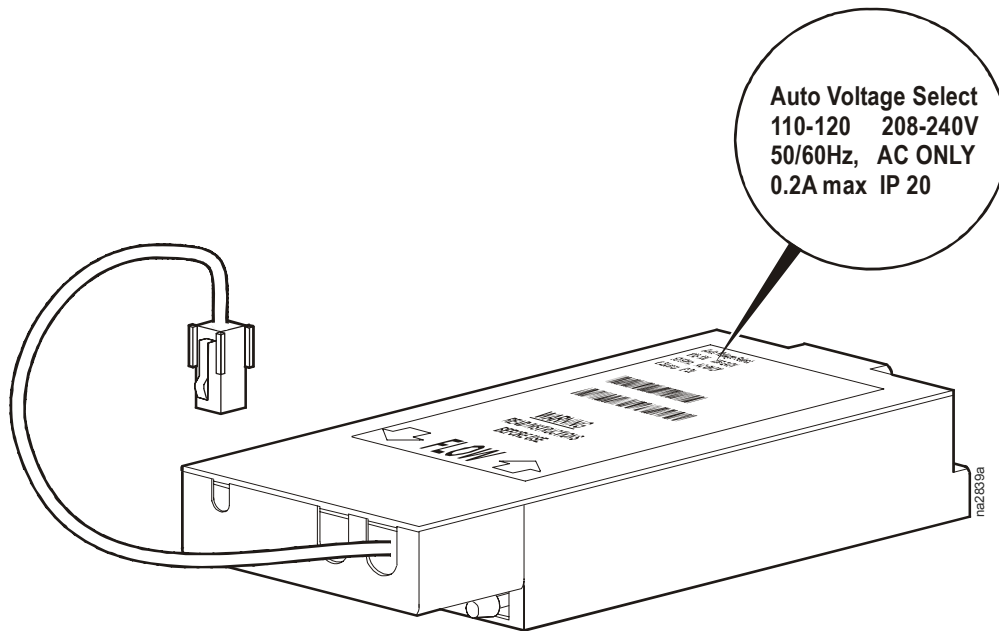
Automatic Voltage Select Condensate Pump (W0N-7166)

Applicable SKUS

The automatic voltage select condensate pump replaces three condensate pumps in the following SKUs:

SKU	Current Condensate Pump APC Part Number
ACRC100	0M-61038A
ACRC101	0M-61044
ACRC102	
ACRC103	
ACSC100	
ACSC101	0N-0288A
ACPA4000	

Condensate pump

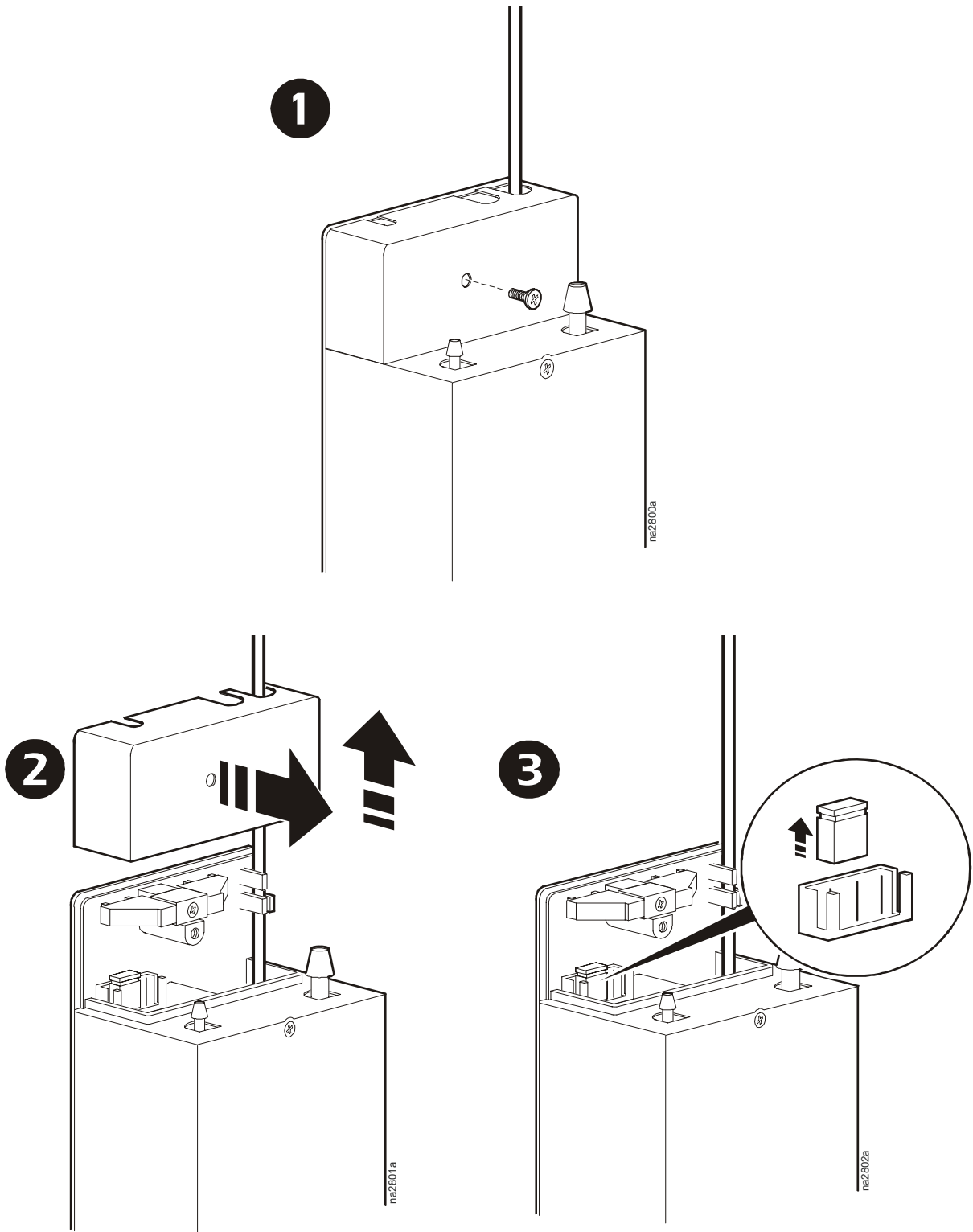


The automatic voltage select condensate pump is rated for 120/240 volts, 50/60 Hz input power, and replaces 120-volt and 220-volt condensate pumps used in InRow[®] SC cooling units, InRow RC cooling units, and the NetworkAIR[®] ACPA4000. Voltage information is listed on the label on the front of the condensate pump.

Jumper removal



Note: For installation in a NetworkAIR ACPA4000 with a water sensor wiring harness, remove the jumper of the automatic voltage select condensate pump, then connect the water sensor wiring harness to the condensate pump.





This manual is available in English on the APC Web site (www.apc.com).

Dieses Handbuch ist in Deutsch auf der APC Webseite (www.apc.com) verfügbar.

Deze handleiding is beschikbaar in het Nederlands op de APC Website (www.apc.com).

Este manual está disponible en español en la página web de APC (www.apc.com).

Ce manuel est disponible en français sur le site internet d'APC (www.apc.com).

Questo manuale è disponibile in italiano sul sito web di APC (www.apc.com).

本マニュアル<各国の言語に対応する>は APC ウェブサイト (www.apc.com) からダウンロードできます。

Instrukcja obsługi w języku polskim jest dostępna na stronie internetowej APC (www.apc.com).

Este manual está disponível em português no site da APC (www.apc.com).

Данное руководство на русском языке доступно на сайте APC (www.apc.com)

在 APC 公司的网站上 (www.apc.com) 有本手册的中文版。

您可以從 APC 網址 (www.apc.com) 上瀏覽下載本手册的中文版本。

APC 웹사이트 (www.apc.com) 에 한국어 매뉴얼 있습니다 .

APC Worldwide Customer Support

Customer support for this or any other APC product is available at no charge in any of the following ways:

- Visit the APC Web site to access documents in the APC Knowledge Base and to submit customer support requests.
 - **www.apc.com** (Corporate Headquarters)
Connect to localized APC Web sites for specific countries, each of which provides customer support information.
 - **www.apc.com/support/**
Global support searching APC Knowledge Base and using e-support.
- Contact an APC Customer Support center by telephone or e-mail.
 - Regional centers

Direct InfraStruXure Customer Support Line	(1)(877)537-0607 (toll free)
APC headquarters U.S., Canada	(1)(800)800-4272 (toll free)
Latin America	(1)(401)789-5735 (USA)
Europe, Middle East, Africa	(353)(91)702000 (Ireland)
Western Europe (including Scandinavia)	+800 0272 0272
Japan	(0) 36402-2001
Australia	1(800) 652 725 (toll free)
New Zealand	0 (800) 333 373 (toll free)

- Local, country-specific centers: go to **www.apc.com/support/contact** for contact information.

Contact the APC representative or other distributor from whom you purchased your APC product for information on how to obtain local customer support.

Entire contents copyright 2008 American Power Conversion Corporation. All rights reserved. Reproduction in whole or in part without permission is prohibited. APC, the APC logo, InRow, and NetworkAIR are trademarks of American Power Conversion Corporation. All other trademarks, product names, and corporate names are the property of their respective owners and are used for informational purposes only.

