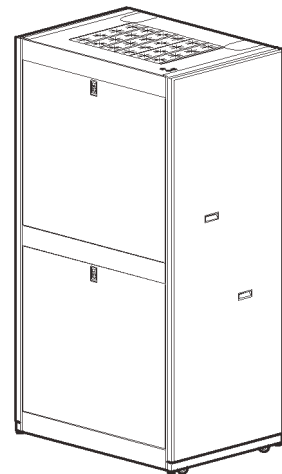




Cooling Distribution Unit (CDU)

Guide for Receiving, Unpacking, and Moving



Important. Save these instructions. This guide contains information for receiving, unpacking, and moving the equipment.



Recyclable materials. The shipping materials are recyclable. Save them for later use, or dispose of them appropriately.

Safety Information

⚠ CAUTION
DAMAGE TO EQUIPMENT OR PERSONNEL
The equipment is heavy and can easily be tipped. For safety purposes, adequate personnel must be present when moving this equipment.
Failure to follow these instructions can result in injury or equipment damage.

Moving the equipment

Pallet Jack Forklift

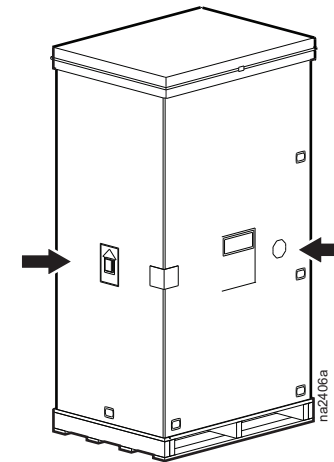


Receiving

Inspect the exterior packaging

Before unpacking the equipment, verify that the labeled boxes match the bill of lading.

Locate the shock indicator and tilt indicator on the exterior of the container. Instructions for reading indicators are printed near each indicator. Note on the bill of lading any evidence that an indicator has been activated.

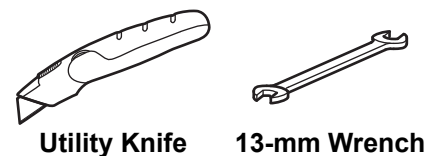


Inspect the equipment

Once you have unpacked the equipment, carefully inspect its exterior.

NOTE: In case of shipping damage such as scratches or dents, see Worldwide Customer Support for contact information.

Tools Required



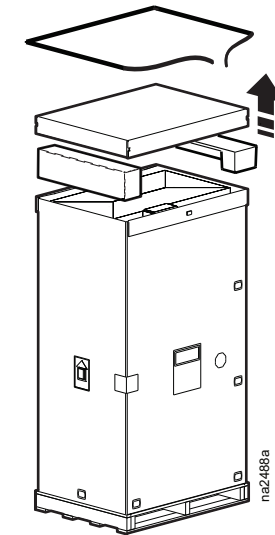
Utility Knife 13-mm Wrench

Unpacking

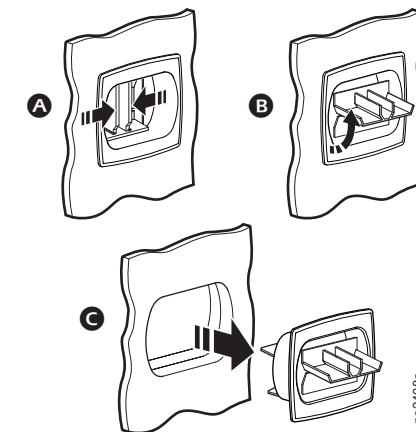
NOTICE
HAZARD TO EQUIPMENT
Leaving the equipment uncovered and exposed to possible damage from the environment will void the factory warranty.
Failure to follow these instructions can result in equipment damage.

NOTE: When possible, leave the equipment on the pallet until you are ready to move it to its final location.

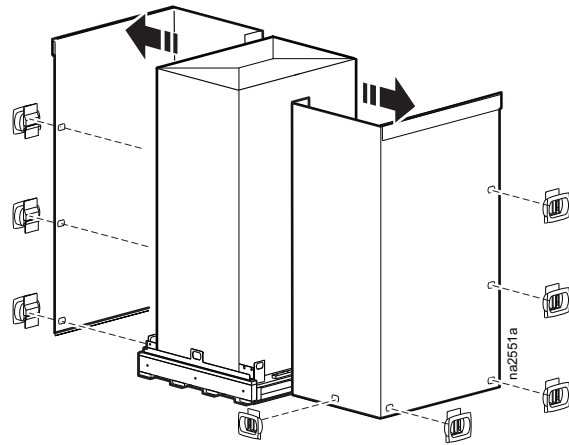
1



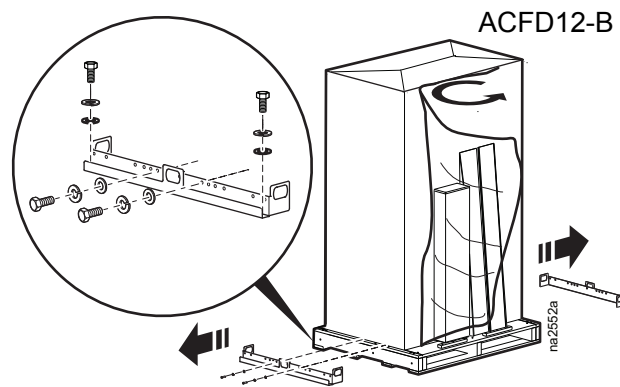
2



3

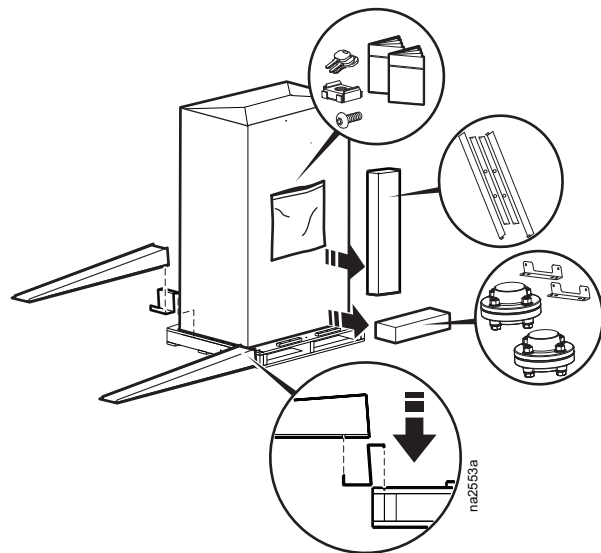


4

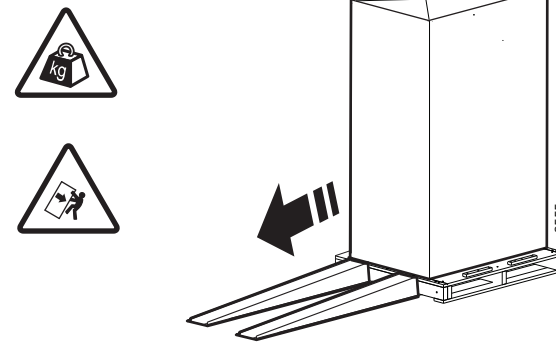


NOTE: If the unit is to be secured to the floor, save the bolts, washers and brackets.

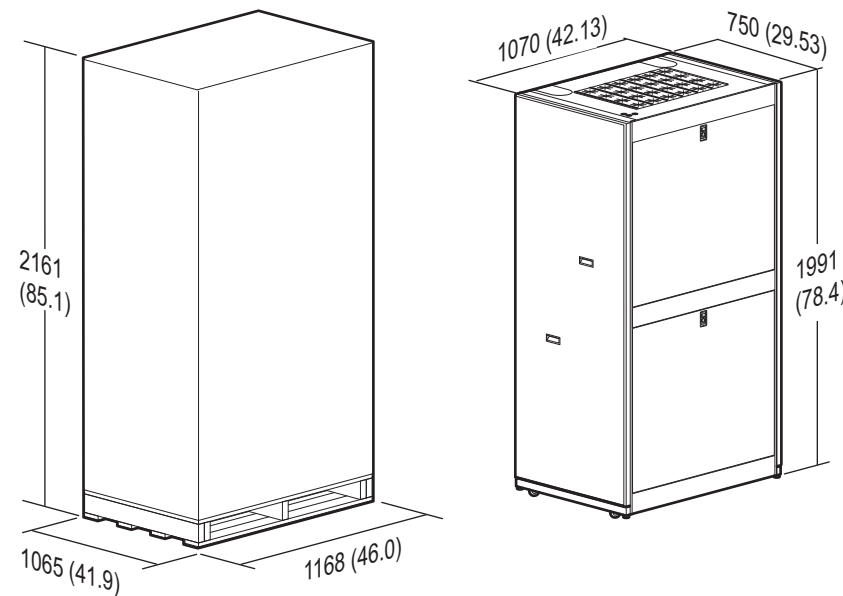
5



6



Weights and Dimensions



* Dimensions are shown in millimeters, with inches in parentheses.

SKU	Packaged Weight	Unpackaged Weight
ACFD12-B	328.6 kg (723 lb)	269.5 kg (593 lb)
ACFD12-T	328.6 kg (723 lb)	269.5 kg (593 lb)

Worldwide Customer Support

Customer support for this or any other product is available at no charge in any of the following ways:

- Visit the Schneider Electric Web site to access documents in the Schneider Electric Knowledge Base and to submit customer support requests.
 - www.schneider-electric.com (Corporate Headquarters) Connect to localized Schneider Electric Web sites for specific countries, each of which provides customer support information.
 - www.schneider-electric.com/support/ Global support searching Schneider Electric Knowledge Base and using e-support.
- Contact the Schneider Electric Customer Support Center by telephone or e-mail.
 - Local, country-specific centers: go to www.schneider-electric.com > **Support** > **Operations around the world** for contact information.

For information on how to obtain local customer support, contact the representative or other distributors from whom you purchased your product.