

InfraStruXure[®] Cooling Distribution Unit: Removing the Dielectric Flange Kits



Note: This is an addendum to your InfraStruXure Cooling Distribution Unit (CDU) Installation Manual.



Caution: Attempting to remove the kits and support board simultaneously may result in damage to the drain pan beneath the support board.



Warning: Avoid injury by using proper lifting techniques.

Removal steps

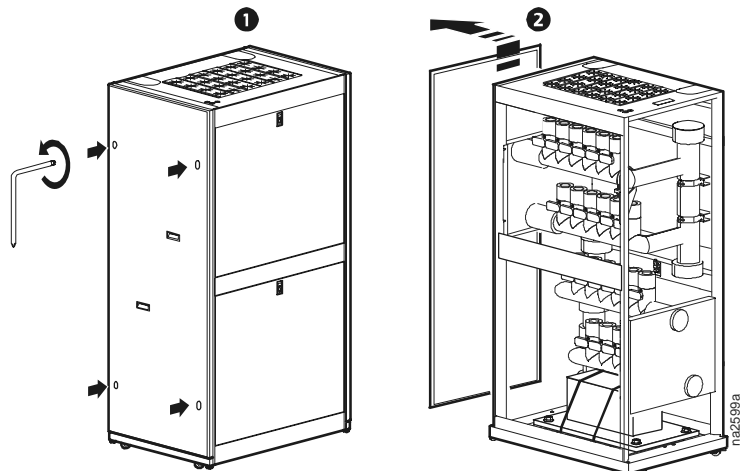
Remove the panel on your left as you face the front of the CDU.

1 Loosen the four screws that secure the side panel to the CDU frame.

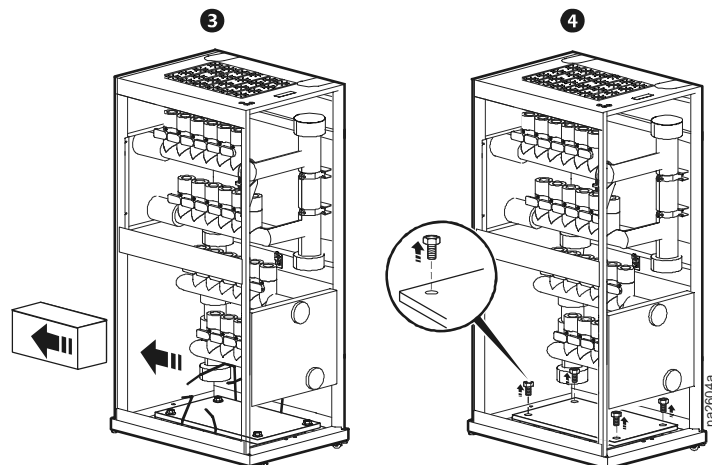
2 Lift the panel up and away from the CDU. Set the panel aside.

3 Cut the straps securing the box to the support board. Remove the box.

4 Remove the four 13-mm bolts and washers securing the board to the bottom of the CDU.

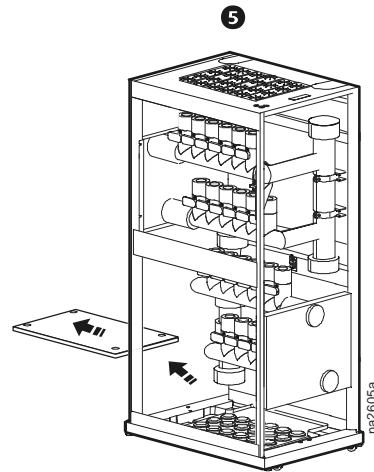


* Opposite side panel and front doors removed for clarity.



* Opposite side panel and front doors removed for clarity.

- 5 Remove the support board.

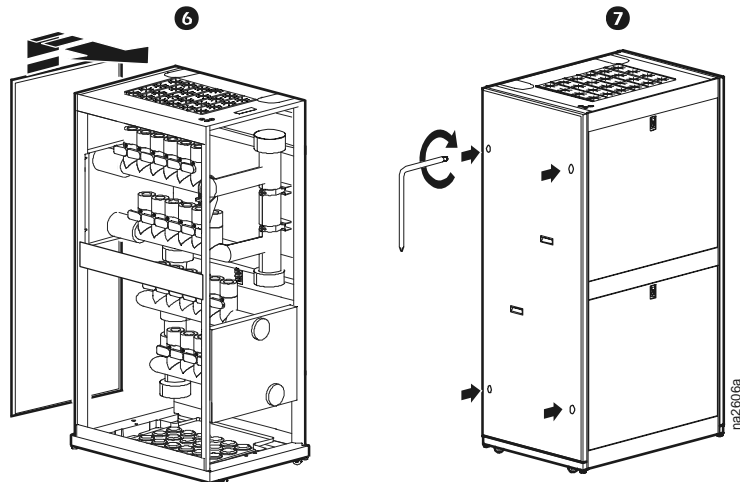


* Opposite side panel and front doors removed for clarity.

If no further installation procedures will be done at this time:

- 6 Replace the side panel.

- 7 Tighten the screws in the panel to secure the panel to the CDU frame.



* Opposite side panel and front doors removed for clarity.



Customer support and warranty information is available at the APC Web site, www.apc.com.
© 2007 American Power Conversion. All rights reserved. All APC trademarks are property of American Power Conversion. Other trademarks are property of their respective owners.

990-3172-001
05/2007

