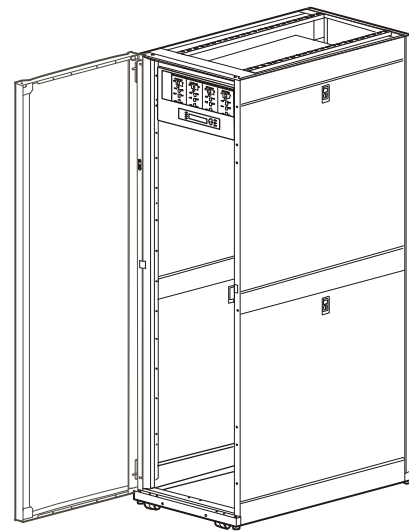




Receiving and Unpacking

Modular Power Distribution Unit (PDU) in an SX Rack (PDPM138H-R)



SAVE THESE INSTRUCTIONS

Safety

⚠ WARNING

TIPPING/HEAVY EQUIPMENT HAZARD

- The unit is easily tipped. Use extreme caution when unpacking and moving the equipment.
- A minimum of two people are required to unpack and move the equipment.
- Ensure that the floor and sub-floor can support the total weight of the system, especially when the weight is concentrated on the stabilizing feet.

Failure to follow these instructions can result in death or serious injury.

Worldwide Customer Support

Customer support is available at www.schneider-electric.com.

© 2016 Schneider Electric. All rights reserved

Receiving

External inspection

When the shipment arrives, inspect the shipping material for any signs of damage or mishandling. Do not attempt to install the Modular PDU if damage is apparent. If any damage is noted, file a damage claim with the shipping agency within 24 hours and contact Schneider Electric.

Compare the components of the shipment with the bill of lading. Report any missing items to the carrier and to Schneider Electric immediately.



Recyclable materials: The shipping materials are recyclable. Save them for later use, or dispose of them appropriately.

Weights and Dimensions

Physical Dimensions	
Dimensions (HxWxD)	2070 x 610 x 1072 mm / 81.5 x 24 x 42.2 in. Shipping: 2261 x 914 x 1219 mm / 89 x 36 x 48 in.
Weight	Unit: 272.7 kg / 601 lb. Shipping: 295.4 kg / 650 lb.

Storage Conditions

Storage Temperature: -25° to +65°C -13° to +149°F	Relative Humidity: 0–95% Non-condensing	Altitude: 0–15000 m 0–50000 ft

Move to the Installation Site



Use a pallet jack or a forklift to move the Modular PDU. Lift only from the bottom. Do not use a forklift if the Modular PDU has been removed from its pallet.

NOTICE

- Leaving the equipment uncovered and exposed to the elements will cause damage and void the factory warranty.
- When possible, leave the equipment on the pallet until you are ready to move it to its final location.
- If the height of the enclosure exceeds the height of the doorway, remove the enclosure from the pallet.
- After the unit has been removed from the pallet, move it only by rolling it on the casters.
- Ensure that the floor and sub-floor can support the total weight of the system, especially when the weight is concentrated on the stabilizing feet.
- Ensure that the floor is level. The unit must be installed on a level floor.

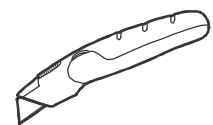
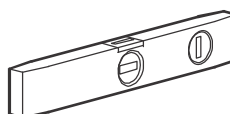
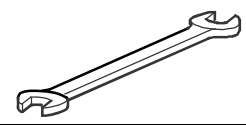
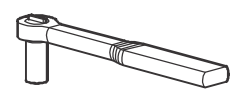
Unpacking

If the system is not being installed immediately, do not remove the packaging. Store the system in an indoor, temperature-controlled area, free of conductive contaminants.

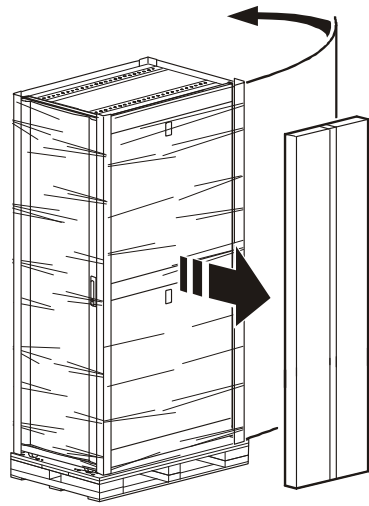


A minimum of two people are required to control the unit as it rolls down the ramp. One person should be on either side of the ramp. Ensure a clear area around the pallet and the ramp as an escape route in the event the unit were to tip over.

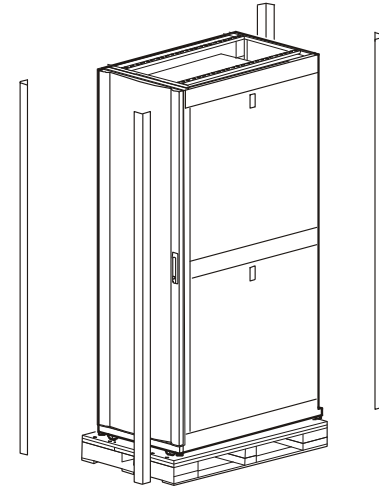


Tools Required (Not Provided)	
	
Utility Knife	Level
	
17mm open ended wrench	13mm socket wrench

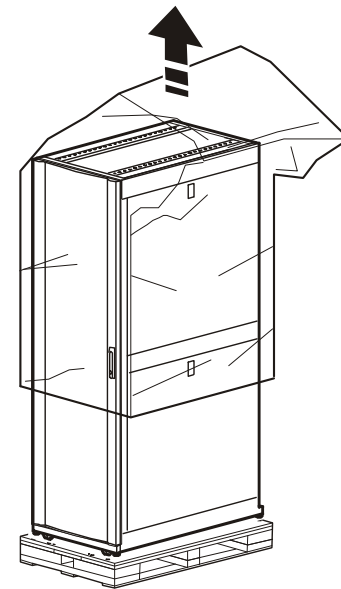
1



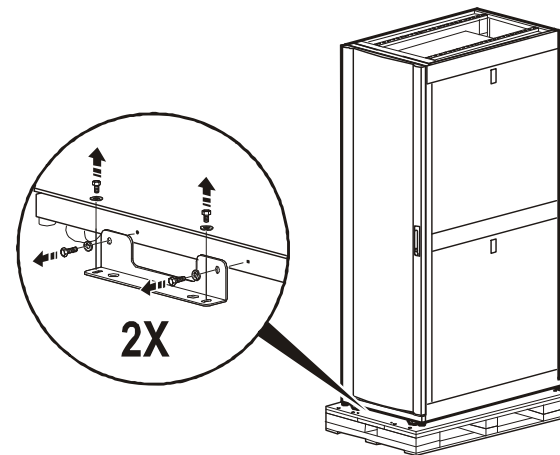
2



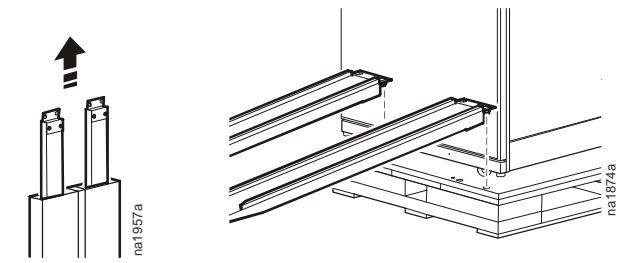
3



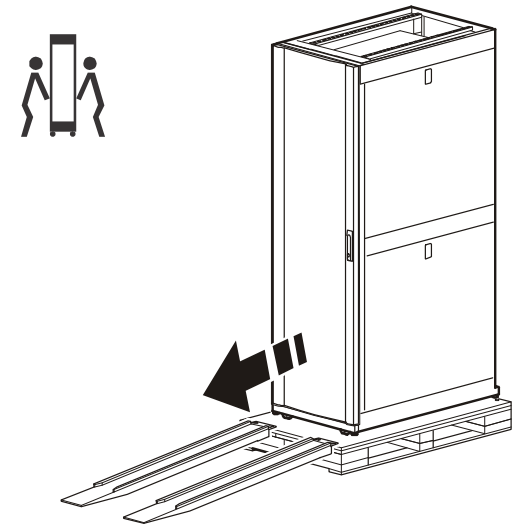
4



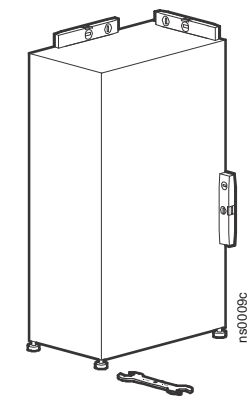
5



6



7



Documentation Storage

The Installation manual is located inside the enclosure.