

MGE UPS and Vycon Flywheel

Interconnection



Table of Contents

About this Manual	1
Companion Manuals	1
Find Updates to the Manuals	1
Power Connection Principle	2
UPS Single Module and Flywheel.....	2
UPS Integrated Parallel or UPS Multimodule and Flywheel.....	2
Connect the DC Bus	3
Connect the AC Bus	4
Communication Cables between UPS and Flywheel.....	5
Connect Galaxy PW Communication Cables	5
Connect EPS 7000 and EPS 8000 Communication Cables	5

About this Manual

This manual provides technical information on how to connect the Flywheel VDC or Flywheel VDC-XE to the MGE Galaxy PW, MGE EPS 7000, or MGE EPS 8000.

Companion Manuals

For additional information about the products, see the following documents:

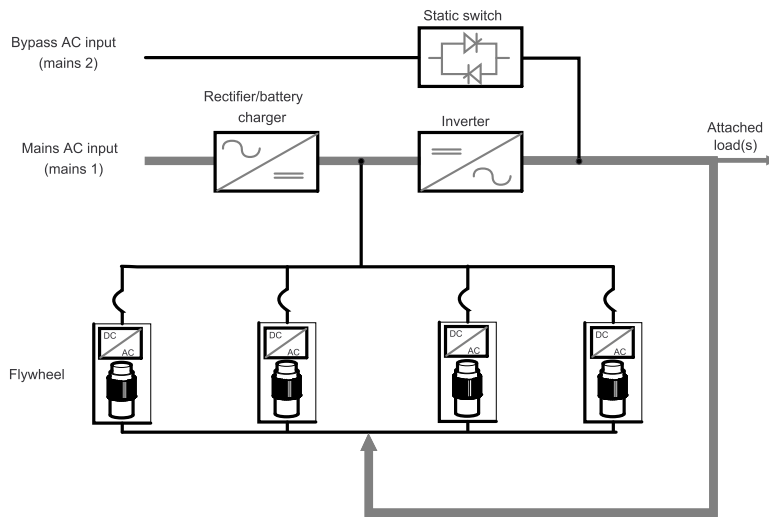
- MGE Galaxy PW
 - 990-4220-001: MGE Galaxy PW 150-225 kVA 480 V Receiving and Unpacking
 - 990-4219-001: MGE Galaxy PW 150-225 kVA 480 V Installation
 - 990-4222-001: MGE Galaxy PW 150-225 kVA 480 V Operation
- MGE EPS 7000
 - 86-134003-00: MGE EPS 7000 Single Module and Shared Systems Installation Manual
 - 86-134004-00: MGE EPS 7000 Single Module Users Manual
 - 86-134005-00: MGE EPS 7000 Shared Systems Users Manual
- MGE EPS 8000
 - 86-132215-00: MGE EPS 8000 Single Module and Shared Systems Installation Manual
 - 86-132216-00: MGE EPS 8000 Shared Systems User Manual
 - 86-132217-00: MGE EPS 8000 Single Module Users Manual
- MGE EPS 8000 1000/1100 kVA
 - 990-3514-001: MGE EPS 8000 1000/1100 kVA Safety Sheet
 - 990-3516-001: MGE EPS 8000 1000/1100 kVA Receiving and Unpacking
 - 990-3515-001: MGE EPS 8000 1000/1100 kVA Single Module Installation
 - 990-3528-001: MGE EPS 8000 1000/1100 kVA Multi Module Installation
 - 990-3517-001: MGE EPS 8000 1000/1100 kVA Operation
- Vycon VDC and VDC XE
 - 9801007-00 Vycon VDC and VDC XE User Manual
 - 9000043-00 Interconnect Wiring Diagram
 - 9000038-00 Facilities Interface Drawing
 - 9000044-00 System Power Diagram

Find Updates to the Manuals

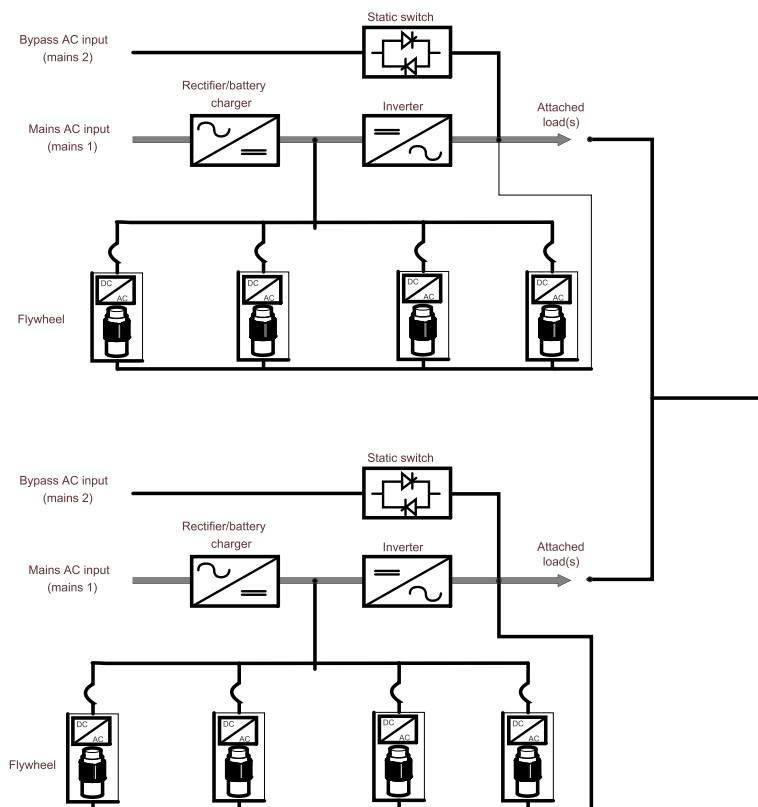
You can check for updates to the manuals on www.apc.com.

Power Connection Principle

UPS Single Module and Flywheel



UPS Integrated Parallel or UPS Multimodule and Flywheel



Connect the DC Bus



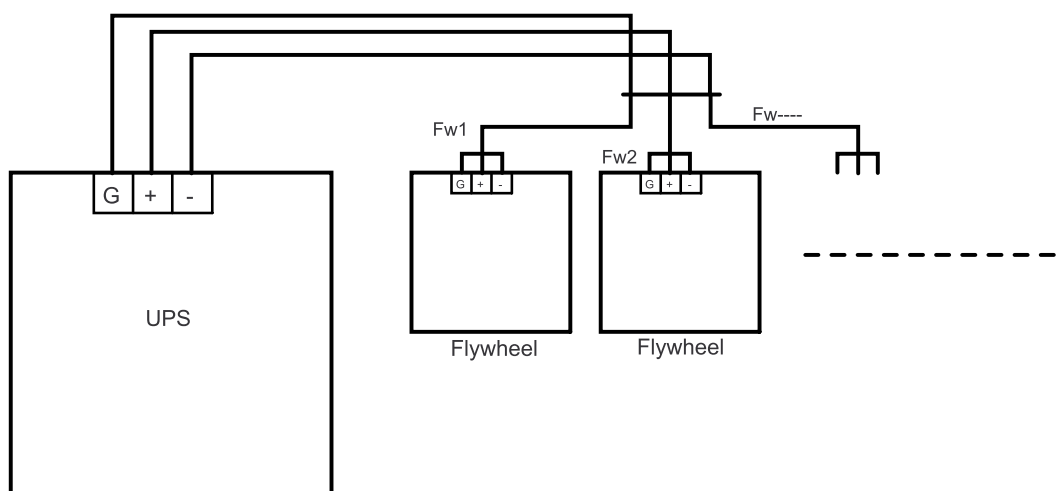
See: Refer to documentation shipped with UPS for information on recommended cable and conduits sizes.



WARNING: If more than one flywheel are connected to the UPS system, all power cable sets must have same length and cross-section.

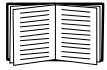


Note: All cables are supplied and connected by the customer.



1. Connect the DC cables to the G, +, and – terminals in the flywheel.
2. Route the DC cables to the UPS and connect to the G, +, and – terminals in the UPS.

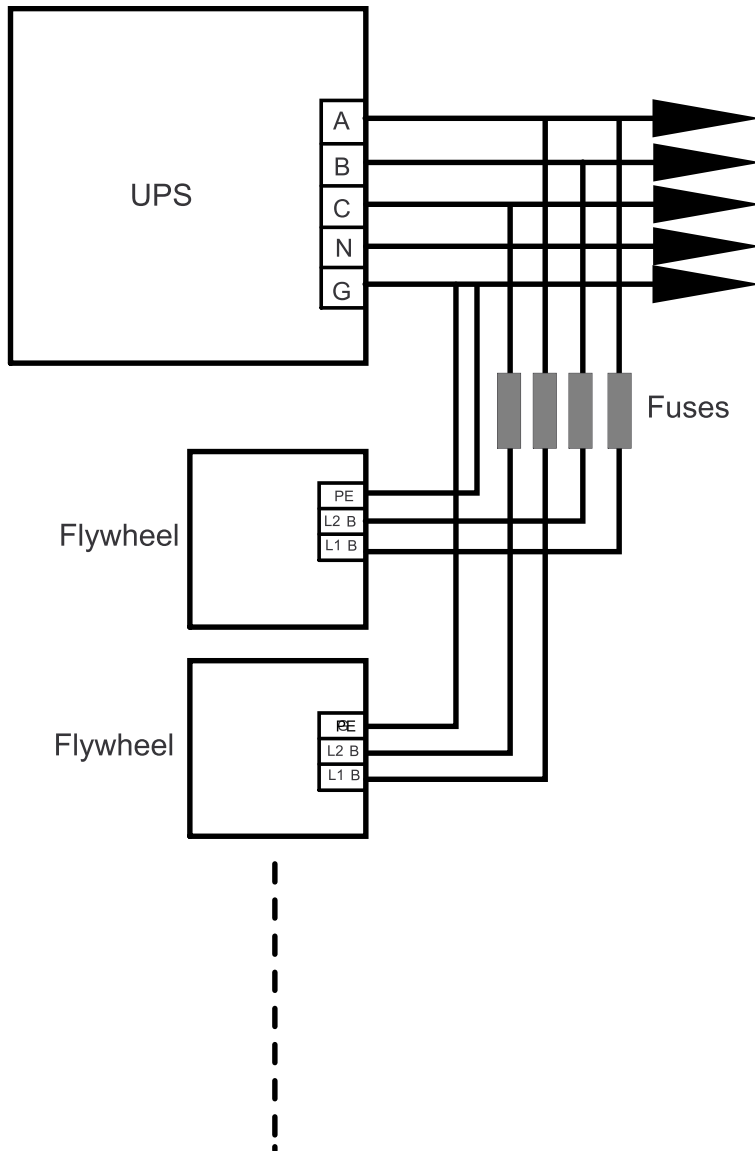
Connect the AC Bus



See: Refer to documentation shipped with the flywheel for information on recommended AC terminals and fuse sizes.



Note: All cables and fuses are supplied and connected by the customer.



1. Connect one end of the AC cables to the UPS output as shown above.
2. Connect the other end of the AC cables to the AC terminals in the flywheel.

Communication Cables between UPS and Flywheel

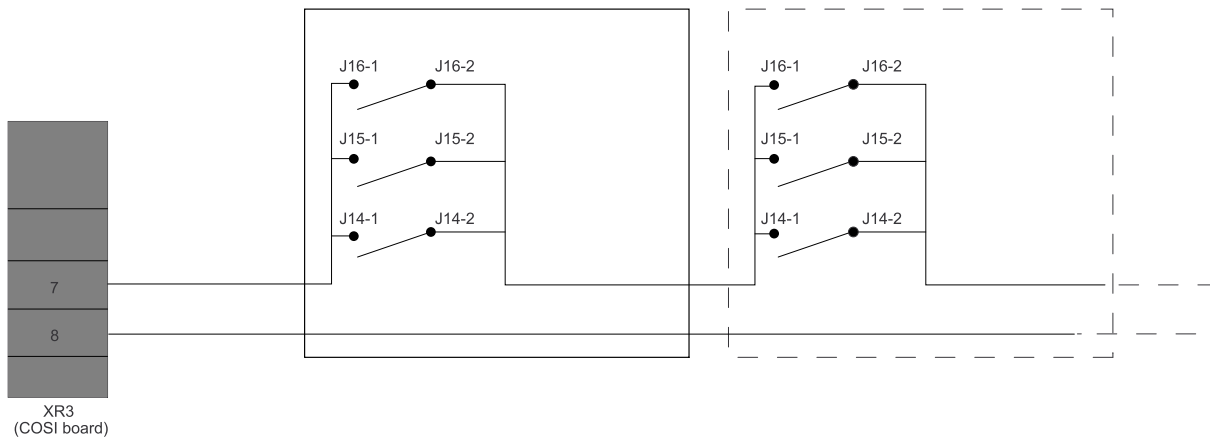


See: Refer to documentation shipped with UPS for information on recommended cable and conduits sizes.

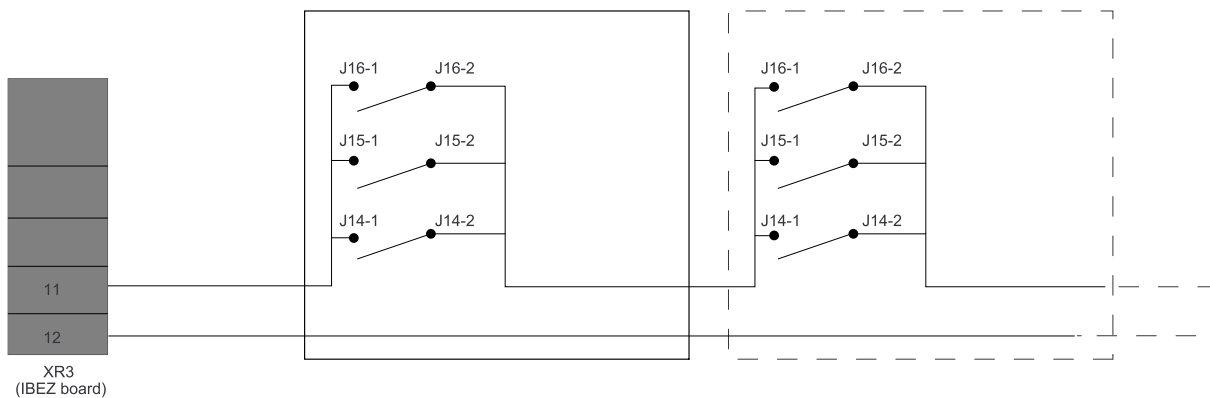


Note: All cables are supplied and connected by the customer.

Connect Galaxy PW Communication Cables



Connect EPS 7000 and EPS 8000 Communication Cables



Worldwide Customer Support

Customer support for this or any other product is available at no charge:

- Contact the Customer Support Center by telephone or e-mail. For local, country-specific centers: go to www.apc.com/support/contact for contact information.

© APC by Schneider Electric. APC and the APC logo are owned by Schneider Electric Industries S.A.S., American Power Conversion Corporation, or their affiliated companies. All other trademarks are property of their respective owners.