

The small **LM-A210** cantilever axis, with its compact dimensions and its extremely low weight (only 0.25 kg per 100mm stroke) is ideal for the handling of small components.

The two bar guide is simple and robust. The built in linear bearings allow for a large load moment with high precision during positioning.

The axis body is only 40 mm thin, allowing it to be integrated into applications where space is limited.


The axis can be driven by **Berger Lahr** 3-phase stepping motors or with customer specified motors such as servo motors.




LM-A210BT100


Features

- High loading capacity due to precise circulating ball bearings.
- Maintenance free, bearings are lubricated for the entire service life.
- Extremely light cantilever for dynamic positioning processes.
- Construction wise, is very compact and space saving.
- Axis available in corrosion resistant material.
- Stroke length up to 300 mm. Cut to length.

Maximum load  **5 kg**

Maximum stroke  **300 mm**

Maximum speed  **2 m/s**

Maximum driving torque  **4,9 Nm**

Versions

Type Key					Description
LM-	A	210	B	T 100	
				100	Stroke per revolution of the drive shaft
			T		Toothed belt
			B		linear ball bearing
		210			Axis profile size
	A				Cantilever axis
LM					Linear module

e.g.: LM-A210BT100 Cantilever axis LM-A210 with linear ball bearings, toothed belt and 100 mm stroke per revolution of the drive shaft

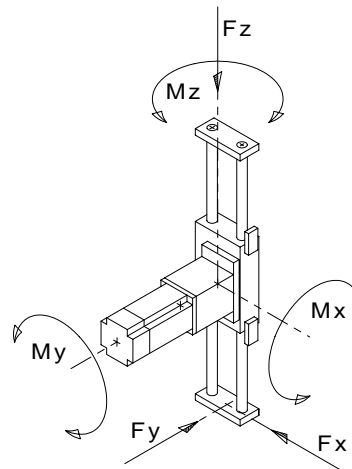
Specifications

	LM-A210BT100
Max. load	5 kg
Max. stroke	300 mm
Max. torque at the driving shaft	4,9 Nm
Idle torque	0,3 Nm
Max. speed ①	2 m/s
Repeatability	± 0.05 mm
Stroke per revolution of the driving shaft	100 mm
Effective diameter	31,83 mm
Rotational moment of inertia of the axis (without motor)	0.26 kgcm ²
Power transmission	Toothed belt b20 AT5
Dead weight (zero stroke) (without the motor)	2,65 kg
Moving weight with zero stroke per 100 mm stroke	1.05 kg 0.25 kg

① load and stroke dependent

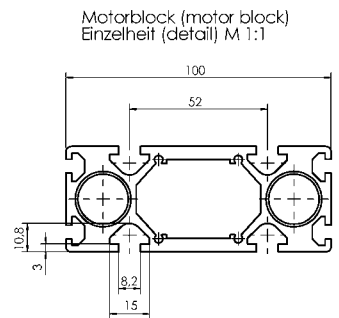
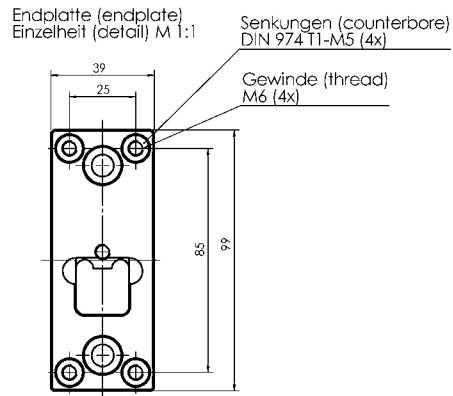
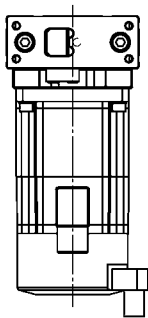
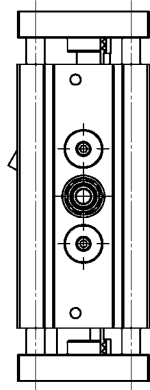
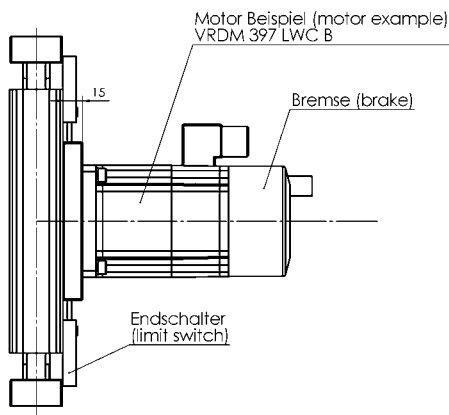
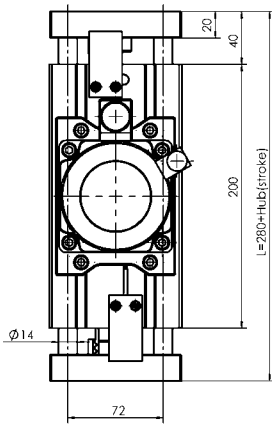
Maximum Forces and Torque

	LM-A210BT100	
Max. forces	F _x	115 N
	F _y	115 N
	F _z	305 N
Max. torque	M _x	17 Nm
	M _y	41 Nm
	M _z	5 Nm



Motors for LM-A210BT100

3-phase stepping motors	VRDM 397	VRDM 3910	VRDM 3913
Max. torque	2 Nm	4 Nm	6 Nm
Motor weight	2,05 kg	3,1 kg	4,2 kg



INQUIRY

Please fill in the form on this page and mail it or fax it to your local **Berger Lahr Positec** sales office.

Within the next couple of days, we will send you an obligation free offer for your desired axis version.

Sender:

Contact _____

Company _____

Street/P.O. box _____

City/postal code _____

Phone _____

Fax _____

Cantilever axis LM-A210

Basic version

LM-A210BT100

Stainless version no (standard) yes

Limit switch none two

Stroke length _____ mm (max.300 mm)



NOTE
Additional axes available on request.

NOTE
You may use customer specific motors.



Standard drives for LM-A210

3-phase stepping motor

- VRDM 397 (2 Nm)
- VRDM 3910 (4 Nm)
- VRDM 3913 (6 Nm)

Motor connection

- with connector
- with terminal box

Motor options

- with encoder (only for motors with connector)
- with brake

Remarks: