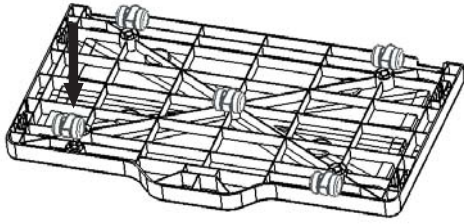
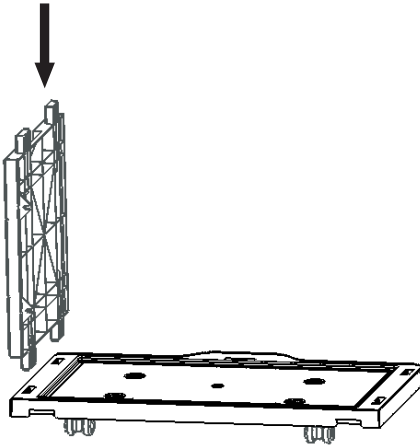


Lighting UPS Battery Cabinet Assembly Sequence

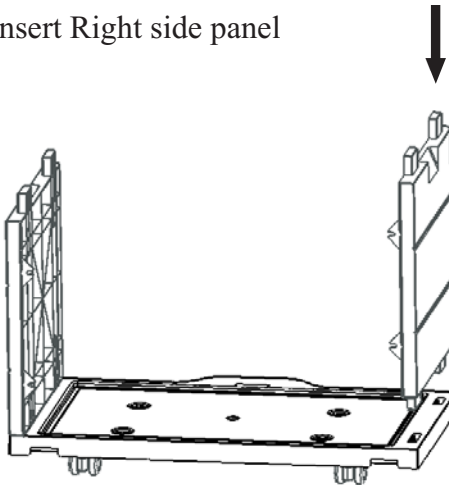
1. Fix Castors in the Bottom panel.(5No)



2. Insert Left side panel

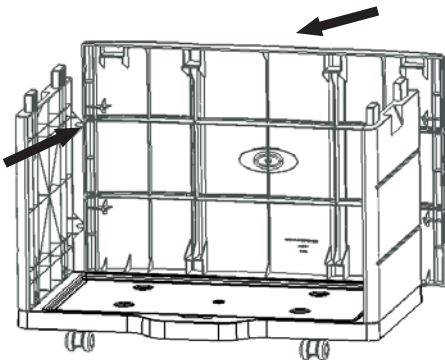


3. Insert Right side panel

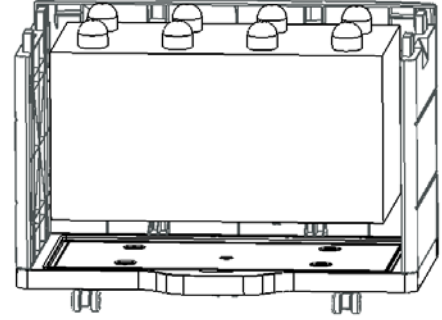


4. Fix Front panel on Bottom & Side panel

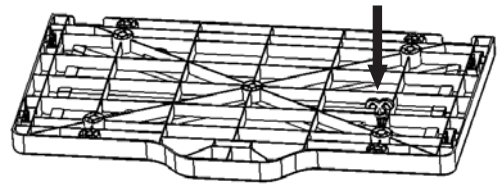
Fasten with screws (4No)



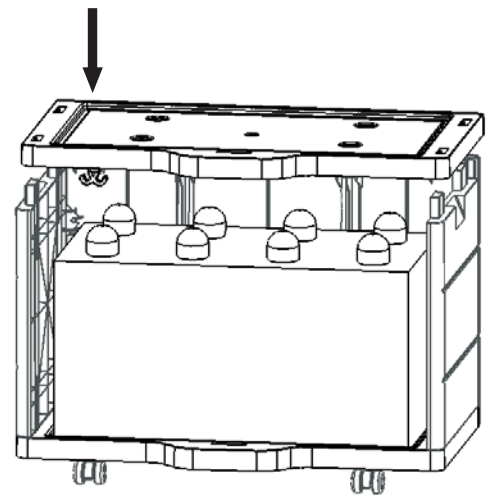
5. Place Battery



6. Insert Wire holder in Top Panel



7. Insert Top Panel



8.

