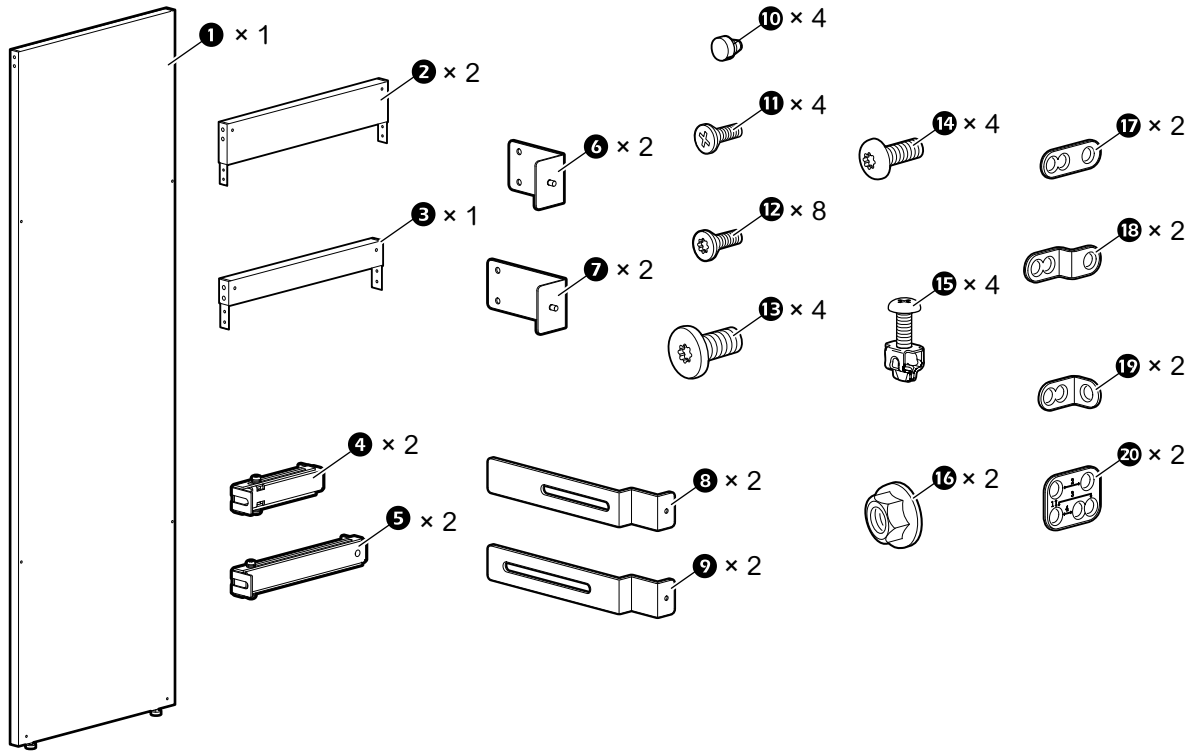


Blanking Panel Installation

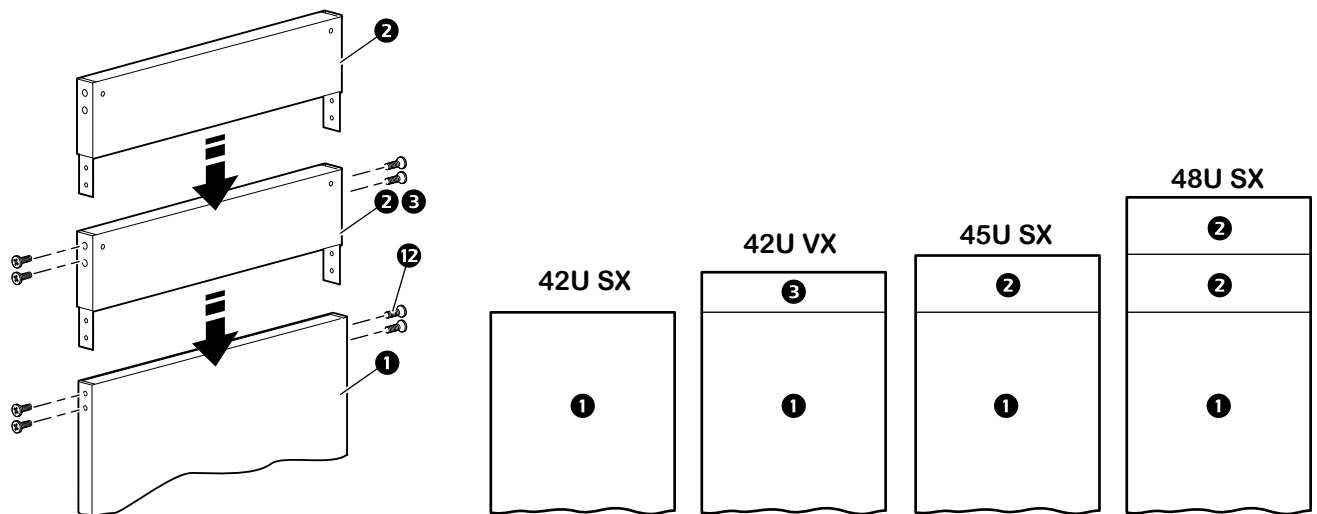
ACDC2575, ACDC2576, ACDC2577, ACDC2578

Inventory



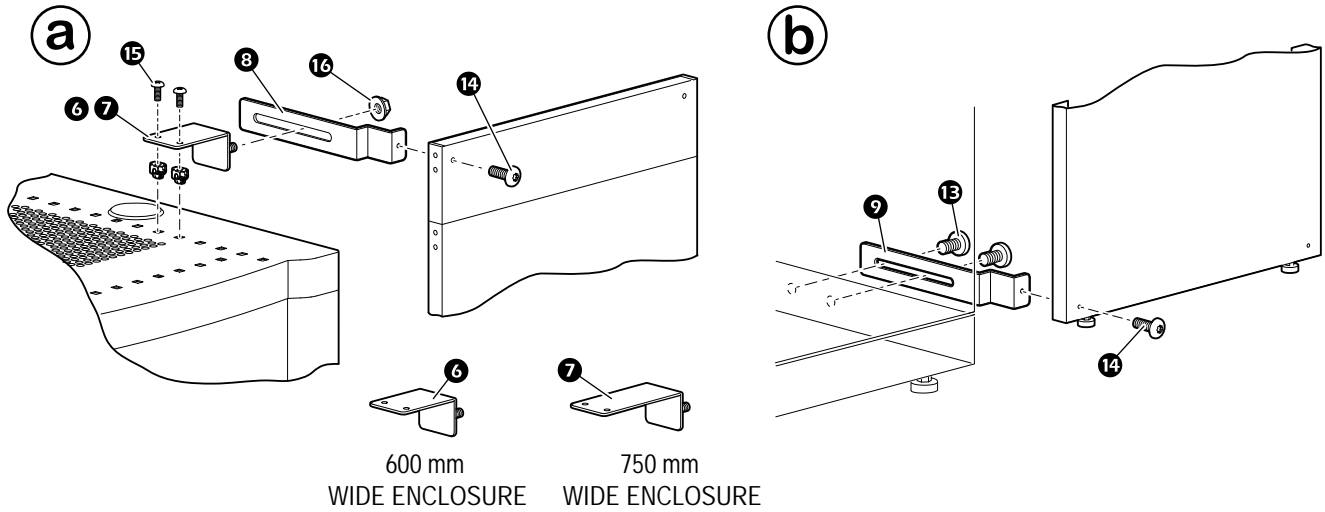
Installation

- 1 If necessary install height extensions to the top of the panel.



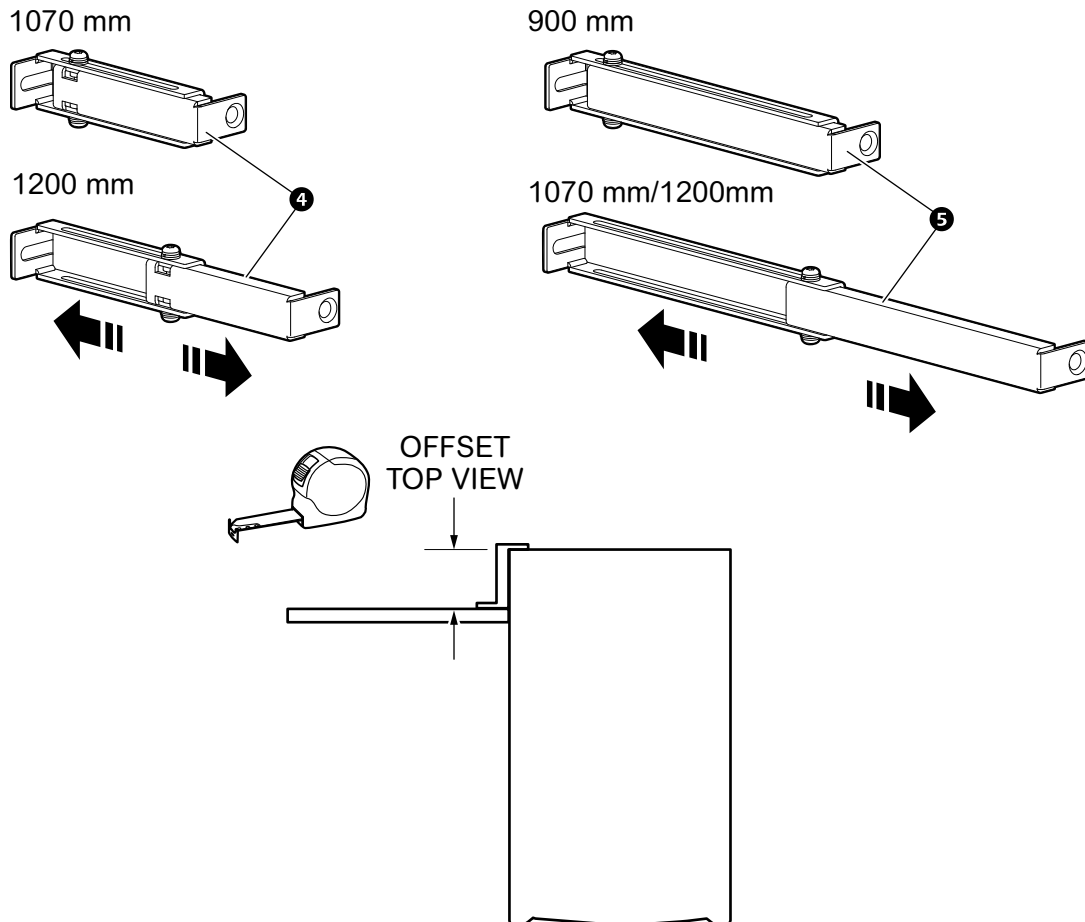
- 2** Using the appropriate hardware and fasteners attach the blanking panel to the enclosures.

VX ENCLOSURE

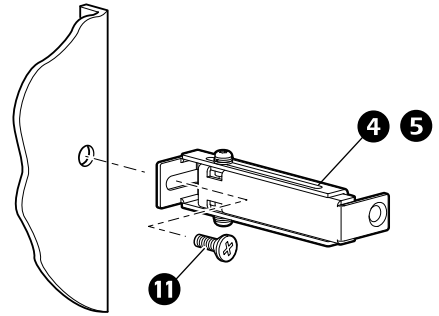
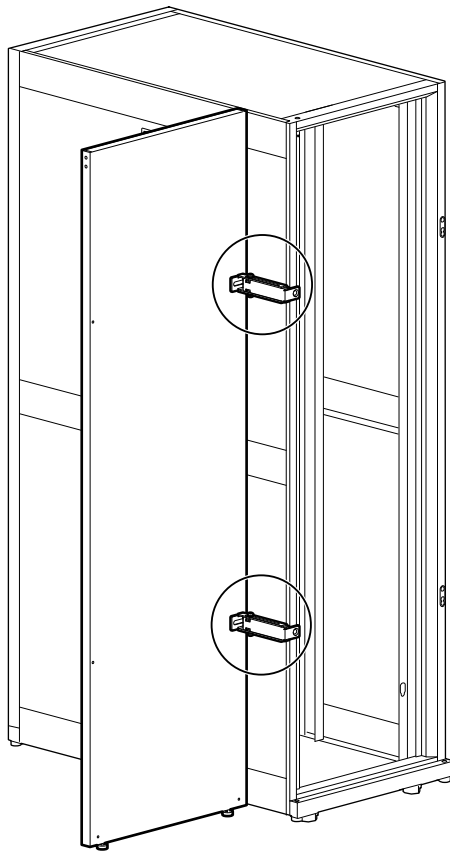


SX ENCLOSURE—OFFSET ALIGNMENT

- a** If necessary adjust the length of the offset mounting bracket to accommodate the depth difference between the enclosures.

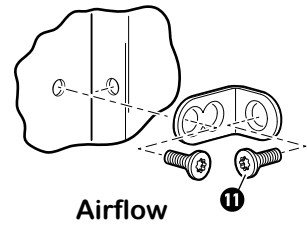
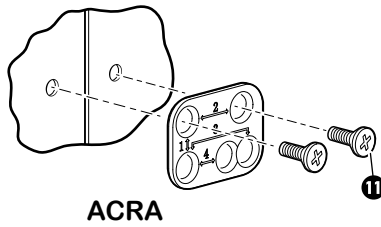
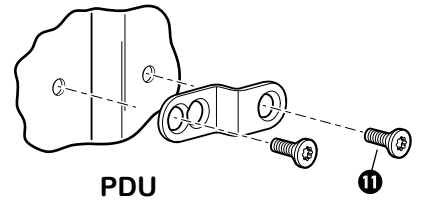
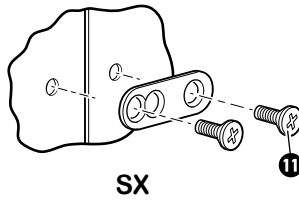
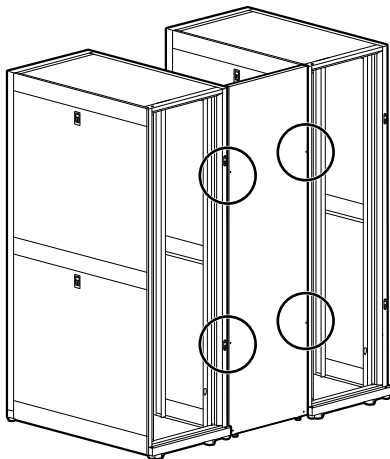


b

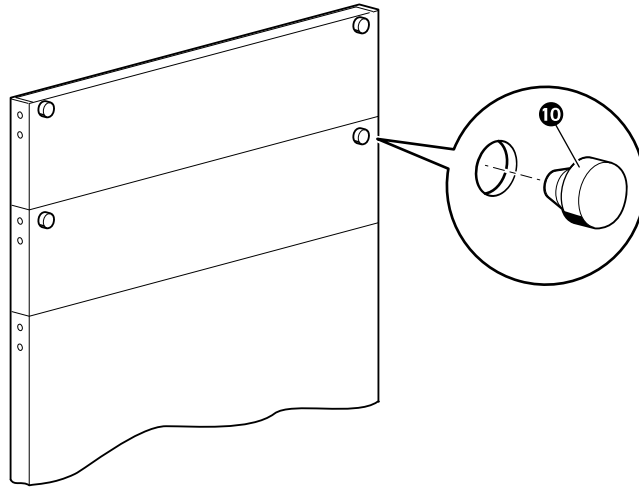


SX, ACRA, PDU, AIRFLOW ENCLOSURES—FLUSH ALIGNMENT

Install the mounting brackets.



- 3** On 45U and 48U SX applications, install rubber grommets into any unused holes in the height extension panels.



Customer support and warranty information is available at the APC Web site, www.apc.com.

© Schneider Electric, APC and the APC logo are owned by Schneider Electric Industries S.A.S., or its affiliated companies. All other trademarks are property of their respective owners.

990-5071
6/2013