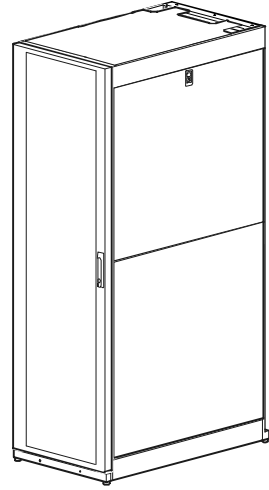
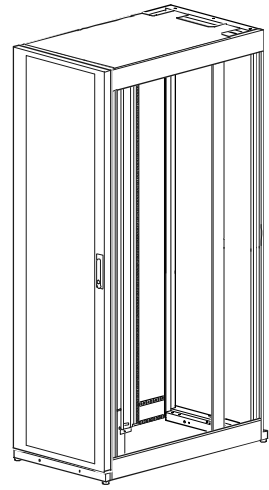




# NetShelter® VL Enclosure Receiving, Unpacking, and Moving



AR2900



AR2901

## Safety Information

### Move the equipment



**Heavy:** Do not attempt to move the enclosure without assistance. The recommended equipment to move the enclosure while it is still on its shipping pallet includes the following:



Pallet jack



Forklift

## Receive the Enclosure

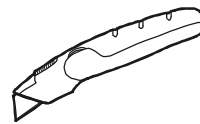
### Inspect the exterior packaging

Before unpacking the shipment, verify that the labeled boxes match the bill of lading and carefully inspect the exterior of the shipment immediately upon receipt.

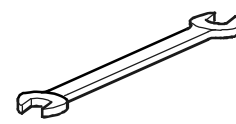
### Inspect the equipment

Once you have unpacked the enclosure, carefully inspect it for visible signs of shipping damage. If you detect shipping damage, contact APC Customer Support at the number listed on the yellow label on the front of the enclosure or reference the customer support information on the back cover of this *Receiving, Unpacking, and Moving* sheet.

## Tools Required



Utility knife



13-mm open-ended wrench

## Unpack the Enclosure



**Caution:** Leaving the equipment uncovered and exposed to the elements will cause damage and void the factory warranty.

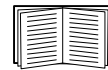


**Recyclable materials:** The shipping materials are recyclable. Save them for later use, or dispose of them appropriately.



**Note:** When possible, leave the equipment on the pallet until you are ready to move it to its final location.

## Installation and Customization



For installation and customization information, see the *NetShelter VL Enclosure Unpacking, Installation, and Customization Manual* on the APC Web site, [www.apc.com](http://www.apc.com).

## APC Worldwide Customer Support

Customer support for this or any other APC product is available at no charge in any of the following ways:

- Visit the APC Web site to access documents in the APC Knowledge Base and to submit customer support requests.
- [www.apc.com](http://www.apc.com) (Corporate Headquarters)
  - Connect to localized APC Web sites for specific countries, each of which provides customer support information.
  - [www.apc.com/support/](http://www.apc.com/support/)
  - Global support searching APC Knowledge Base and using e-support.
- Contact an APC Customer Support center by telephone or e-mail.
  - Local, country-specific centers: go to [www.apc.com/support/contact](http://www.apc.com/support/contact) for contact information.

Contact the APC representative or other distributors from whom you purchased your APC product for information on how to obtain local customer support.



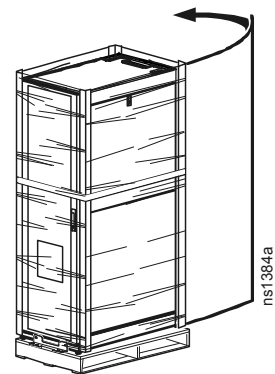
600Z/1/0



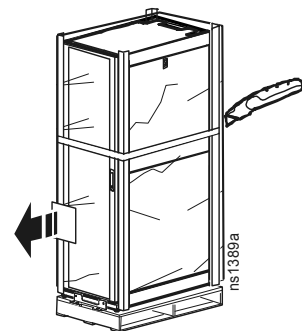
990-3472

Customer support and warranty information is available at the APC Web site, [www.apc.com](http://www.apc.com).  
© 2009 American Power Conversion. All rights reserved. All APC trademarks are property of American Power Conversion. Other trademarks are property of their respective owners.

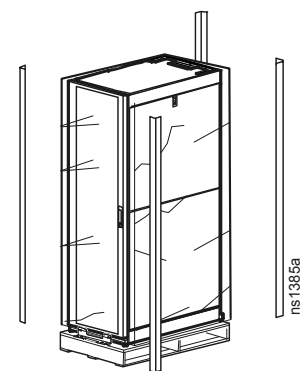
1



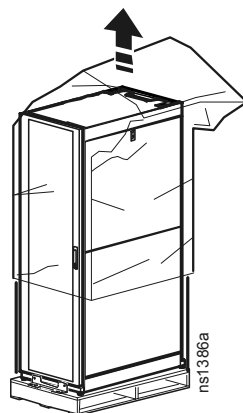
2



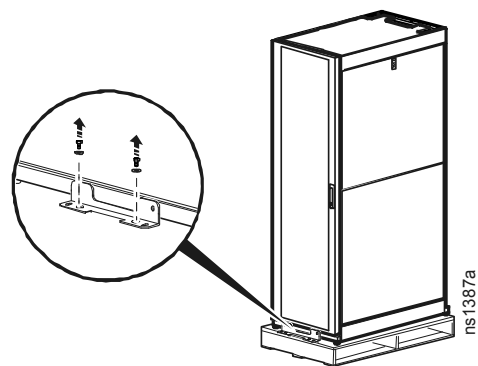
3



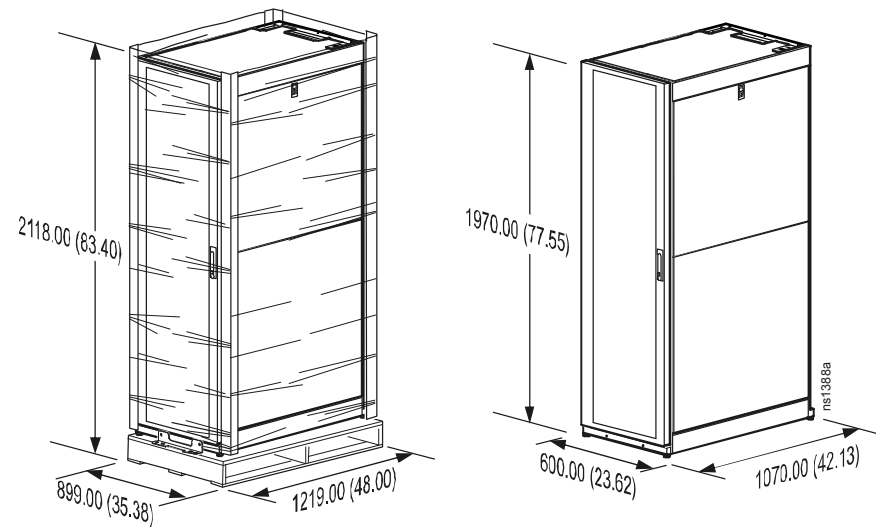
4



5



**Dimensions and weights**



\* Dimensions are shown in millimeters with inches in parenthesis.

SKU	Unpackaged Weight	Packaged Weight
AR2900	105.40 kg (232.37 lb)	121.00 kg (266.76 lb)
AR2901	76.00 kg (167.55 lb)	91.00 kg (200.62 lb)