

Installation Guide Rack Power Distribution Unit AP7520

Important Safety Information

Read the instructions carefully to become familiar with the equipment before trying to install, operate or maintain it. The following special messages may appear throughout this manual or on the equipment to warn of potential hazards or to call attention to information that clarifies or simplifies a procedure.



The addition of this symbol to a Danger or Warning safety label indicates that an electrical hazard exists which will result in personal injury if the instructions are not followed.



This is the safety alert symbol. It is used to alert you to potential personal injury hazards. Obey all safety messages that follow this symbol to avoid possible injury or death.

WARNING

WARNING indicates a potentially hazardous situation which, if not avoided, **can result** in death or serious injury.

CAUTION

CAUTION indicates a potentially hazardous situation which, if not avoided, **can result in** minor or moderate injury.

NOTICE

NOTICE used to address practices not related to physical injury. The safety alert symbol is not used with this signal word.

Inspect the package contents upon receipt. Notify the carrier and dealer if there is any damage.

Adhere to all local and national electrical codes.



Recycle the packaging.

Deenergizing safety

Before installing or servicing the equipment, check that the external batteries are disconnected and the branch circuit (mains) to UPS is disconnected.

Hardwire safety

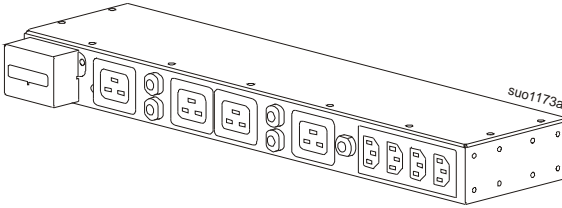
- Verify that all branch circuit (mains) and low voltage (control) circuits are deenergized, and locked out before installing cables or making connections, whether in the junction box or to the UPS.
- Wiring by a qualified electrician is required.
- Adhere to all national and local codes.
- Select wire size and connectors according to national and local codes.
- Strain relief is required for all hardwiring.

All openings allowing access to UPS hardwiring terminals must be covered. Failure to do so may result in personal injury or equipment damage.

Package Contents

The packaging is recyclable; save it for reuse or dispose of it properly.
Check the PDU package contents:

PDU

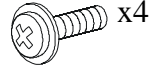


4 cage nuts



x4

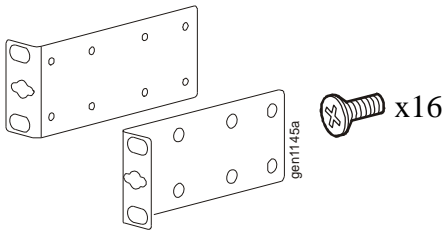
4 cage nut screws



x4

1 pair of brackets

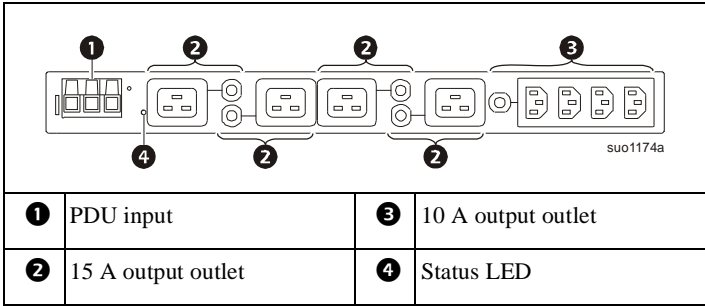
16 M4 countersunk screws



x16

NOTE: The model and serial numbers are located on a top panel label.

Rear Panel Features



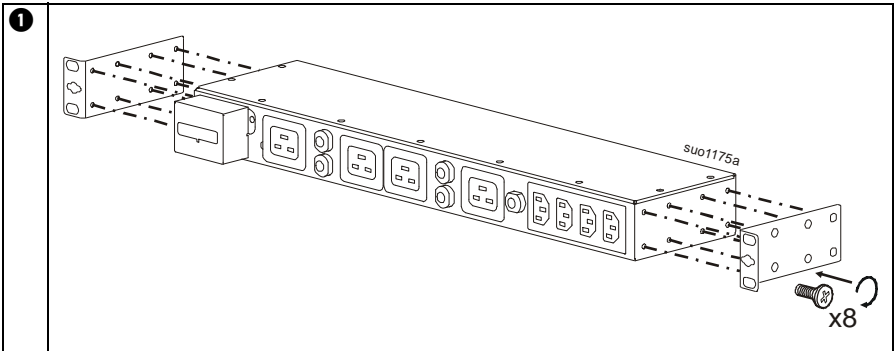
Rack-Mount Installation

⚠ CAUTION

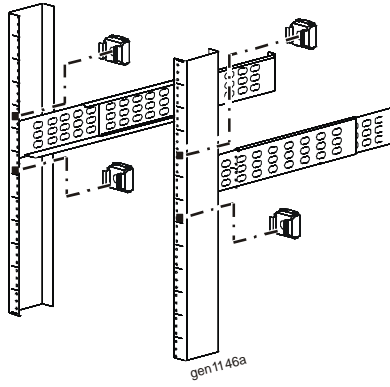
DAMAGE TO EQUIPMENT OR PERSONNEL

- Always use the recommended number of screws to secure brackets to the PDU.
- Always use the recommended number of screws to secure the PDU to the rack.
- Always install the PDU above the UPS on the rack.

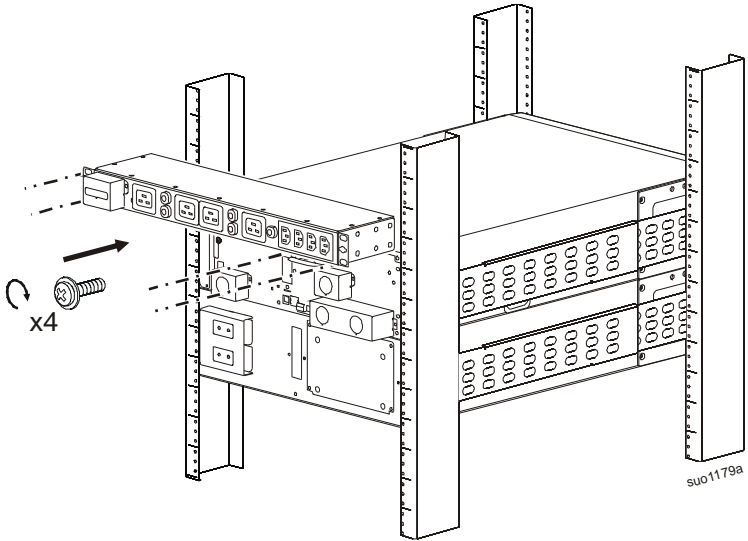
Failure to follow these instructions can result in equipment damage and minor or moderate injury.



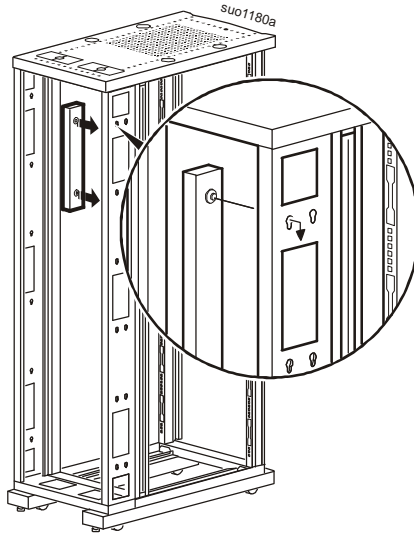
2



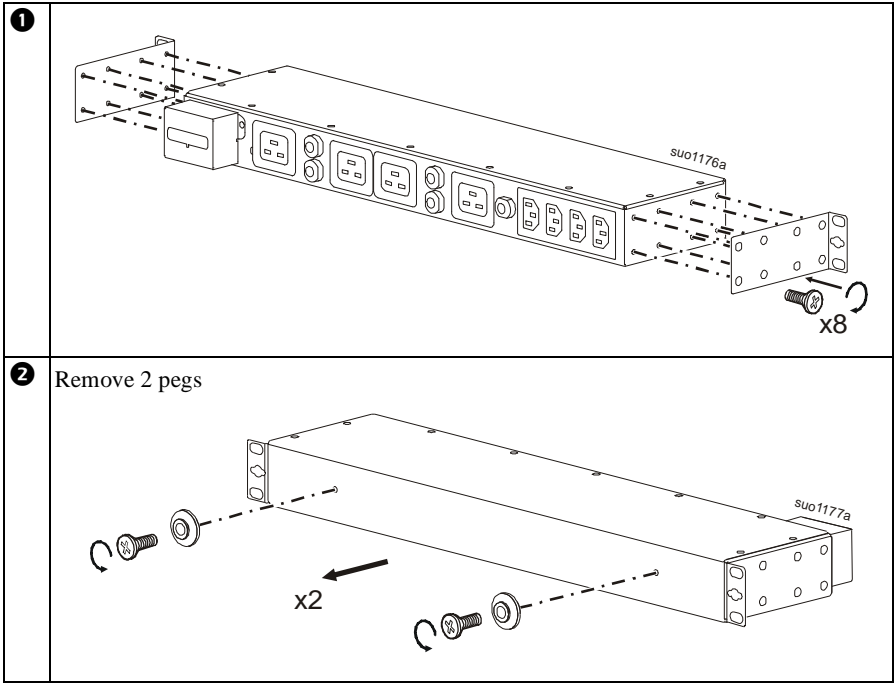
3



Vertical Mount in Closed Rack



Wall Installation

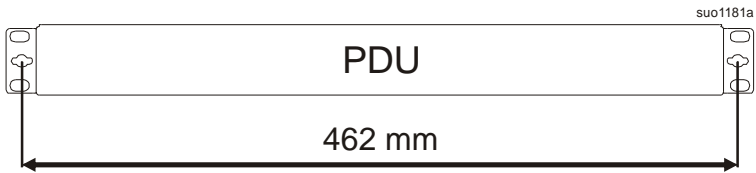


Mounting

The PDU can be mounted in both horizontal and vertical orientations.

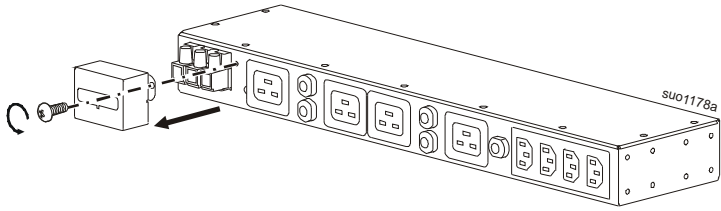
- The distance between the two holes for wall installation is 462 mm.
- Use M6 screws or equivalent to mount the PDU on the wall.

Note: Illustration is not to scale.



Hardwire PDU with UPS

Terminal block cover



Hardwire

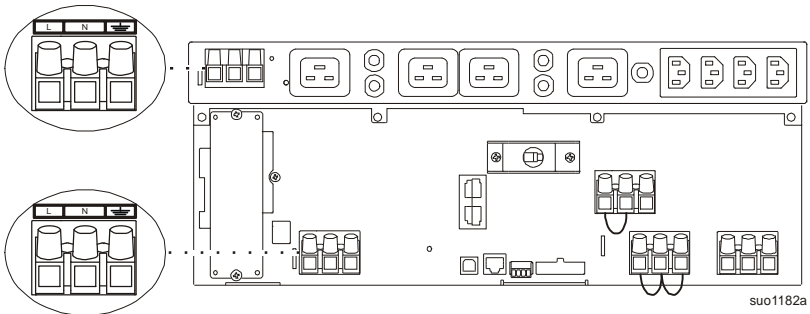
⚠ WARNING

HAZARD OF ELECTRIC SHOCK

- All electrical work must be performed by a qualified electrician.
- Turn off all power to this equipment before working on the equipment. Practice lockout/tagout procedures. Do not wear jewelry when working with electrical equipment.
- Ensure that line, neutral and ground cables of the UPS are connected to the respective terminals of the PDU.

Failure to follow these instructions can result in serious injury.

Adhere to all national and local electrical codes.



- Use 10 mm² (7 AWG) wire (not supplied)
 - Maximum output rating:
220-240 V, 50-60 Hz, 46 A
1. Locate the hardwire terminal block cover on rear panel of UPS. Remove the screw securing the cover and remove the cover.
 2. Remove the knockout from the cover.

3. Connect the line, ground and neutral wires from the UPS, to the terminal block through the cover. Terminals are labeled for proper wire configuration.
4. Replace and secure the cover removed in *step 1*.
5. Locate the hardwire terminal block cover on rear panel of PDU. Remove the screw securing the cover and remove the cover.
6. Remove the knockout from the cover.
7. Connect the line, ground and neutral wires to the terminal block through the cover. Terminals are labeled for proper wire configuration.
8. Replace and secure the cover removed in *step 5*.

Troubleshooting

| Problem and/or Possible Cause | Solution |
|--|---|
| The connected equipment is not receiving power from the PDU | |
| The UPS is not turned on. | Press and hold the POWER ON/OFF button until a short beep is heard to turn on the UPS. |
| The UPS is not connected to utility power supply. | Check that the power cable from the UPS to the utility power supply is securely connected at both ends. |
| Bypass input magnetic circuit breaker on the UPS is tripped. | Turn on the bypass input circuit breaker on the UPS. |
| No input voltage in the bypass terminal of the UPS. | Install shorting link or provide bypass input in the UPS. |
| The circuit breaker on the PDU has tripped. | Disconnect equipment from the PDU. Reset the circuit breaker. Reconnect equipment. If the circuit breaker trips again, disconnect the device that caused the short circuit. |
| Status LED is not illuminated | The PDU is not receiving power from the UPS. Check the UPS. |

Service

If the unit requires service, do not return it to the dealer. Follow these steps:

1. Review the *Troubleshooting* section of the manual to eliminate common problems.
2. If the problem persists, contact APC by Schneider Electric Customer Support.
 - a. Note the model number and serial number and the date of purchase. The model and serial numbers are located on the rear panel of the unit and are available through the LCD display on select models.
 - b. Call APC by Schneider Electric Customer Support and a technician will attempt to solve the problem over the phone. If this is not possible, the technician will issue a Service Request Number.
 - c. If the unit is under warranty, the repairs are free.

An Authorized Service Representative will visit your location and try to resolve the issue.

Limited Factory Warranty

Schneider Electric IT Business India Private Ltd. (SEITBIPL), warrants its products to be free from defects in materials and workmanship for a period of two (2) years from the date of purchase. The SEITBIPL obligation under this warranty is limited to repairing or replacing, at its own sole option, any such defective products or parts thereof. Repair or replacement of a defective product or part thereof does not extend the original warranty period.

This warranty applies only to the original purchaser who must have properly registered the product within 10 days of purchase. Products may be registered online at warranty.apc.com or by mailing in the completed warranty registration card that is included with the documentation.

SEITBIPL shall not be liable under the warranty if its testing and examination disclose that the alleged defect in the product does not exist or was caused by end user's or any third person's misuse, negligence, improper installation, testing, operation or use of the product contrary to SEITBIPL's recommendations or specifications. Further, SEITBIPL shall not be liable for defects resulting from: 1) unauthorized attempts to repair or modify the product, 2) incorrect or inadequate electrical voltage or connection, 3) inappropriate on site operation conditions, 4) Acts of God, 5) exposure to the elements, 6) theft. In no event shall SEITBIPL have any liability under this warranty for any product where the serial number has been altered, defaced, or removed, 7) normal wear resulting from frequent use.

EXCEPT AS SET FORTH ABOVE, THERE ARE NO WARRANTIES, EXPRESS OR IMPLIED, BY OPERATION OF LAW OR OTHERWISE, APPLICABLE TO PRODUCTS SOLD, SERVICED OR FURNISHED UNDER THIS AGREEMENT OR IN CONNECTION HEREWITH.

SEITBIPL DISCLAIMS ALL IMPLIED WARRANTIES OF MERCHANTABILITY, SATISFACTION AND FITNESS FOR A PARTICULAR PURPOSE.

SEITBIPL EXPRESS WARRANTIES WILL NOT BE ENLARGED, DIMINISHED, OR AFFECTED BY AND NO OBLIGATION OR LIABILITY WILL ARISE OUT OF, SEITBIPL'S RENDERING OF TECHNICAL OR OTHER ADVICE OR SERVICE IN CONNECTION WITH THE PRODUCTS.

THE FOREGOING WARRANTIES AND REMEDIES ARE EXCLUSIVE AND IN LIEU OF ALL OTHER WARRANTIES AND REMEDIES. THE WARRANTIES SET FORTH ABOVE CONSTITUTE SEITBIPL'S SOLE LIABILITY AND PURCHASER'S EXCLUSIVE REMEDY FOR ANY BREACH OF SUCH WARRANTIES. SEITBIPL WARRANTIES EXTEND ONLY TO ORIGINAL PURCHASER AND ARE NOT EXTENDED TO ANY THIRD PARTIES.

IN NO EVENT SHALL SEITBIPL, ITS OFFICERS, DIRECTORS, AFFILIATES OR EMPLOYEES BE LIABLE FOR ANY FORM OF INDIRECT, SPECIAL, CONSEQUENTIAL OR PUNITIVE DAMAGES, ARISING OUT OF THE USE, SERVICE OR INSTALLATION OF THE PRODUCTS, WHETHER SUCH DAMAGES ARISE IN CONTRACT OR TORT, IRRESPECTIVE OF FAULT, NEGLIGENCE OR STRICT LIABILITY OR WHETHER SEITBIPL HAS BEEN ADVISED IN ADVANCE OF THE POSSIBILITY OF SUCH DAMAGES. SPECIFICALLY, SEITBIPL IS NOT LIABLE FOR ANY COSTS, SUCH AS LOST PROFITS OR REVENUE, WHETHER DIRECT OR INDIRECT, LOSS OF EQUIPMENT, LOSS OF USE OF EQUIPMENT, LOSS OF SOFTWARE, LOSS OF DATA, COSTS OF SUBSTITUANTS, CLAIMS BY THIRD PARTIES, OR OTHERWISE.

To obtain service under warranty you must call customer support. Customers with warranty claims issues may access the SEITBIPL worldwide customer support network through the SEITBIPL Web site: support.apc.com. Select your country from the country selection drop down menu. Open the Support tab at the top of the web page to obtain information for customer support in your region. Refer to the product user manual for more information on how to contact customer support.

APC by Schneider Electric Customer Support India

| | |
|------------------|---|
| Internet | http://www.apc.com/support |
| Toll Free | 1 800 425 4272 |
| E-mail | indiainfo@apc.com |

