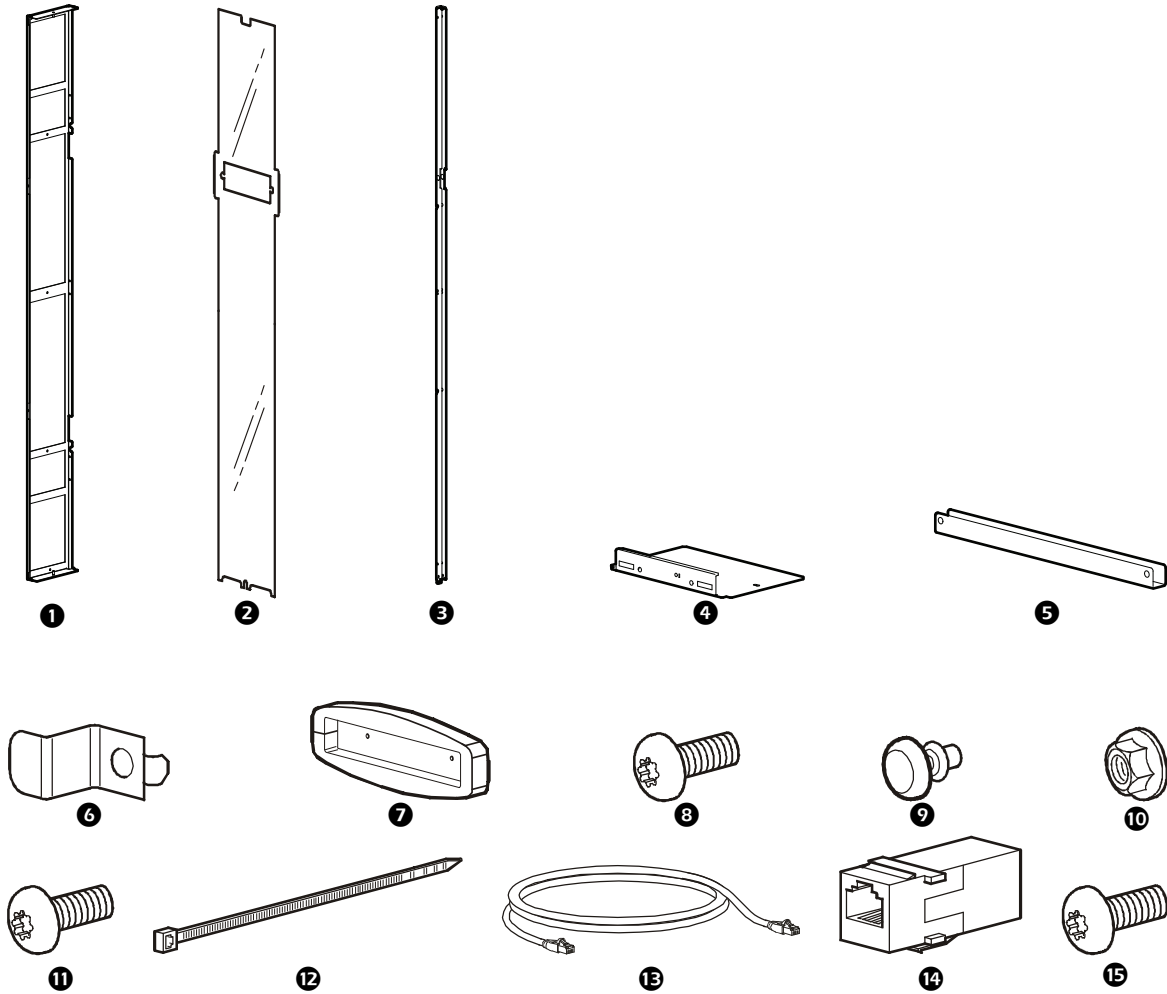
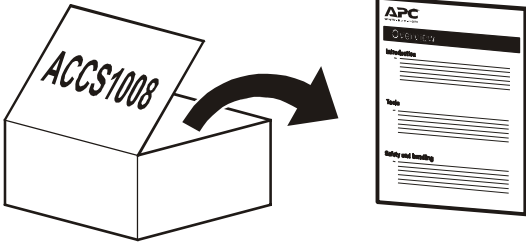


## Rack Air Containment Front Assembly for InRow RA (ACCS1008)—Installation



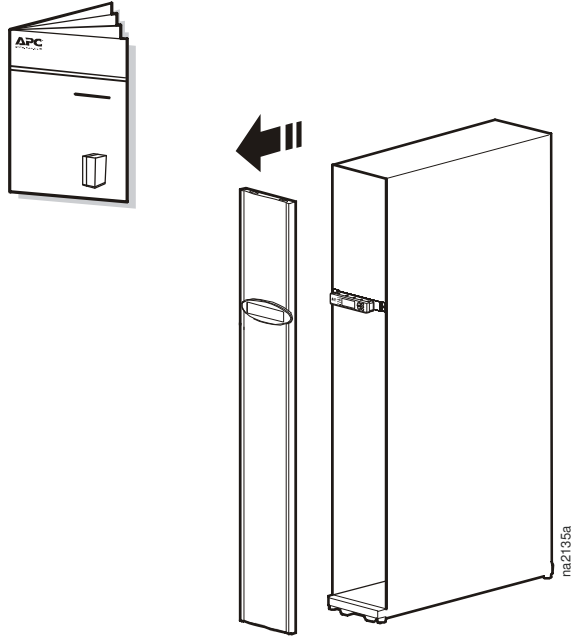
Item	Description	Quantity	Item	Description	Quantity
1	Side plenums	2	9	6-mm snap rivets	6
2	Front insert	1	10	M6 flanged hex nuts	4
3	Side retainer inserts	2	11	M6 × 12-mm pan-head screws	4
4	Top/bottom plenums	2	12	Wire tie	3
5	Bottom retainer insert	1	13	Display interface cable	1
6	Catch door plenum	1	14	RJ-45 connector	1
7	Display air block	1	15	Display mounting hardware (included with unit)	2
8	M5 × 12-mm pan head screws	10			

1

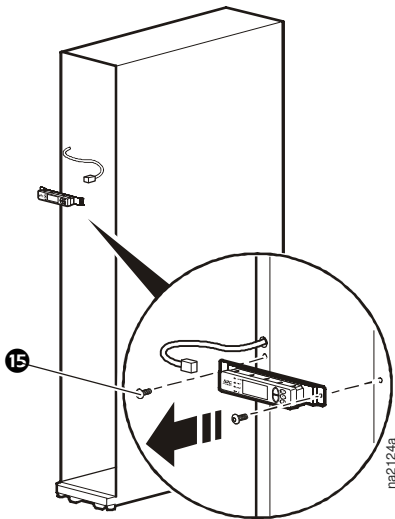


gen0731c

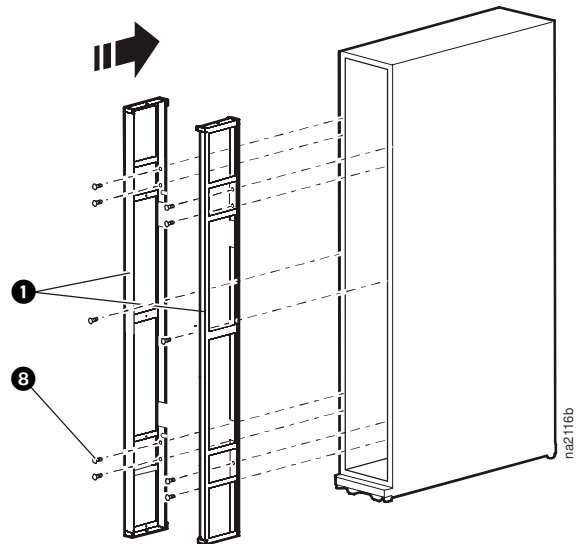
2



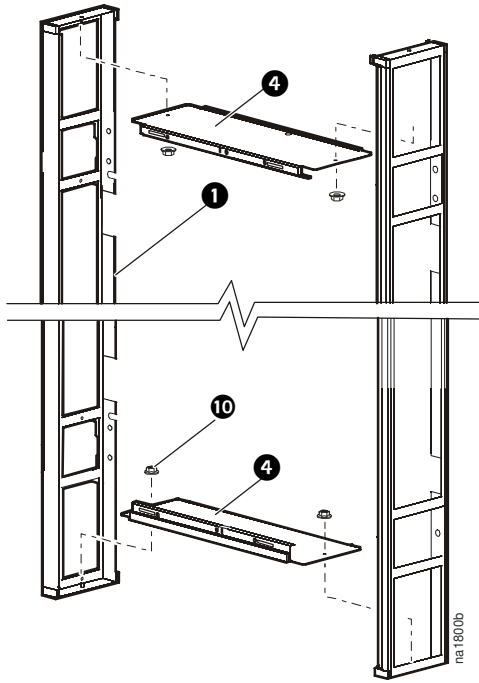
3



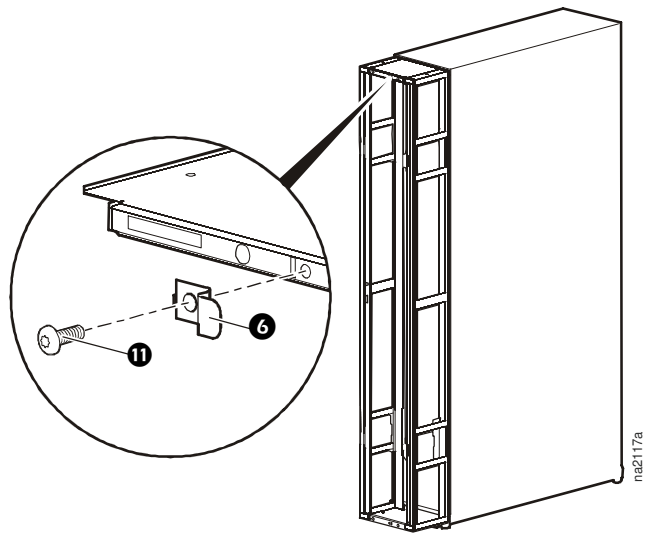
4



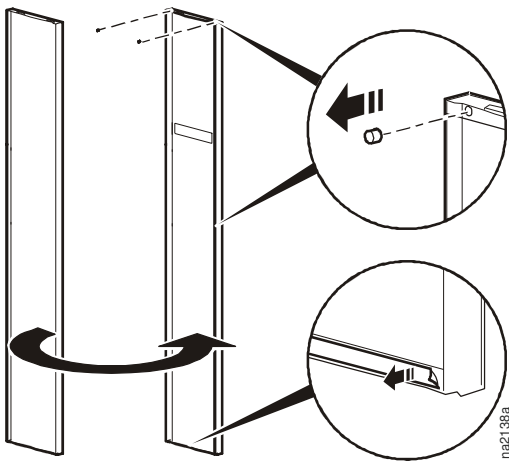
5



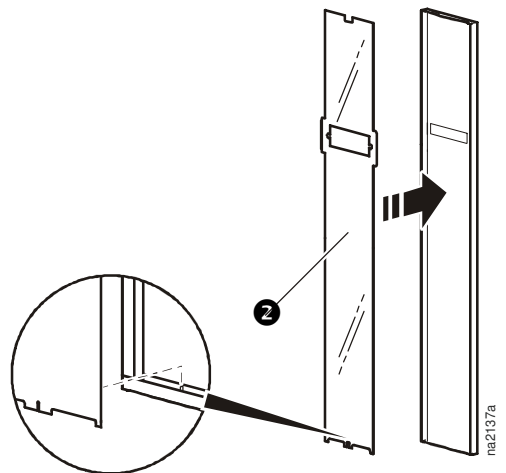
6



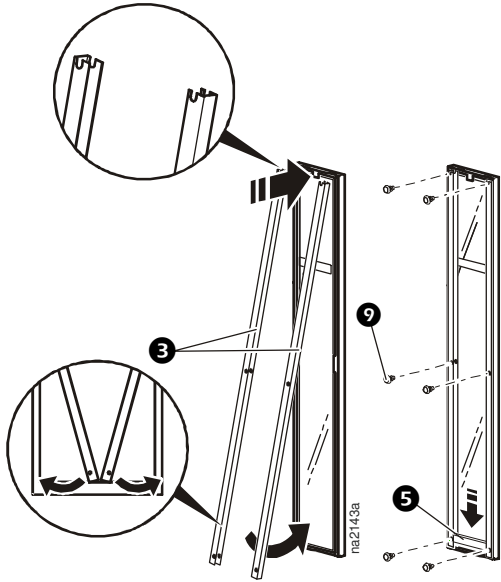
7



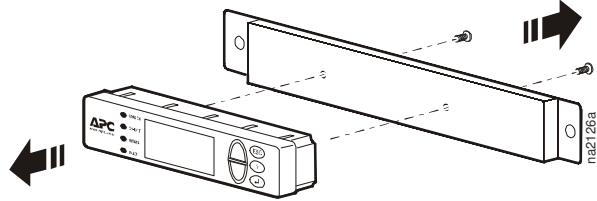
8



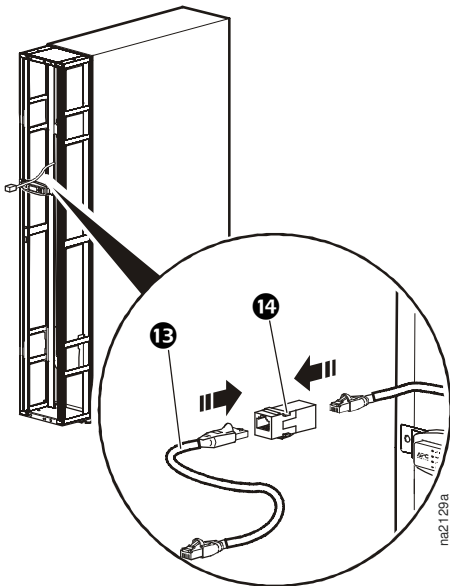
9



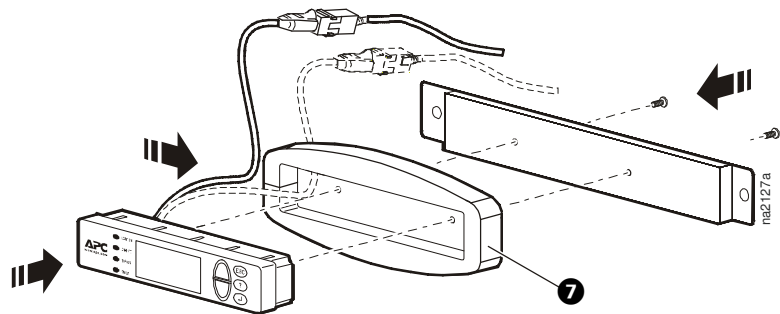
10



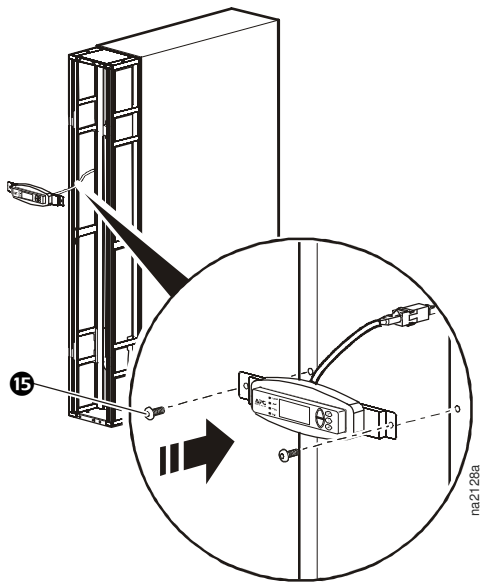
11



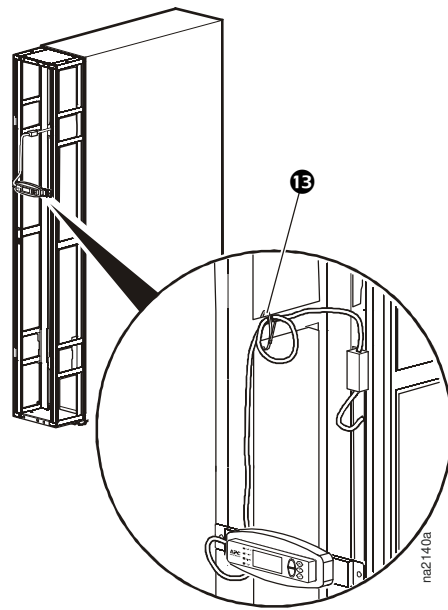
12



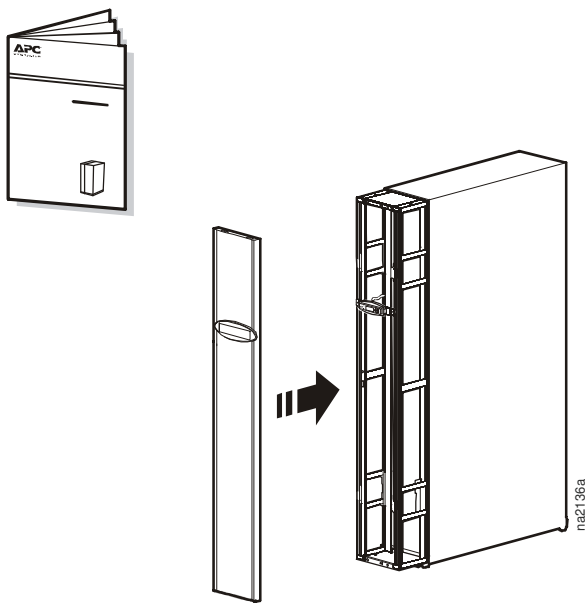
13



14



15







Customer support and warranty information is available at the APC Web site, [www.apc.com](http://www.apc.com).

© 2011 APC by Schneider Electric. APC and the APC logo are owned by Schneider Electric Industries S.A.S., American Power Conversion Corporation, or their affiliated companies. All other trademarks are property of their respective owners.

**990-3944-001**  
**4/2011**