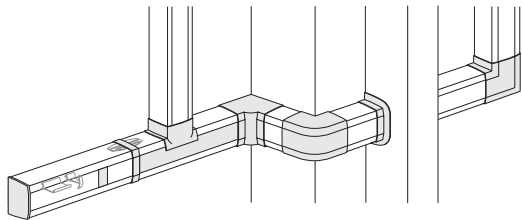


# OptiLine 50

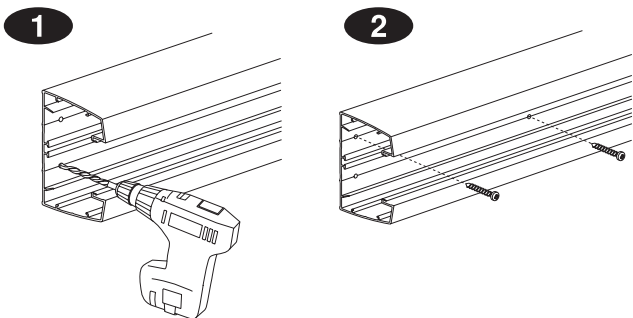


## Aluminium trunking – Installationskanal aus Aluminium – Goulotte en aluminium – Canale alluminio – 80 & 100

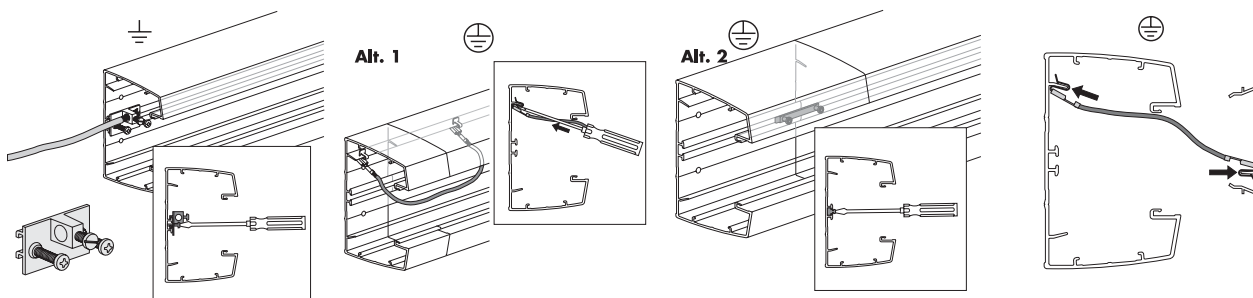
INS13100  
INS13150  
INS13200  
INS13250



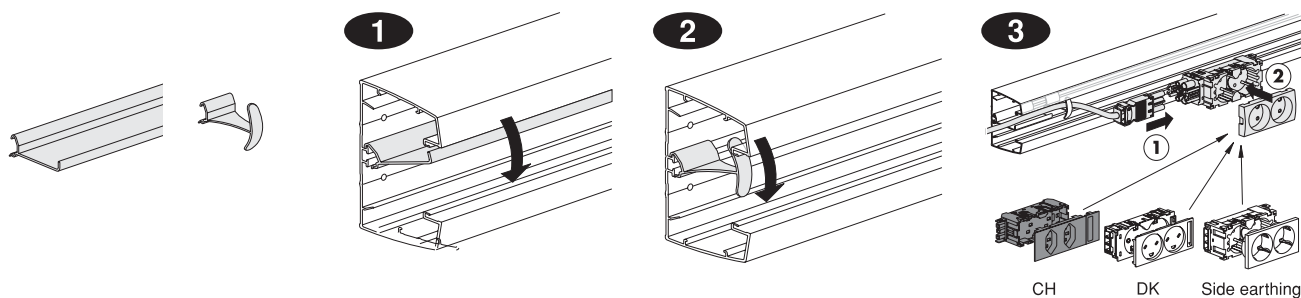
### Installation – Montage – Montage – Montaggio



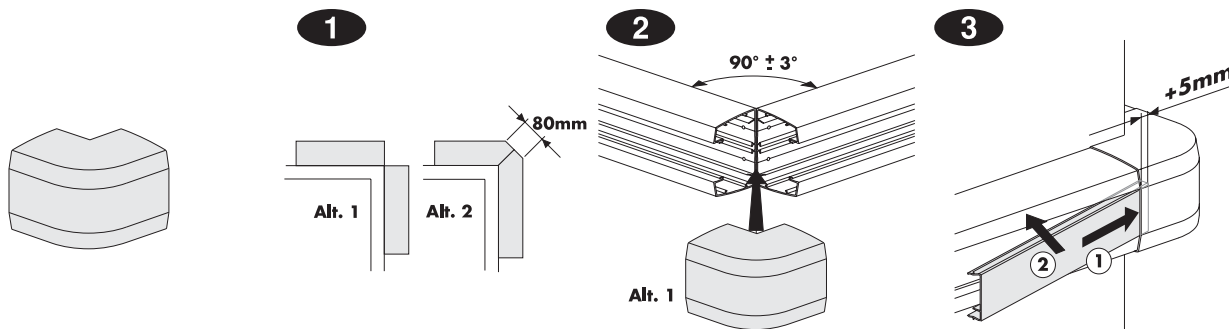
### Earthing system – Erdungssystem – Système de mise à terre – Sistema di messa a terra



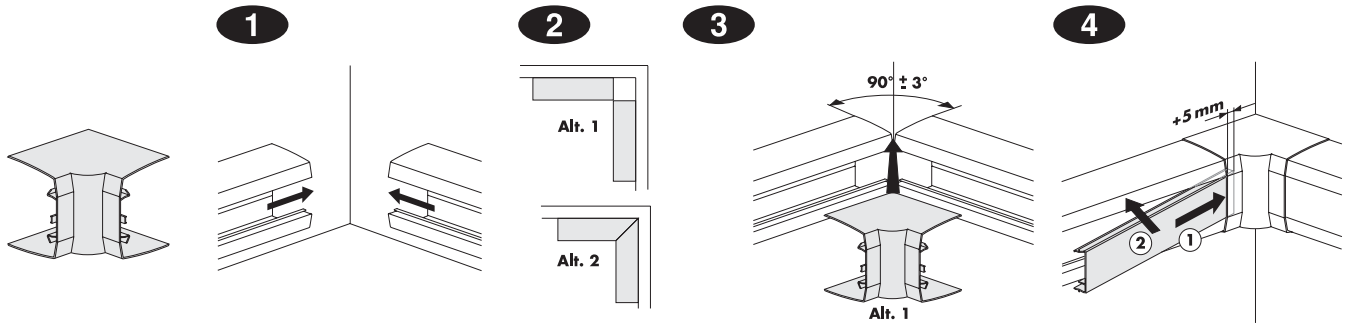
### Installation of cable shelf/cable retainer – Installation Trennschiene – Installation cloison de séparation – Installazione separatore cavi



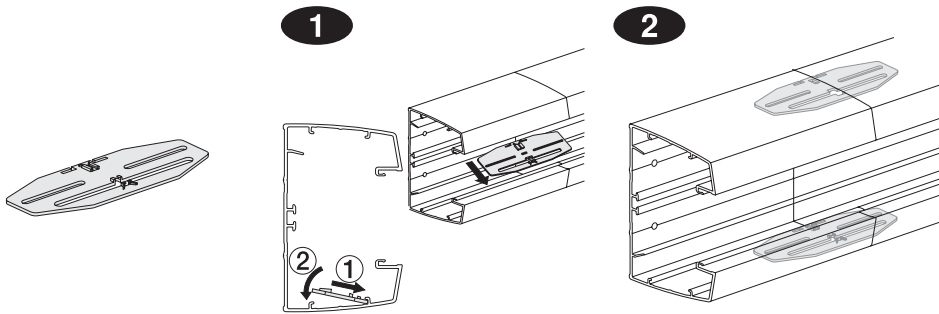
### Installation of external corner – Installation Außeneck – Installation angle extérieur – Installazione angolo esterno



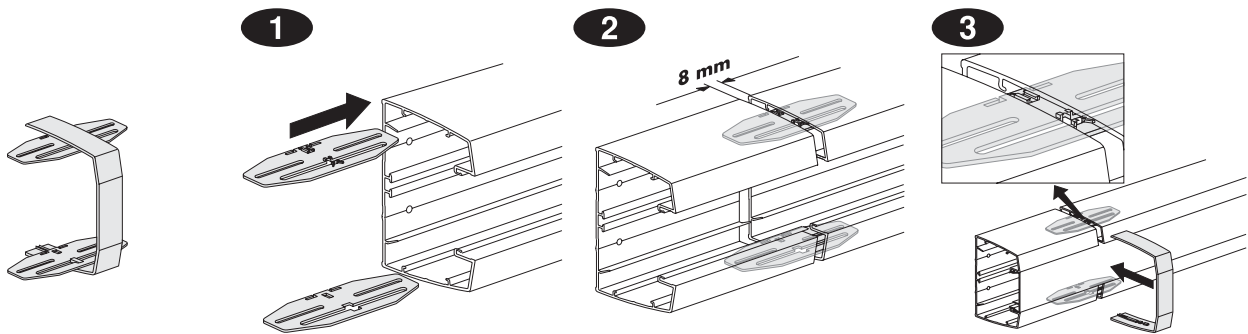
**Installation of internal corner – Installation Inneneck – Installation angle intérieur – Installazione angolo interno**



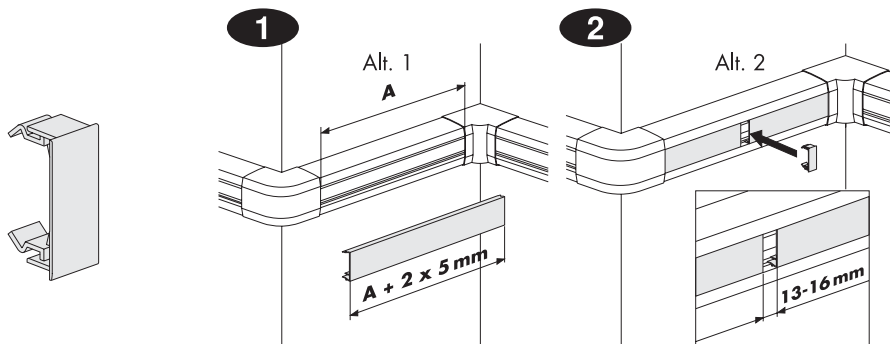
**Installation of jointing piece – Installation Profilverbinder – Installation raccordement – Installazione giunzione**



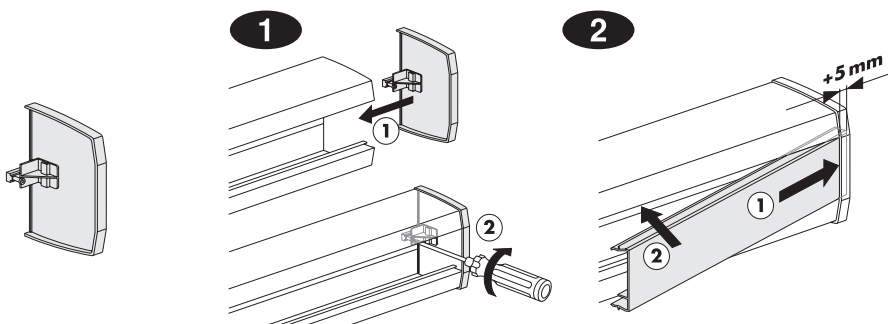
**Installation of joint cover-piece kit – Installation Ausgleichstück (Kit) – Installation cache joint de fond – Installation coprigiunto**



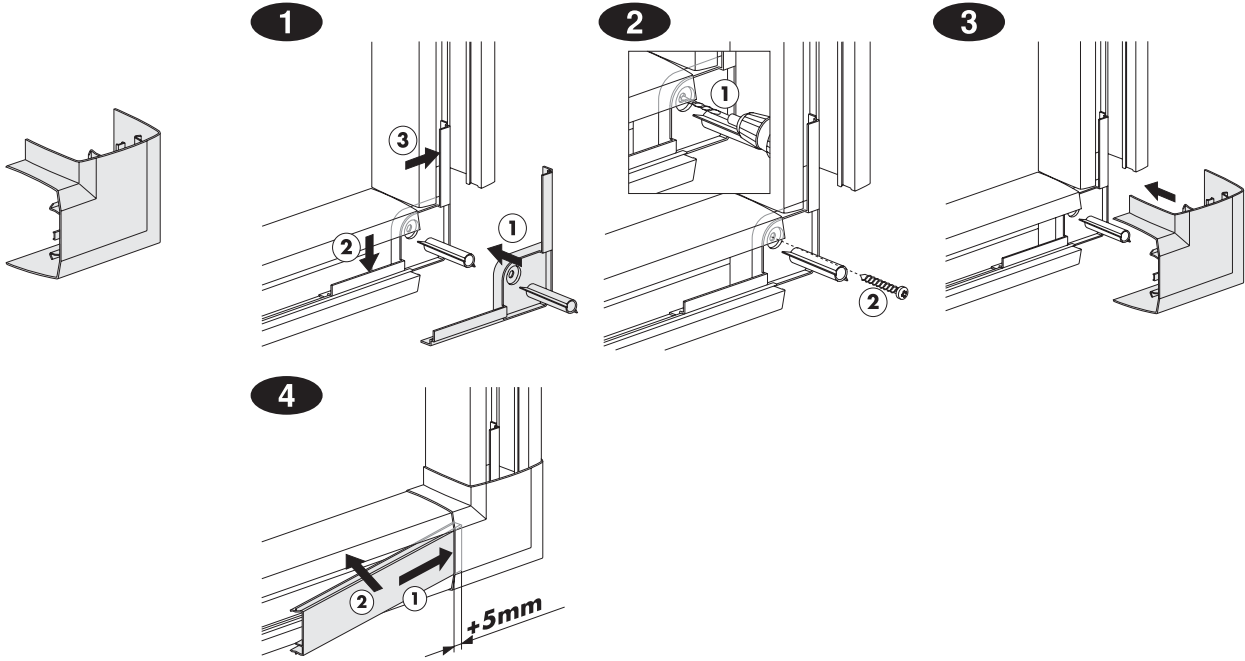
**Installation of joint cover piece for front cover – Installation Ausgleichstück für Frontabdeckung – Installation cache joint de fond pour couvercle – Installazione coprigiunto per coperchio**



**Installation of stop end – Installation Endstück – Installation embout – Installazione terminale di chiusura**

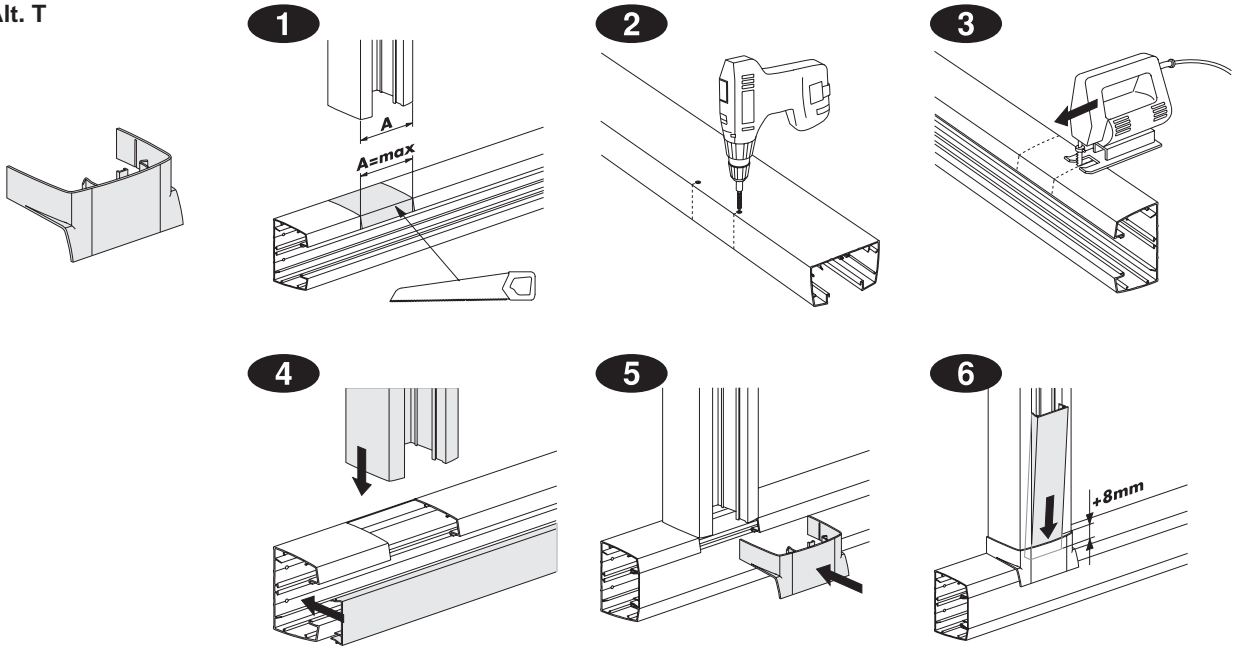


Installation of bend kit, 90° – Installation Flachwinkel – Installation angle 90° – Installazione angolo 90°

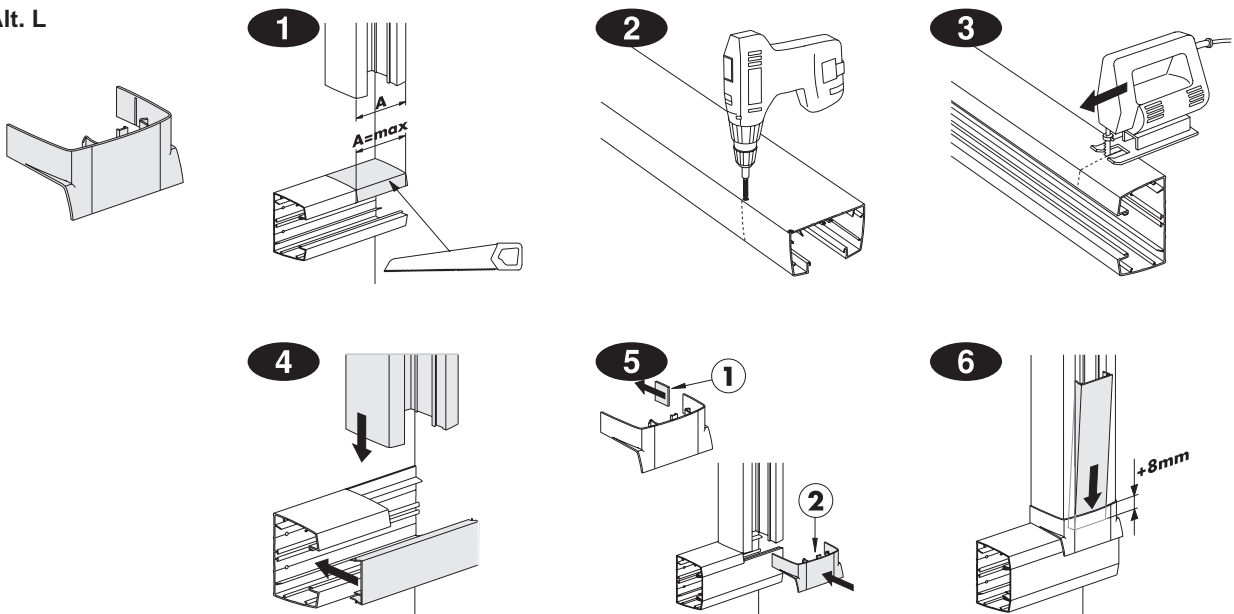


Installation of T/L-piece – Installation T/L-Stück – Installation raccordement en T/L – Installazione raccordo a T/L

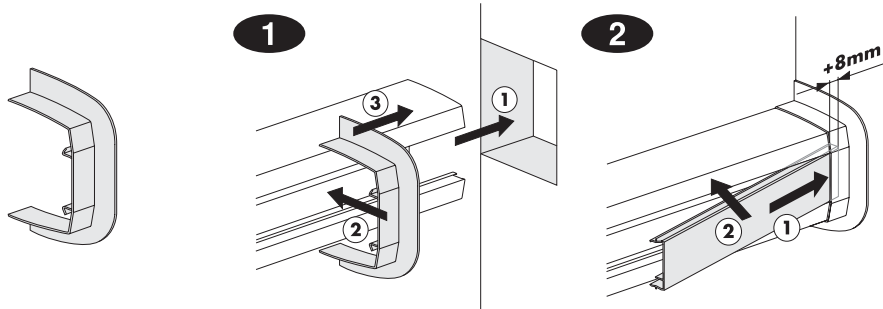
Alt. T



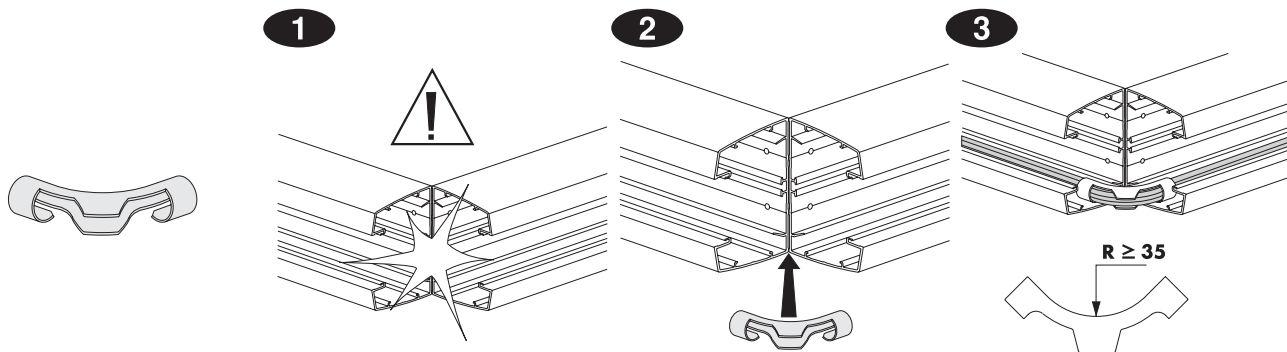
Alt. L



Installation of wall/ceiling frame – Installation Wandrahmen – Installation cache parois – Installazione cornice per parete



Installation of cable bending protection – Installation Kabelknickschutz – Installation limitation de pliage – Installazione limitazione piega



Dismounting – Demontage – Demontage – Smontaggio

