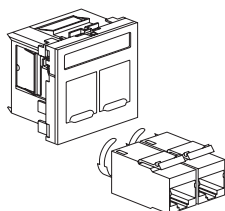


# OptiLine 50

2 x AMP 110 Keystone



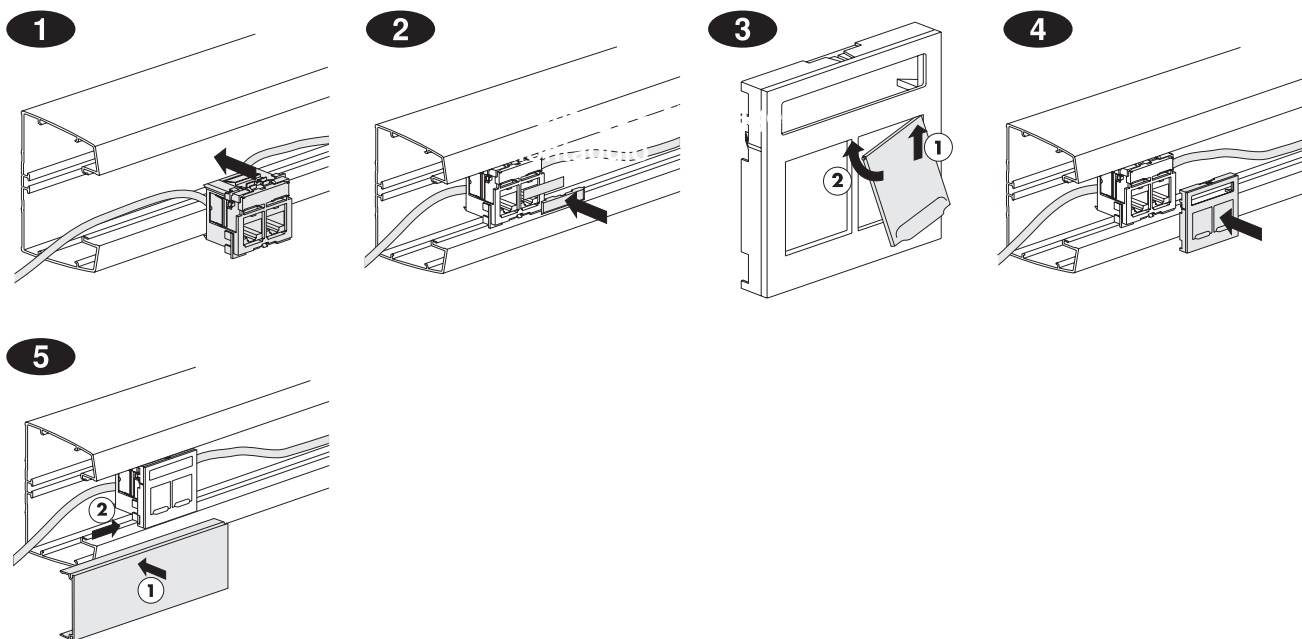
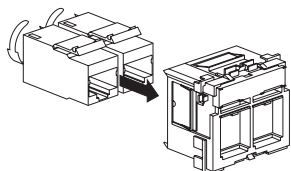
## Basic kit – Haube – Capot – Presa

INS64114  
INS64115



### Installation – Montage – Montage – Montaggio

2 x AMP 110 Keystone



### Dismounting – Demontage – Demontage – Smontaggio

2 x AMP 110 Keystone

