



Model 241

Safety Information

Important Information

Read these instructions carefully and look at the equipment to become familiar with the device before trying to install, operate, service or maintain it. The following special messages may appear throughout this bulletin or on the equipment to warn of potential hazards or to call attention to information that clarifies or simplifies a procedure.



The addition of either symbol to a “Danger” or “Warning” safety label indicates that an electrical hazard exists which will result in personal injury if the instructions are not followed.



This is the safety alert symbol. It is used to alert you to potential personal injury hazards. Obey all safety messages that follow this symbol to avoid possible injury or death.

DANGER

DANGER indicates a hazardous situation which, if not avoided, **will result in** death or serious injury.

WARNING

WARNING indicates a hazardous situation which, if not avoided, **could result in** death or serious injury.

CAUTION

CAUTION indicates a hazardous situation which, if not avoided, **could result in** minor or moderate injury.

NOTICE

NOTICE is used to address practices not related to physical injury. The safety alert symbol shall not be used with this signal word.

Please Note

Electrical equipment should be installed, operated, serviced, and maintained only by qualified personnel. No responsibility is assumed by ASCO Power Technologies for any consequences arising out of the use of this material.

A qualified person is one who has skills and knowledge related to the construction, installation, and operation of electrical equipment and has received safety training to recognize and avoid the hazards involved.

Introduction

ASCO Model 241 is a plug-in surge protector for single phase UPS products and other sensitive electronics. It is a power conditioning solution that defends the connected equipment against power surges and transients.

DANGER

HAZARD OF ELECTRIC SHOCK, EXPLOSION, OR ARC FLASH

- Apply appropriate personal protective equipment (PPE) and follow safe electrical work practices. See NFPA 70E, NOM-029-STPS or CSA Z462.
- This equipment must only be installed and serviced by qualified electrical personnel.
- Turn off all power supplying this equipment before working on or inside equipment.
- Always use a properly rated voltage sensing device to confirm power is off.
- Replace all devices, doors and covers before turning on power to this equipment.
- This equipment must be effectively grounded per all applicable codes. Use an equipment-grounding conductor to connect this equipment to the power system ground.
- Confirm that the Surge Protective Device voltage rating on the module or nameplate label is not less than the operating voltage.
- Do not exceed 13 Amps continuous current.

Failure to follow these instructions will result in death or serious injury.



WARNING: This product can expose you to chemicals including DINP, which is known to the State of California to cause cancer, and DIDP which is known to the State of California to cause birth defects or other reproductive harm. For more information go to: www.P65Warnings.ca.gov.

NOTICE

LOSS OF SURGE SUPPRESSION

- Make certain that Surge Protective Device is disconnected from the circuit it is protecting before conducting high potential insulation testing.

Failure to follow these instructions can result in equipment damage.

Installation

1. This device is designed to be installed in series with an IEC C13/C14 connection.
2. Do not exceed 13 Amps continuous current.
3. Plug output of SPD into equipment to be protected.
4. Plug input into source voltage.
5. If the green LED is out, the unit is not running properly.

General Technical Specification

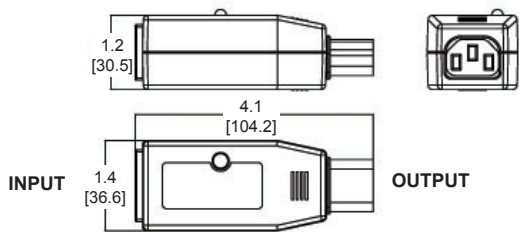
Operating Voltage	120-240 VAC
Maximum Continuous Operating Voltage	320 VAC
Operating Current	13 A
Peak Surge Current	10kA (8x20µs)
Frequency Range	47–63 Hz
Connection Type	IEC C13/C14 connectors
Phase Configuration	2 Wire + Gnd
Operating Humidity	0% to 95%
Status Indication	Green LED
Modes of Protection	L-N, N-G
Response Time	<.5 ns Normal Mode
Dimensions (in / mm)	1.2 x 1.4 x 4.1 in. [30.5 x 36.6 x 104.2 mm.]
Weight (lb / kg)	241120NF013ARCNO - 0.16 lbs [0.07 kg] 241120NF013ALCNO - 0.26 lbs [0.12 kg]
Limited warranty	5 years
Certifications	CE

Model Cross-Reference

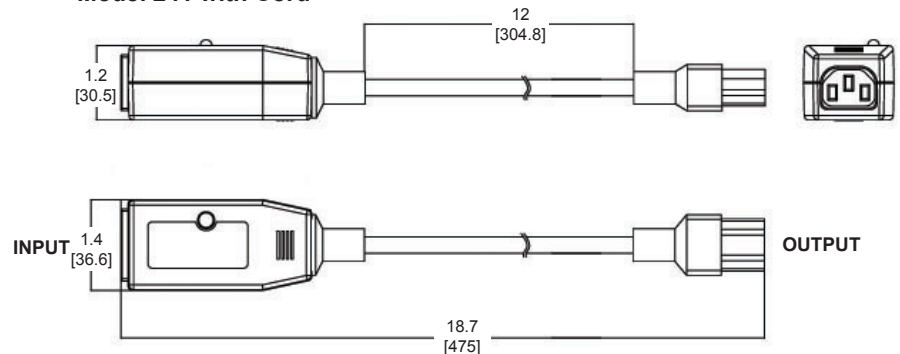
MODEL <i>Former Model Name</i>	APPLICATION
241120NF013ARCNO <i>PowerSure ACTVSS</i>	120-240VAC, 13A
241120NF013ALCNO <i>PowerSure ACTVSS-P</i>	120-240VAC, 13A 12" Cord

Dimensions (in. / mm.)

Model 241



Model 241 with Cord



ASCO Power Technologies™

14550 58th Street North
Clearwater, Florida 33760
P (800) 237-4567
P (727) 535-6339
F (727) 539-8955
E customercare@ascopower.com

While every precaution has been taken to ensure accuracy and completeness in this literature, ASCO assumes no responsibility, and disclaims all liability for damages resulting from use of this information or for any errors or omissions.