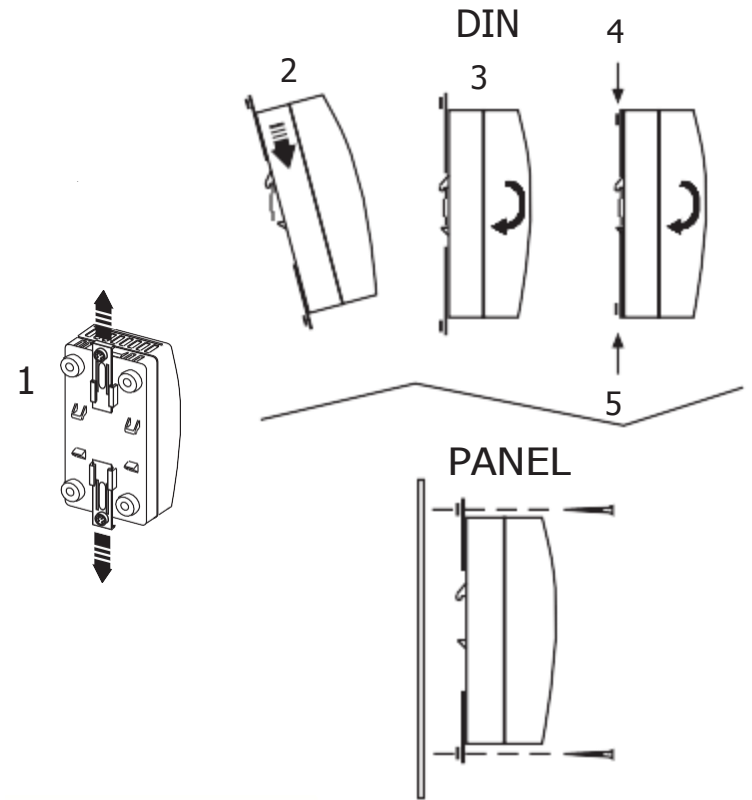


Mechanical



Schneider Electric Andover Continuum I/O Installation
 30-3001-716 Rev H.1

Wiring Rule

These modules are intended for installation within the UL Listed enclosure model UL-ENCL for UL 294 and UL 1076.

Do not remotely ground any part of the input sensor wiring.

Remote grounds connected to the return terminal could make the system operate incorrectly or damage the equipment.

The signal return is not true earth ground. It is an electronic reference point necessary to interpret the sensor properly.

For reliable operation, follow these wiring guidelines:

- Never lay wires across the surface of a printed circuit board.
- Wires should never be within 1 in. or 25 mm of any component on a printed circuit board.
- Use shielded wire.
- Terminate the shield of the wires at one end of the run only-preferably at the end where your I/O module is located.
- Be careful when stripping wire not to drop small pieces of wire inside the cabinet.
- Don't run your wiring in the same conduit with AC power.
- Don't run your input wiring in the same conduit with your output wiring.

Grounding the Modules

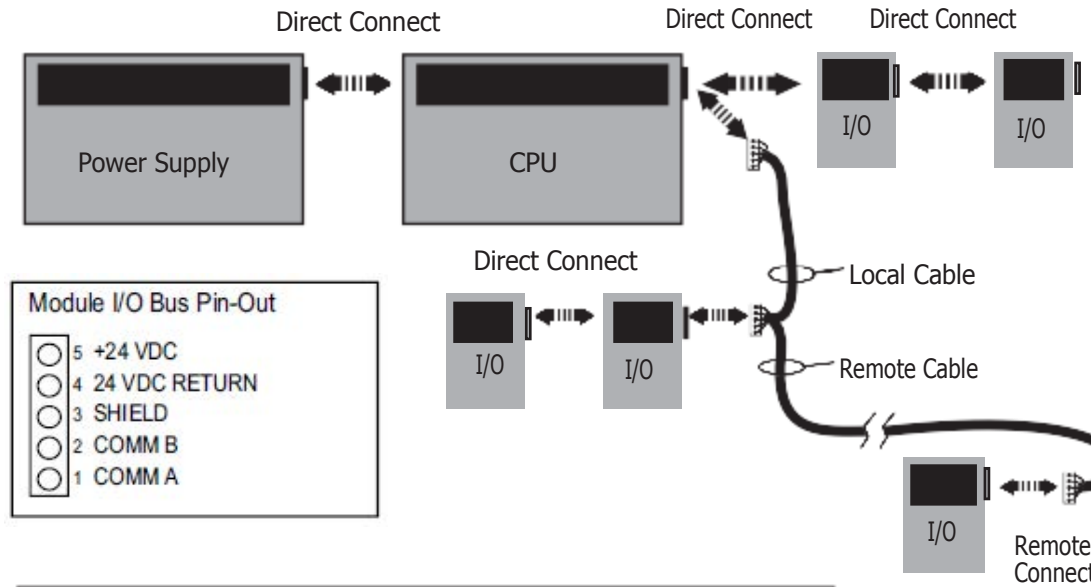
Some modules include an integral ground clip. **All modules include a screw terminal connection for earth ground. It is important that this connection be made as close to the module as possible.**

Caution

Do not externally ground any input signal. This may damage the unit. Signal return terminals are not connected to earth ground.

I/O Bus

I/O Modules connect in the following configurations:



Max. Number of I/O Modules
 Number of modules is limited to 32 per CPU but may be reduced due to the capacity of the Power Supply**

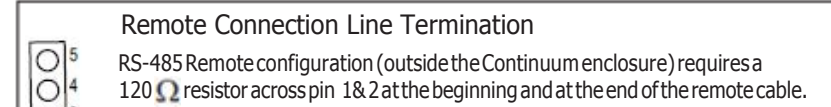
Power Supply	Power Avail.
PS 120/240 AC 50-U	35 W
PS 120/240 AC 50	50 W
PS 120/240 AC 85-U ¹	70 W
PS 120/240 AC 85	85 W
PS -48 DC 50	50 W

Module	Power Req.
CX 9680 (-S)	10 W
UI-8-10 (-S) & UI-8-10-10V (-S)	0.7 W
DI-6AC & DI-6ACHV	0.7 W
DI-8 (-S); Digital Input Module	0.8 W
MI-6; MilliAmp Input Module	3.8 W
DM-20 (-S)	0.5 W*
AO-4-8 & AO-4-8-O	3.8 W
DO-4-R (-S) & DO-4-R-O (-S)	2.8 W
DO-6-TR	1.1 W
LO-2 & LO-2-O	0.4 W
VT-1	1.5 W
AC-1	2.6 W*
AC-1A	2.0 W*
AC-1 Plus	2.2 W*

¹ The PS 20/240 AC 85-U model is only to be used for UL 294 applications.

* Wattage does not include external devices

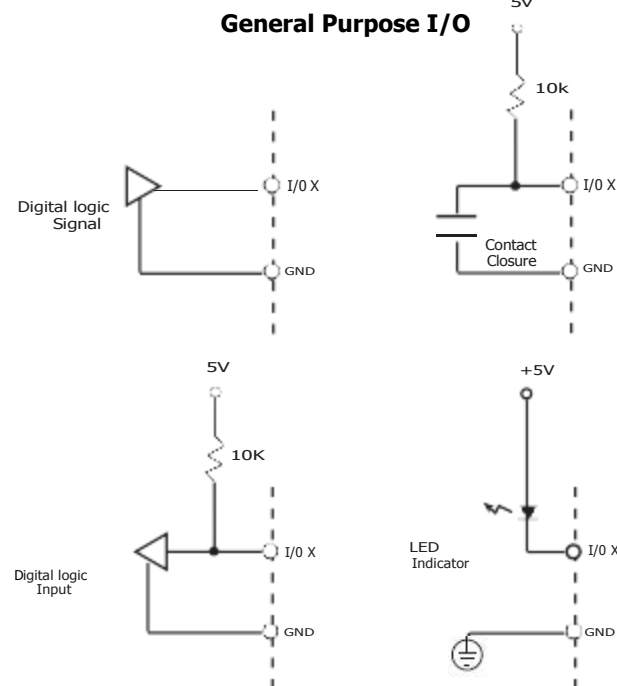
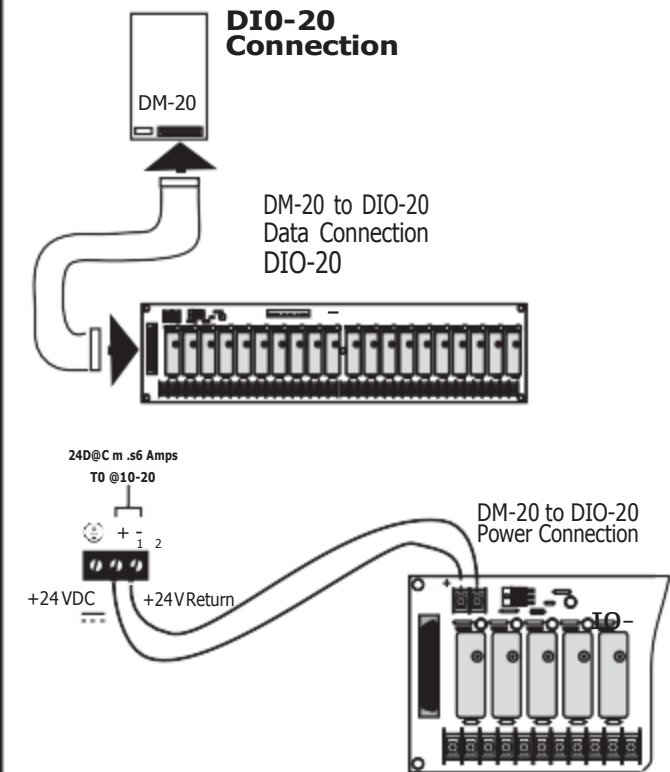
** 32 modules may require an auxiliary power source.



Local & Remote Cable Information	Max. Cable Lengths	Connectors
Technical Specifications COMM A&B Lines: Shielded, Twisted Pair Impedance= 100-120 Ω Low Capacitance Remote hookups require Listed UL 294 UL 1076 power limited power supply. Calculate for maximum voltage drop of 2 VDC	RS-485 2000 ft. (6 0 m) FTT- 10A 8858 ft. (2700 m) bus topology 640 ft. (500 m) free topology	Cable Connector: ACC #01-0010-840 (20 pcs.)

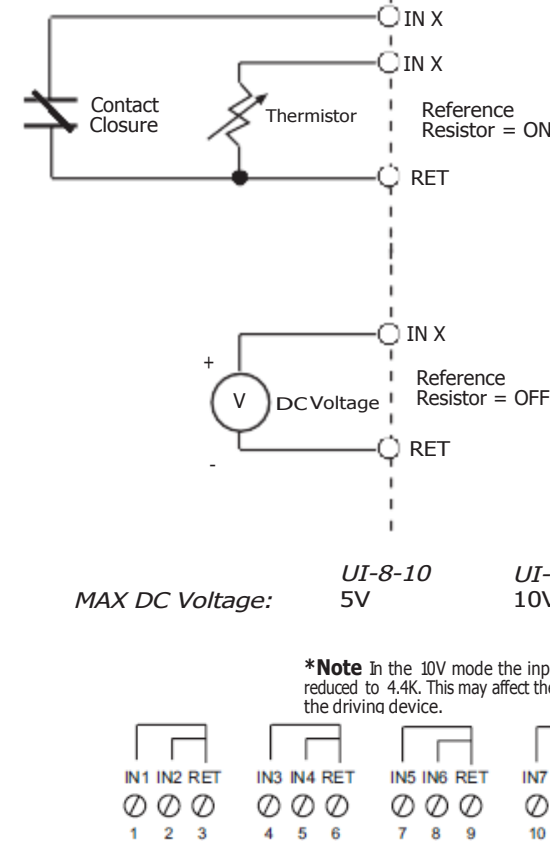
DM-20 (-S)

Digital Input/Output Module

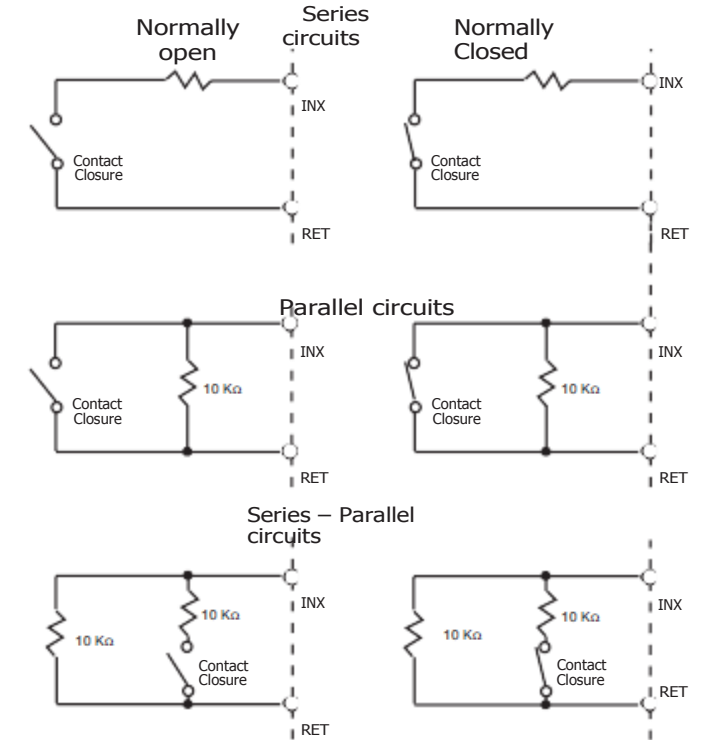


UI-8-10 (-S) / UI-8-10-10V (-S)

Universal Input Module

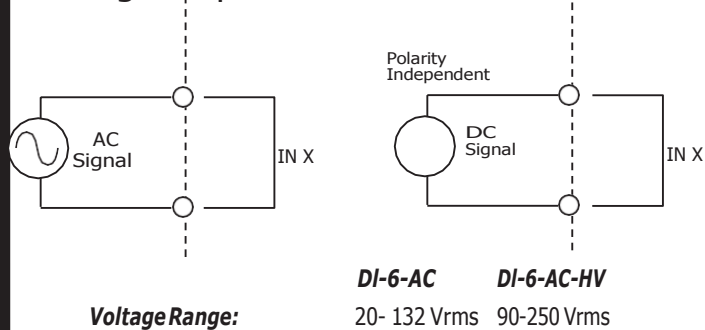


Supervised circuit Reference Resistor = ON

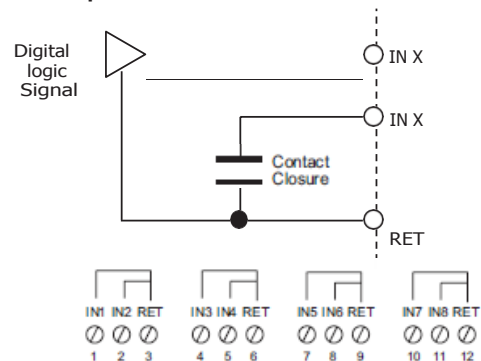


Caution: Earth ground (⊕) must be connected to avoid module damage

DI-6 A / DI-6-A -HV AC Digital Input Module



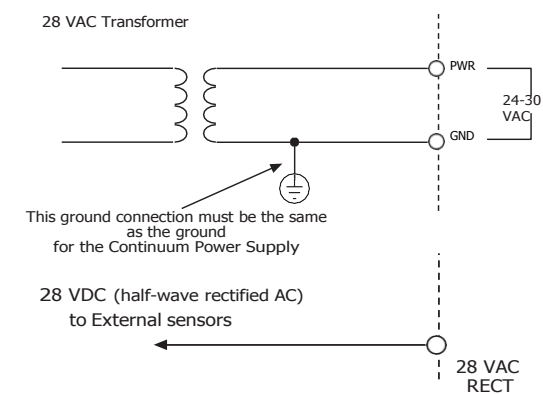
DI-8 (-S) Digital Input Module



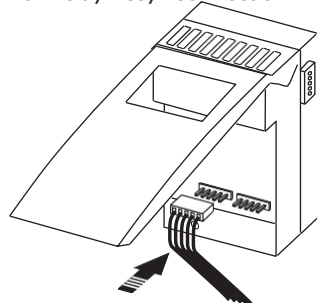
LO-2/LO-2-0

Lightning Output Module

Module External Power Connection



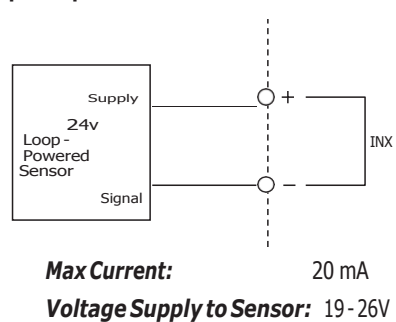
External Relay Assy. Connection



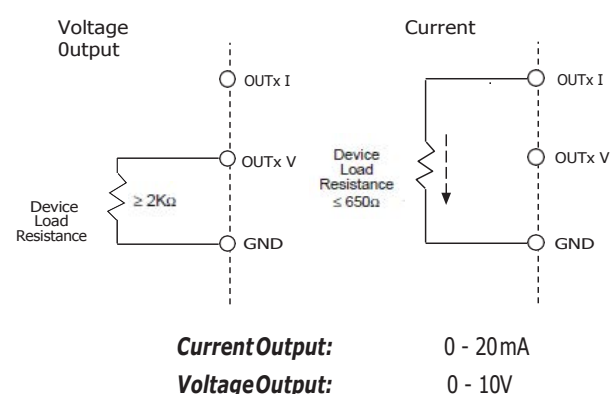
Output Rating:

- Lamp Load - 20 Amp Tungsten Filament @ 25 VAC
- Resistive Load - 20 Amp Ballast @ 277 VAC (20 amp @ 347 VAC, Canada)
- Motor Load - 0.5 Hp @ 0- 25 VAC
- 0.5 HP @ 220-277 VAC (0.5 Hp @ 347 VAC, Canada)

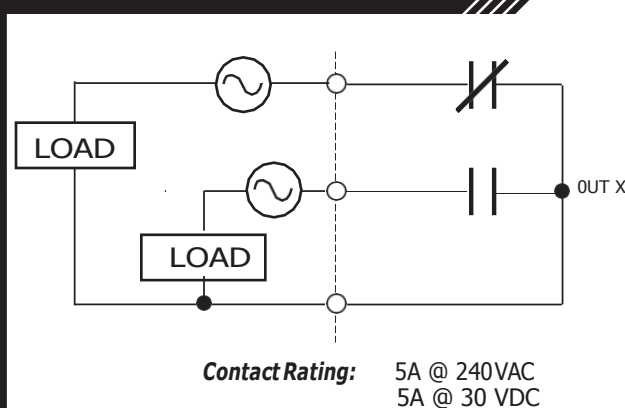
MI-6 MilliAmp Input Module



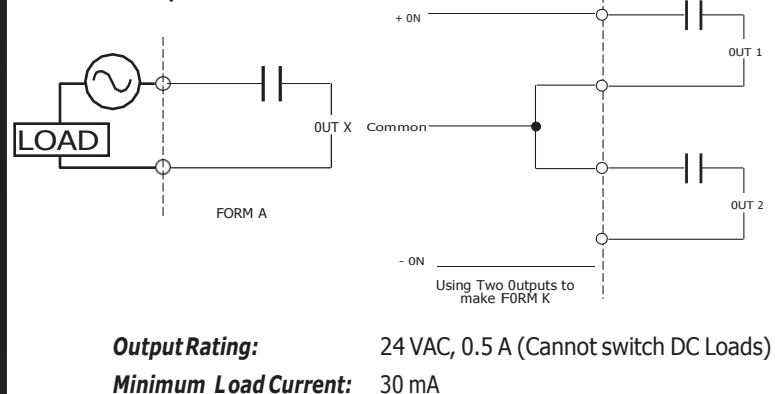
A0-4-8 / A0-4-8-0 Analog Output Module



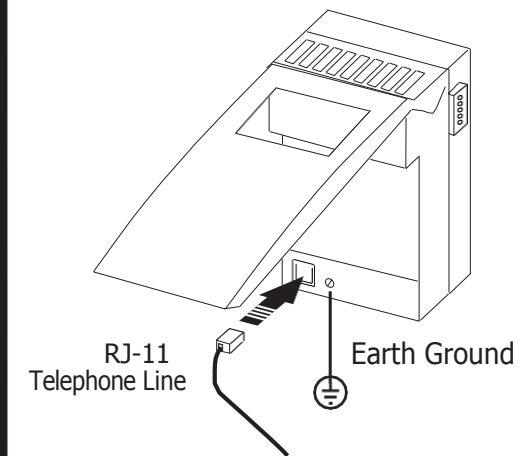
D0-4-R (-S) / D0-4-R-0 (-S)



D0-6-TR Triac Output Module



VT-1 Voice Telecom Module



Warning: This product can expose you to chemicals including lead which is known to the state of California to cause cancer and which is known to the state of California to cause birth defects or other reproductive harm. For more information, go to www.P65Warnings.ca.gov

For more information on these Andover Continuum products, see the *Systems Reference*, 30-3001-499, and the *Power Supply Reference*, 30-3001-702. For documentation specific to Underwriters Laboratories (UL) evaluation, see the Note below.

UL 91 6 Listed product for the United States and Canada, Open Energy Management Equipment.

UL 294 (Access Control System Unit Subassemblies for the United States) and UL 1076 (Proprietary Burglar Alarm System Unit Subassemblies for the United States) and C22.2 No. 205-MI983 (Signal Equipment for Canada)

Notes:
(1) Refer to the UL Listed Access Control/Proprietary Burglar Alarm System's installation manual (the *UL 294 Access Control* and *UL 1076 Proprietary Burglar Alarm Systems Reference*, 30-3001-504) for specific wiring, operation, and compatibility information. (2) Only these products mentioned in this document are evaluated by UL for UL 294 and UL 1076 applications:

- UI-8-10
- UI-8-10-10V
- DI-8 (UL 294 only)
- DM-20 (UL 294 only)

The -S versions of these models as well as the D0-4-R and D0-4-R-0 are also acceptable.

UL 294 7th Edition Compliance

UL 294 Feature	Level
Destructive Attack	I
Line Security	I
Endurance (Access control)	IV
Standby Power	I

