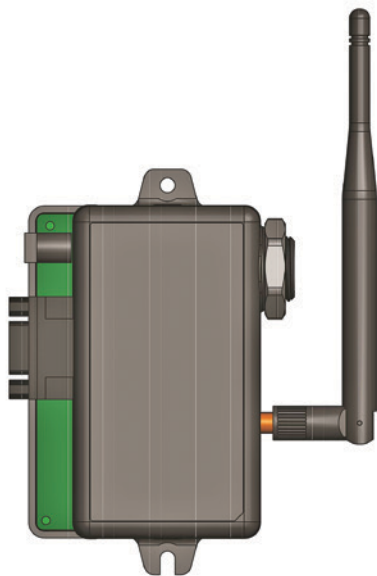


# VWG-EPP-1045 Serial Adapter

## Installation Guide

For SE7000 Wireless ZigBee™  
Communicating Controllers



### CONTENTS

Product Overview	2
Installation	3
Architecture	4
Dimensions	5
Important Notice	6
Disclaimers	7

## PRODUCT OVERVIEW

The VWG-EPP-1045 wireless serial adapter has been specifically designed to be used with the I/A Series iBMS network controller ENC-520 using a null modem adapter and a silver satin patch cable with an included adapter. Connecting wireless ZigBee™ SE7000 controllers to an iBMS network can be simplified by adding a wireless module to existing network controllers creating a more cost-effective solution.

The wireless controllers are targeted to retrofit applications where the addition of communicating field bus wiring within the building space is prohibitive.

This document covers the mounting of the wireless serial adapter.

The following additional documentation is available on:

### [www.Schneider-Electric.com](http://www.Schneider-Electric.com)

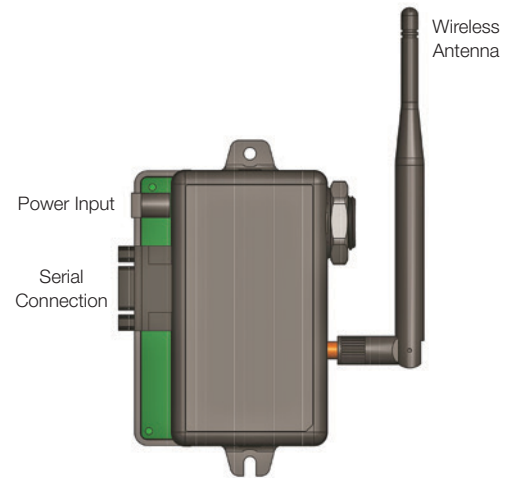
- Wireless integration information.
- Information on design consideration of wireless mesh networks.

Included in this package you should find the following items:

- The wireless serial adapter
- A local antenna
- 12VDC Power adapter

The following is required for installation:

- ENC-520 silver satin patch cable 4, 10 or 25 feet with an included RJ45-to-DB9 adapter
- Null modem adapter
- Software driver



## INSTALLATION

Power to the wireless serial adapter must be OFF when installing or removing the wireless serial adapter, or else damage will occur. Carefully plug the connector properly (pins aligned).

1) Connect the wireless serial adapter assembly:

Use a short null modem adapter, male DB9 to male DB9, to connect to the wireless serial adapter.

The first male DB9 side of the null modem adapter will connect to the wireless serial adapter female DB9 connection.

The second male DB9 side of the null modem adapter will connect to the silver satin cable adapter female DB9 connection.

Connect the silver satin cable first RJ45 end to the silver satin adapter RJ45 connection.

Connect the silver satin cable second RJ45 end to the ENC-520 COM 1 port RJ45 connection.

2) Screw the antenna onto the wireless serial adapter.

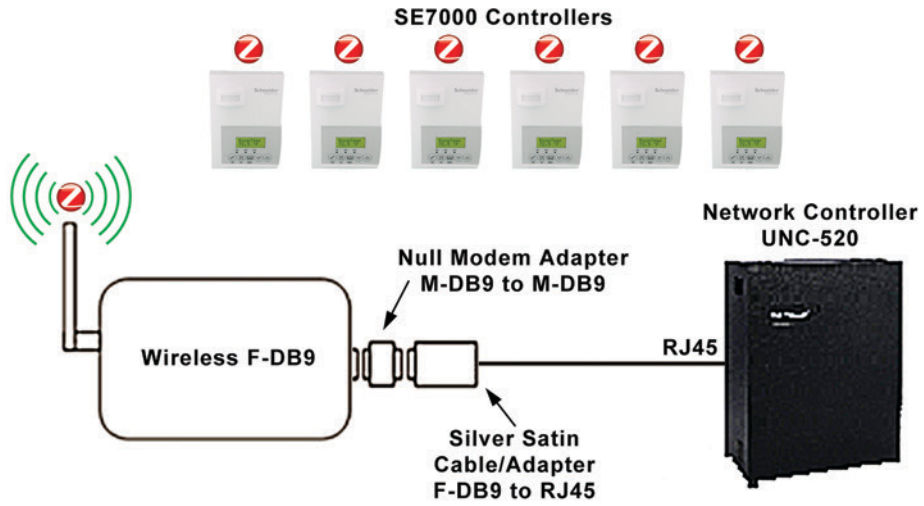
3) Install the software driver on the front end.



### **IMPORTANT: ALL WIRING MUST CONFORM TO LOCAL AND NATIONAL ELECTRICAL CODE REGULATIONS.**

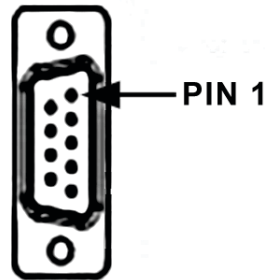
Please read the following instructions carefully before proceeding with the installation. Failure to follow the instructions could damage the product or cause a hazardous condition. Installation must be performed by a qualified service technician or electrician. Disconnect power supply before installing in order to prevent electrical shock.

ARCHITECTURE

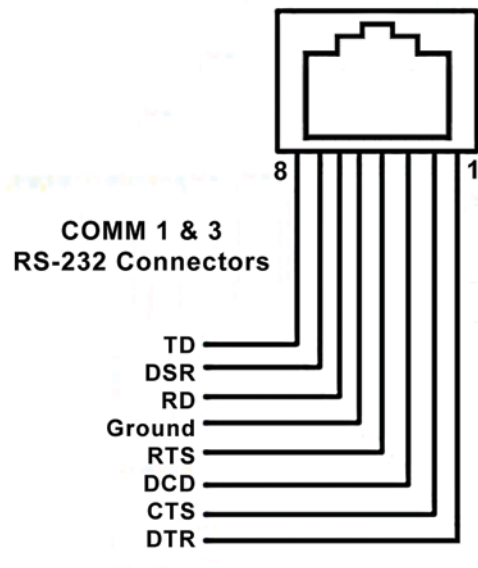


RS-232 Pinouts

PIN	SIGNAL
1	DCD
2	RD
3	TD
4	DTR
5	Signal RTN
6	DSR
7	RTS
8	CTS

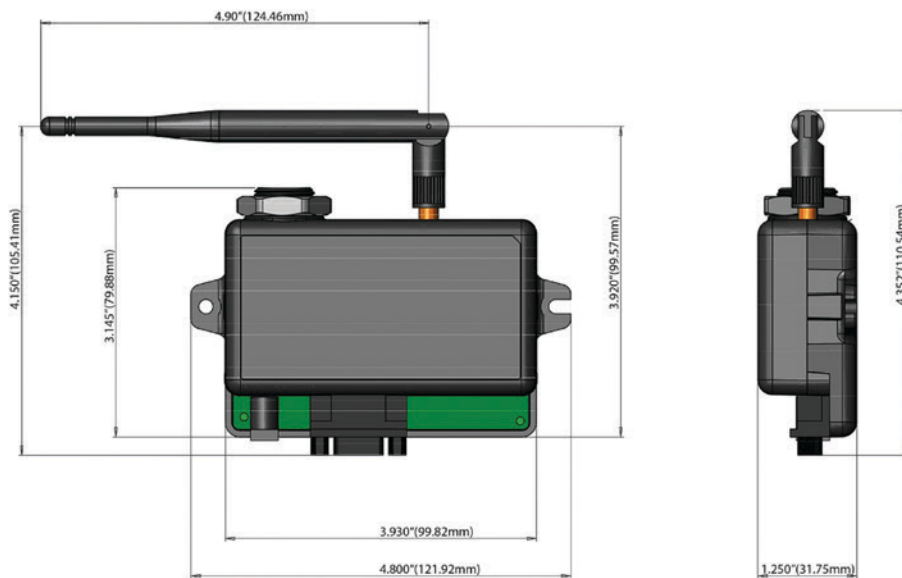


RJ45 Pinouts



For more information on the communicating SE7000 controllers, wireless ZigBee integration and support documentation, please visit [www.schneider-electric.com](http://www.schneider-electric.com).

DIMENSIONS



## IMPORTANT NOTICE



### IMPORTANT: PROPER APPLICATION USE OF PRODUCT

This device is to be used only as an operating control. If it is installed incorrectly the intended application may fail or lead to personal injury or loss of property. It is the responsibility of the end user to ensure that the device has been properly installed and that proper safety precautions have been taken to protect against possible failures. Tampering with the devices or incorrect application of the device will void warranty.



Please check with your local government for instruction on proper disposal of this product.

## DISCLAIMERS

NO WARRANTY. Schneider-Electric, Inc. (herein after referred to as “Schneider-Electric”) makes no warranty as to the accuracy of or use of this technical documentation. Any use of the technical documentation or the information contained therein is solely at the risk of the user.

Documentation may include technical or other inaccuracies or typographical errors. Schneider-Electric reserves the right to make changes to this document without prior notice, and the reader should in all cases consult Schneider-Electric to determine whether any such changes have been made. The information in this publication does not represent a commitment on the part of Schneider-Electric.

Schneider-Electric shall not be liable for incidental or consequential damages resulting from the furnishing, performance, or use of this material.

Electronic controls are static sensitive devices. Discharge yourself properly before manipulation and installing the Schneider-Electric wireless gateway.

Schneider-Electric Inc. may not be held liable for continued reliable or robust operation of any and all wireless based devices. Although Schneider-Electric has taken many precautions in assuring the robustness of the SE7000 series wireless controller product line and associated network access point. Please note; future application of additional wireless devices utilizing the same or similar channels and / or frequencies may degrade performance of overall system and / or reliability.

Non-approved modifications or changes made to the Wireless serial adapter VWG or wireless controllers may void the FCC compliance of the VWG and wireless controllers.

THIS DEVICE COMPLIES WITH PART 15 OF THE FCC RULES. OPERATION IS SUBJECT TO THE FOLLOWING TWO CONDITIONS: (1) THIS DEVICE MAY NOT CAUSE HARMFUL INTERFERENCE, AND (2) THIS DEVICE MUST ACCEPT ANY INTERFERENCE RECEIVED, INCLUDING INTERFERENCE THAT MAY CAUSE UNDESIRE OPERATION.

NOTE: THE MANUFACTURER IS NOT RESPONSIBLE FOR ANY RADIO OR TV INTERFERENCE CAUSED BY UNAUTHORIZED MODIFICATIONS TO THIS EQUIPMENT. SUCH MODIFICATIONS COULD VOID THE USER'S AUTHORITY TO OPERATE THE EQUIPMENT