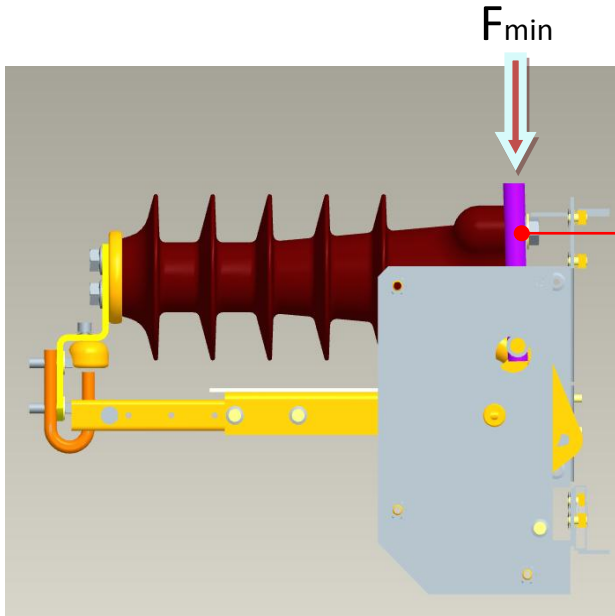


Closing Position



Connection Rod

Minimum force (F min. required) to operate the earthing switch should be applied on connection rod as shown in the figure.

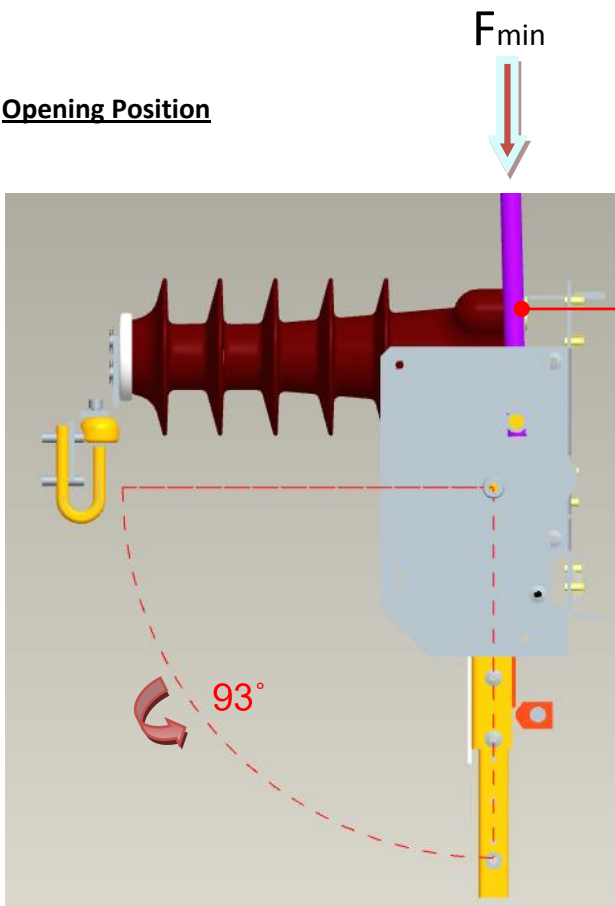
Technical Data Sheet.

F min : 350 daN

F max : 700 daN

Closing Speed : 4.5 - 5.7 m / sn. (where 50 mm before the contacts)

Opening Position



Connection Rod

Technical Data Sheet.

F min : 350 daN

F max : 700 daN



EARTHING SWITCH ASSEMBLY DEFINITION FILE TOPRAKLAMA AYIRICISI MONTAJ TANIM DOKUMANI

Number:

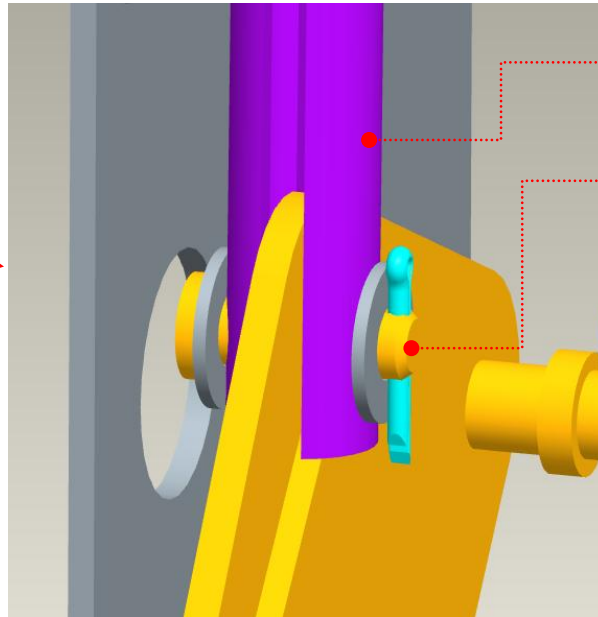
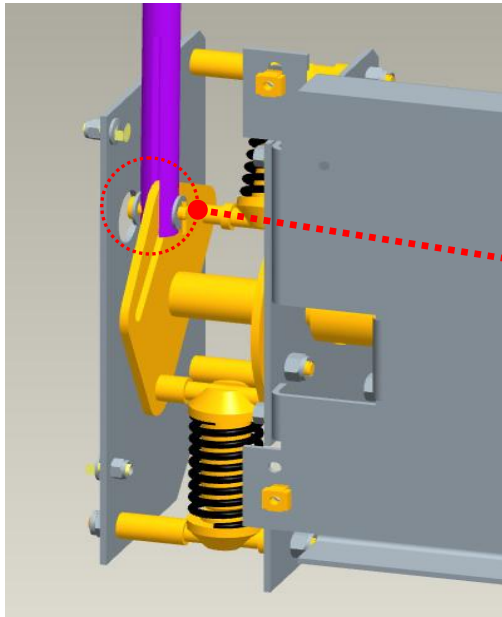
HRB7788100

Revision:

00

Sheet:

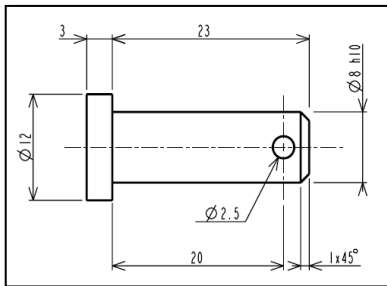
1/2



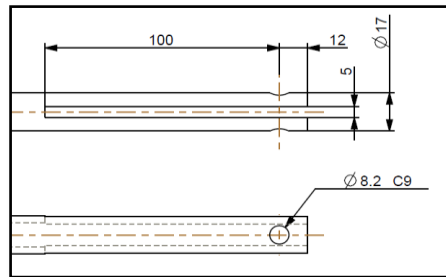
Reference - B -

Reference - A -

The connection between connection rod and earthing switch mechanism plate should be done by using a special pin and split pin as shown in the figure above.

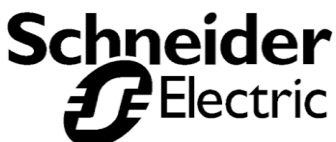


Reference -A -



Reference -B -

Material : Steel seamless pipe / Without welding
 Outside diameter \varnothing 17.0 mm
 Inside diameter \varnothing 11.0 mm
 Treatment : Fe/Zn8(20)/C1



EARTHING SWITCH ASSEMBLY DEFINITION FILE
TOPRAKLAMA AYIRICISI MONTAJ TANIM DOKUMANI

Number:

HRB7788100

Revision:

00

Sheet:

2/2



EARTHING SWITCH ASSEMBLY DEFINITION FILE
TOPRAKLAMA AYIRICISI MONTAJ TANIM DOKUMANI

Number:

HRB7788100

Revision:

00

Sheet:

3/2



EARTHING SWITCH ASSEMBLY DEFINITION FILE
TOPRAKLAMA AYIRICISI MONTAJ TANIM DOKUMANI

Number:

HRB7788100

Revision:

00

Sheet:

4/2