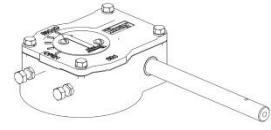
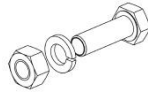


1

Gearbox  
Part No.

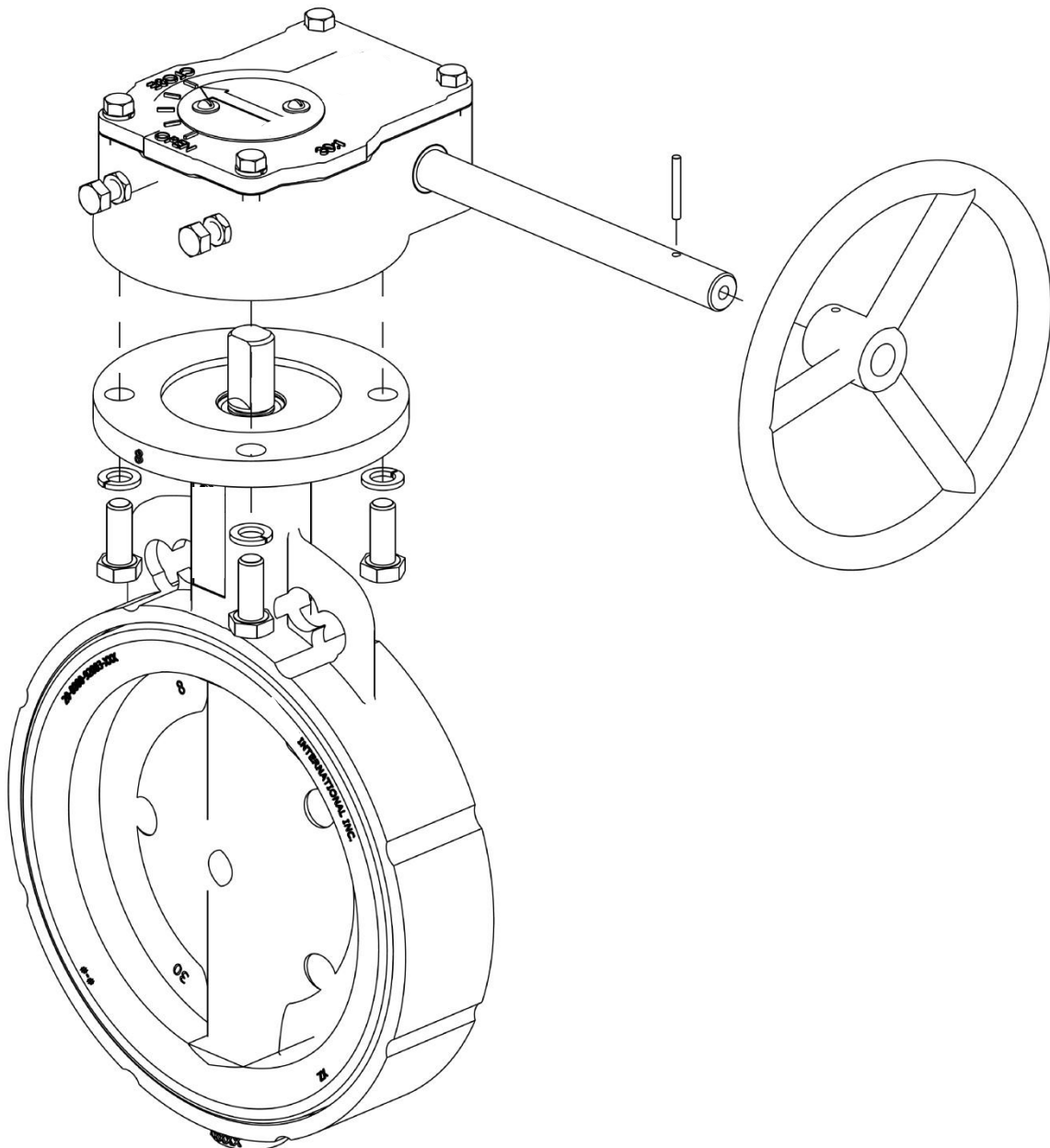
DN

ISO  
5211

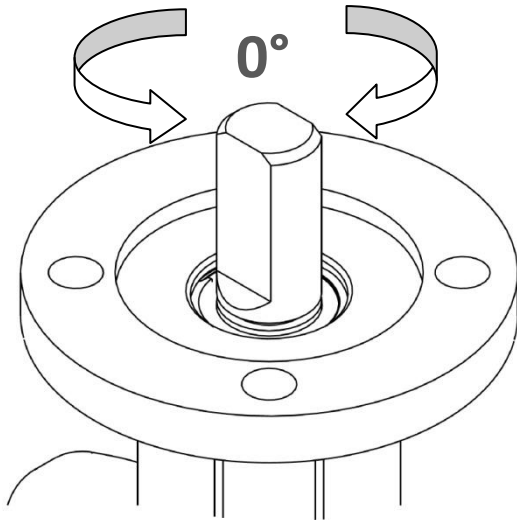


917-0300-000	250 .. 300	F 12	4x	M 12	1	1
917-0400-000	350 .. 400	F 12	4x	M 12	1	1
917-0500-000	450 .. 500	F 16	4x	M 20	1	1

2

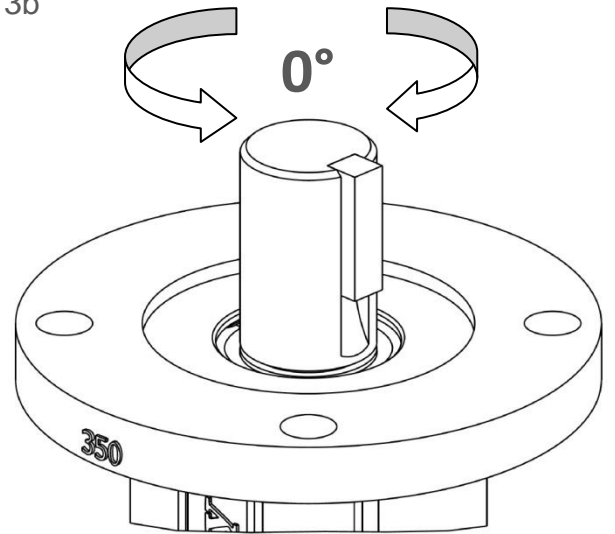


3a



DN 250 .. DN 300

3b



DN 350 .. DN 500

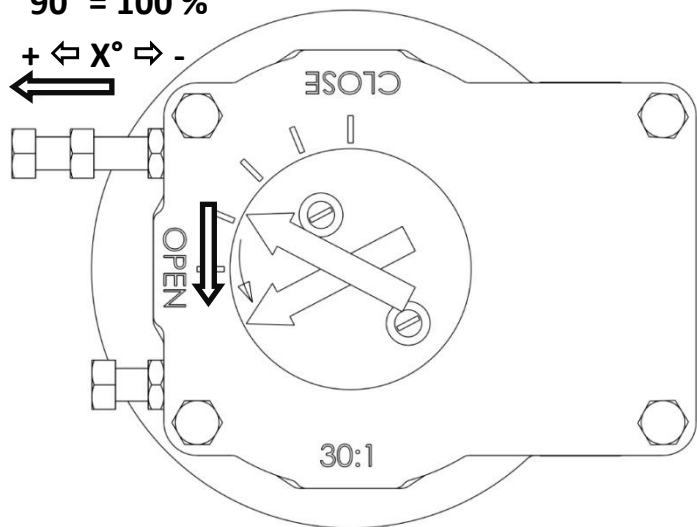
4

DN	VF2x9W-xxxCN	917-0x000-000	
250 .. 300			917-0300-000
350 .. 400			917-0400-000
450 .. 500			917-0500-000

5 Open position end-stop adjustment

90° = 100 %

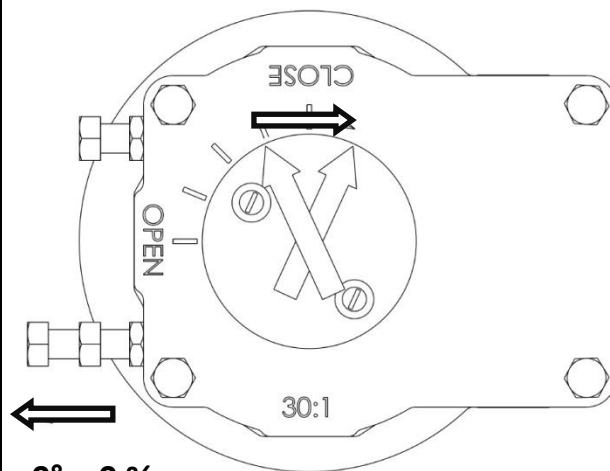
+ ← X° → -



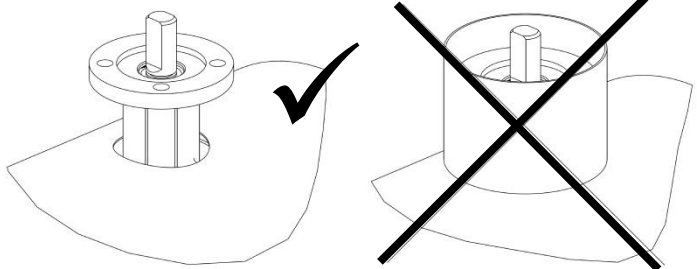
6 Closed position end stop adjustment

0° = 0 %

- ← X° → +



7



BGY-000208

## Schneider Electric

Malmö, Sweden +46 40 38 68 50

Rockford, IL +1 888 444 1311

Singapore +65 6776 3166

<http://www.schneider-electric.com/buildings>